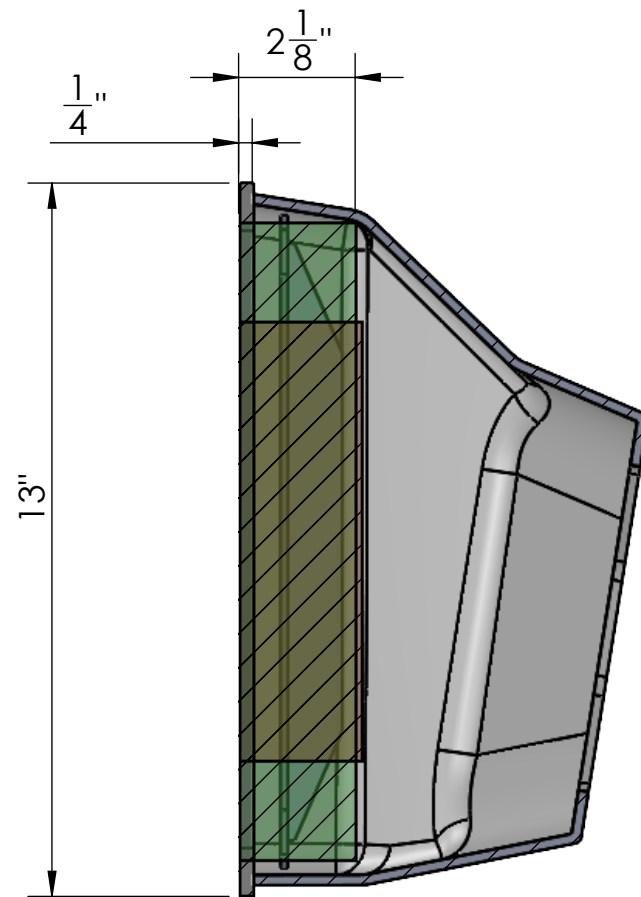
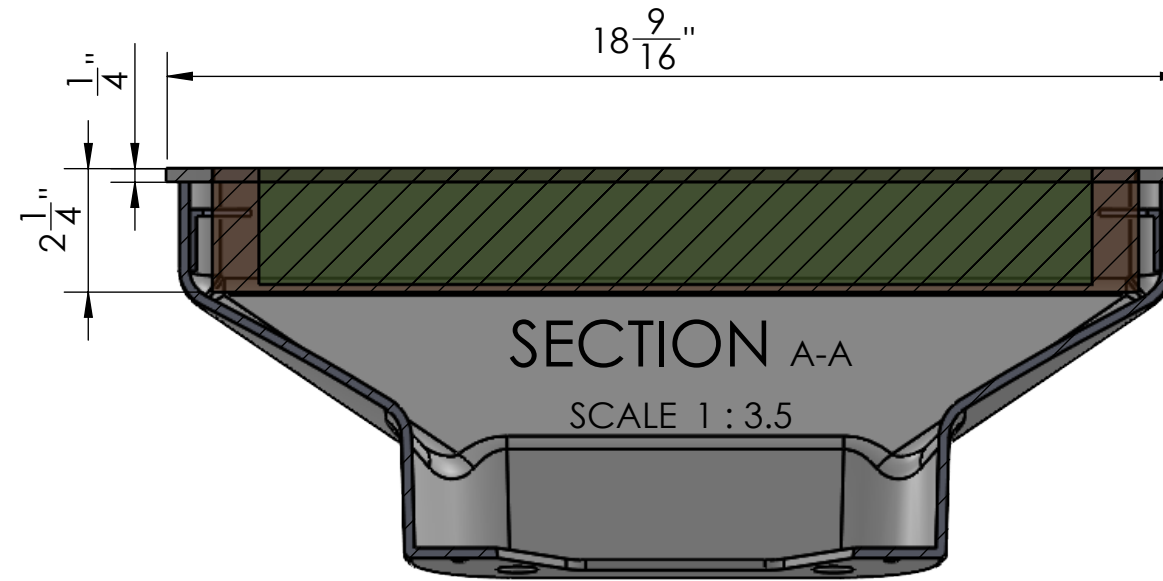
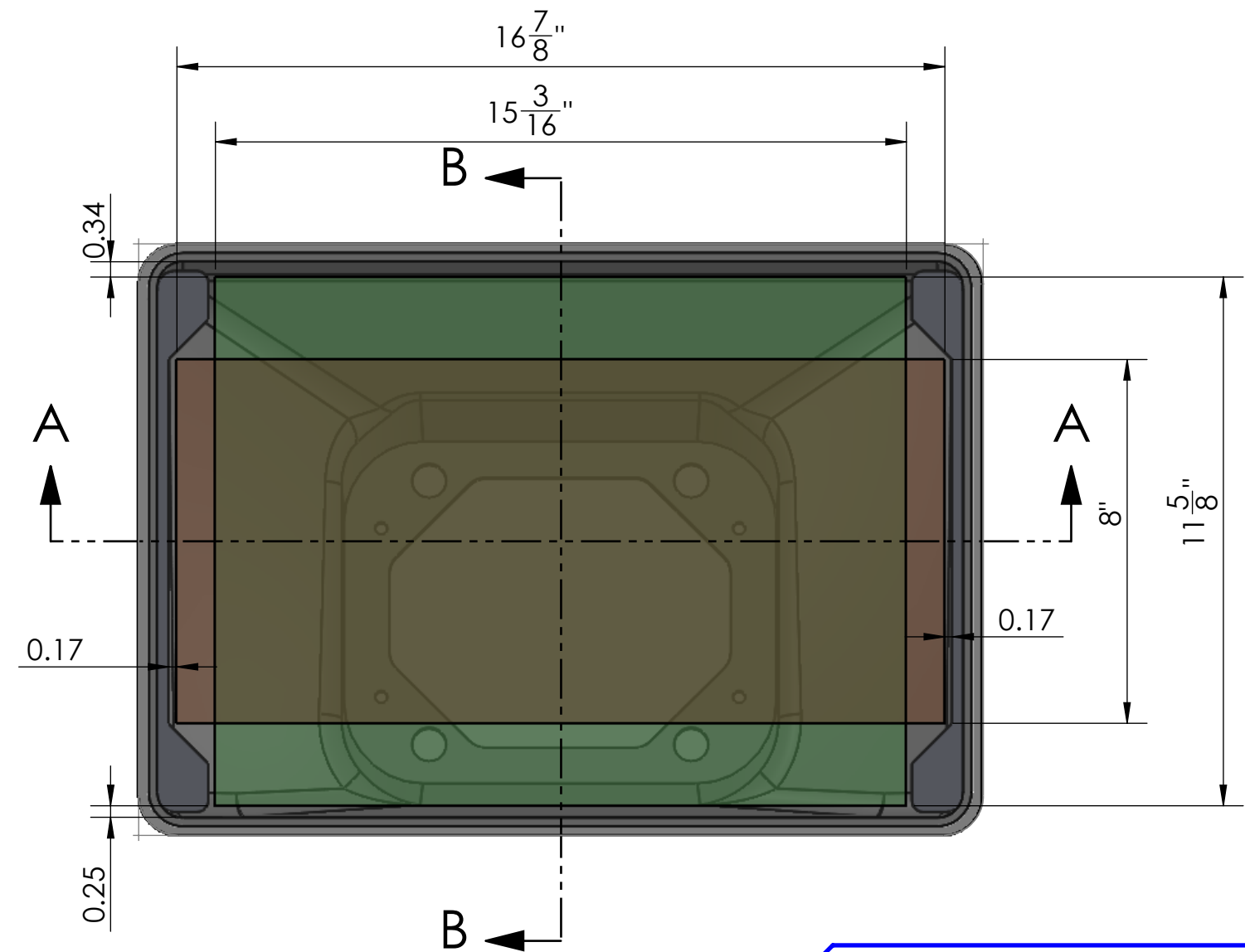


Drawing illustrates maximum allowable cutouts in the starboard top for electronic equipment installation. Depth measurements represent maximum allowable depths at edge of mounting windows.



SECTION B-B
SCALE 1 : 3.5



TOLERANCES (unless noted in drawing)
Fractional Dimensions: +/- 1/64"
Two place Decimals: +/- .010"
Three place Decimals: +/- .005"

EDSON EDSON Corporation
 146 Duchaine Boulevard
 New Bedford, MA 02745-1292
 (508) 995-9711 Fax: (508) 995-5021

Quest Pedestal Head, Max Cutout Dimensions

All Designs are confidential and remain the property of the Edson Corporation. Any use of Edson's proprietary information must be approved by Edson International. Violation will be prosecuted under the 'Economic Espionage Act of 1996'

First Issue 1/15/2025

Scale	Drawn By	Drawing Number
-	MLZ	49901C
Date		
Jan 15, 2025		