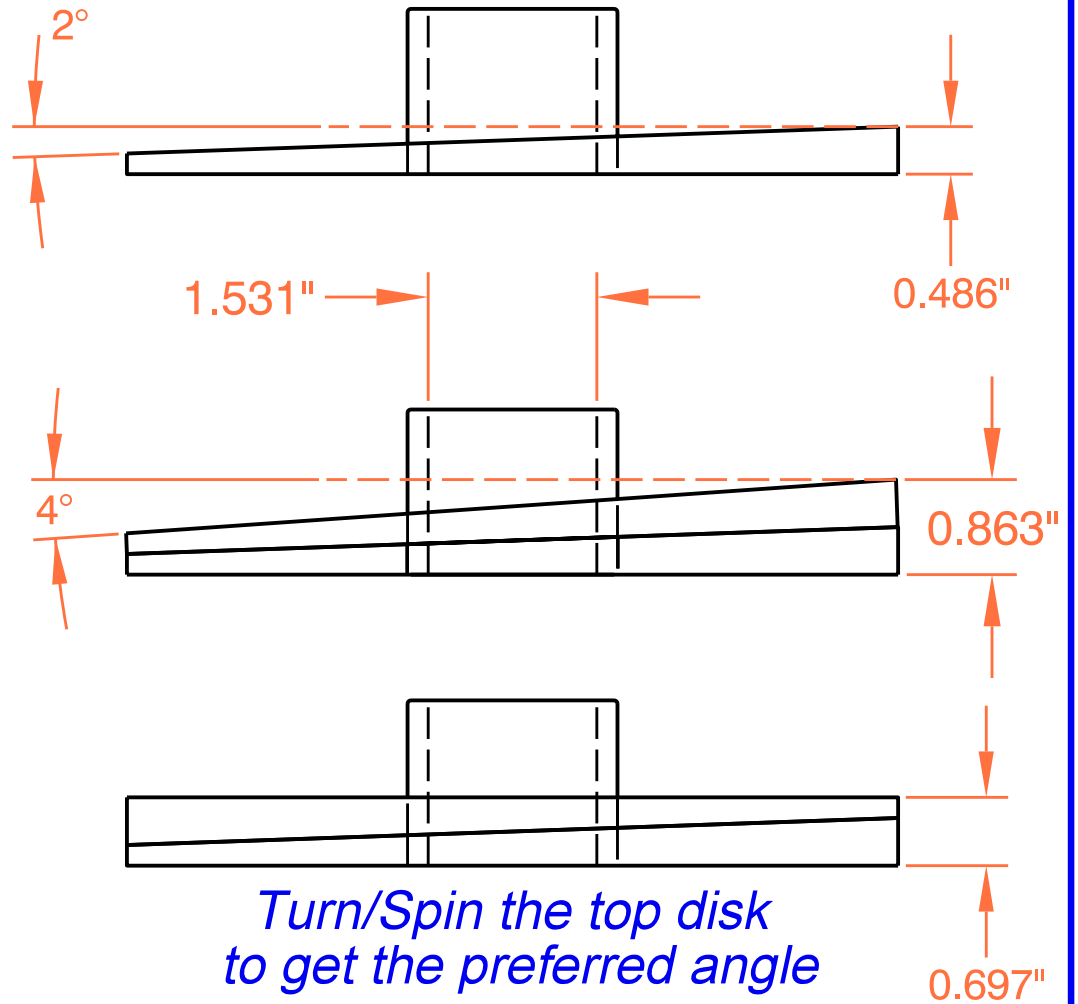


Top View



*Turn/Spin the top disk  
to get the preferred angle*

Side Views