

Key Information for Ordering a Carbonautica Wheel

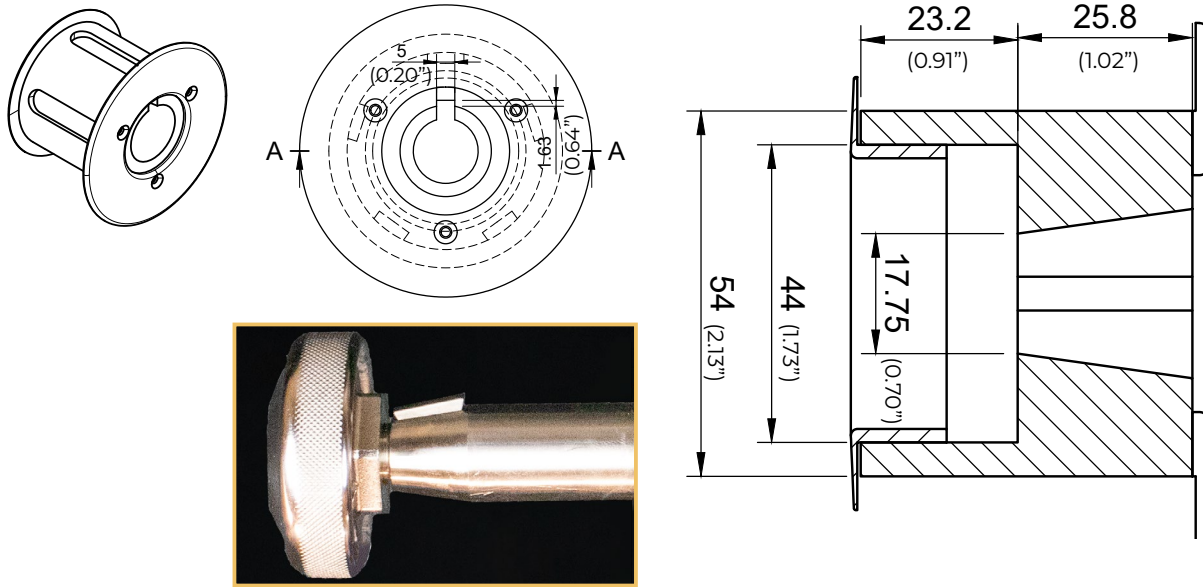
1. The diameter of the wheel
2. Straight or tapered hub
3. Standard or slim hub thickness
4. Material and color of the wheel
5. Deciding to replace the brake knob

Content

Pg 2	Tapered and Straight Hubs
Pg 3	Standard and Slim Hubs
Pg 4	Styles, Colors, Brake Knobs
Pg 5	Order Form
Pg 6	Pricing and Lead Times

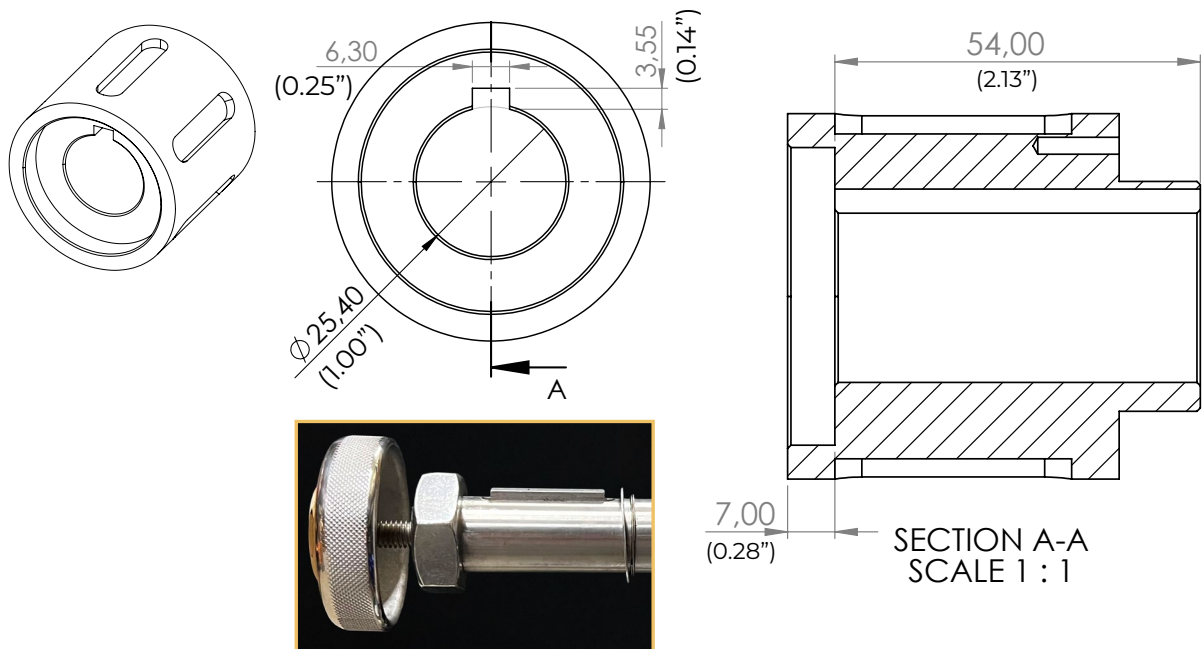
Accessories are available for Carbonautica wheels separately
Email info@edsonmarine.com to find out about wheel covers and hub covers.

Tapered Hub



Tapered hubs are standard for carbonautica wheels.

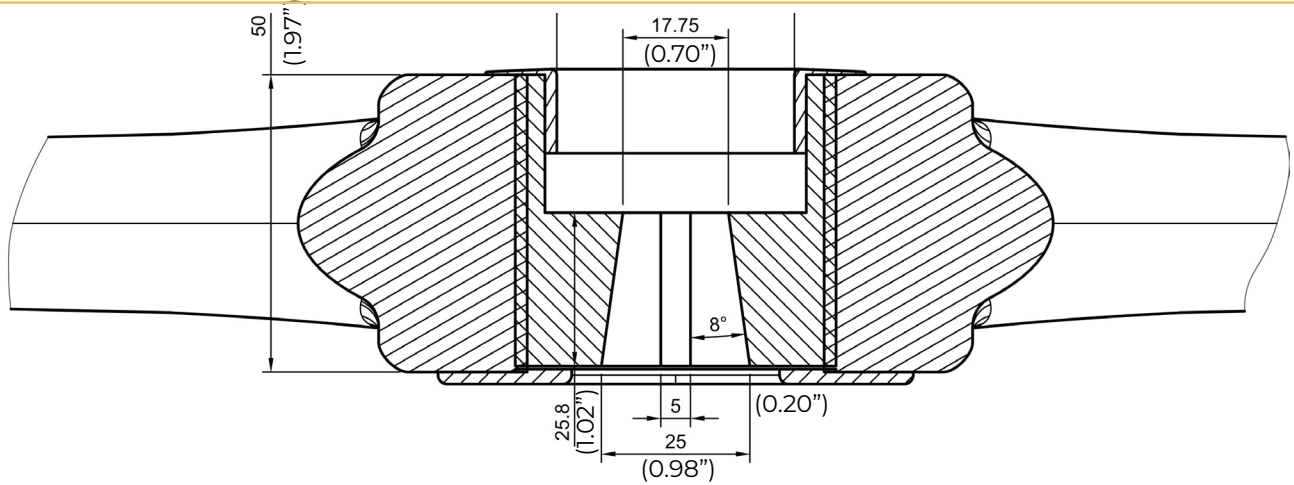
Straight Hub



Straight hubs are special order for 1" wheel shafts with 1/4" key ways.

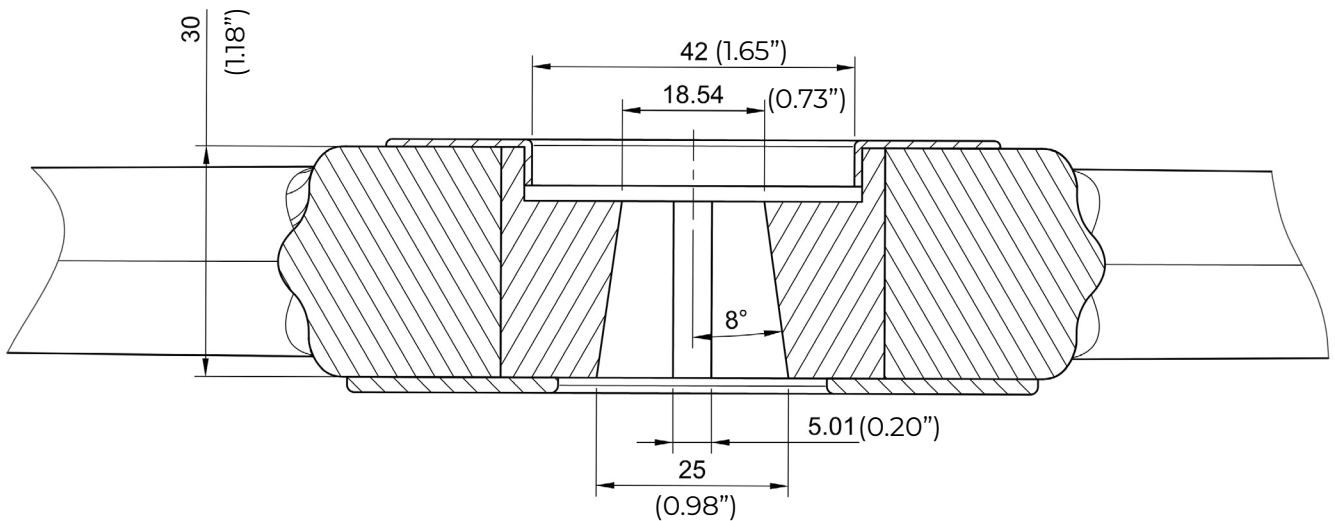
**Dimensions are in mm and dimensions in () are in inches.

Standard Hub



Standard hubs are available on all carbonautica wheels in tapered or straight.

Slim Hub



Slim hubs are only available on wheel sizes 800mm and 900mm, and only available as tapered.

**Dimensions are in mm and dimensions in () are in inches.

Styles



Sport



5 Spoke



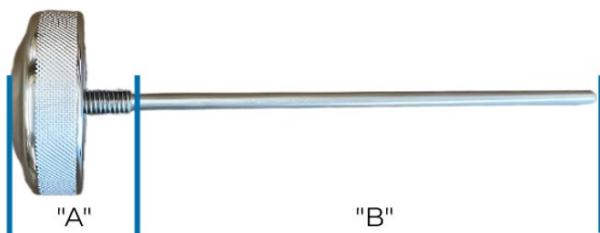
3 Spoke

Custom Colors (*GFC wheels only*)

Black and white are standard colors. For custom colors, any number from RAL classic 1000-9023 can be chosen for an additional fee. RAL colors are defined by a 4 digit code. For example the standard white is 9003 and black is 9005. Using the [RAL color chart](#) sort the middle drop down "All colour palettes" to RAL classic.

Colors seen on screen may vary with the color on the wheel.

Brake Knob and Shaft



960-G-230-A (\$143): "A" = 1-5/8", "B" varies
960-G-230-B (\$163): "A" = 3-3/8", "B" varies
960-G-230-J (\$120): "A" = 2-5/8", "B" varies

If you currently have the brake knob shown on the left where "A" has a length of 1-5/8" you will need a new brake knob and shaft. The Carbonautica wheels have a deeper hub so longer threads are needed to engage the brake. Measure "B" on your current brake knob and shaft and list it on the form on the next page. The specifications of the compatible brake knob and shaft are shown to the left on part 960-G-230-J. Threads fit shafts on Edson pedestals.

Order Details Order online or submit to info@edsonmarine.com when placing your order

















Customer Name: _____

Company Name (If Applicable): _____

Phone: _____

Email: _____

Available size and style options

Size mm	Sport	5 Spoke	3 Spoke
800mm(31.5in)			
900mm(35.5in)			
1000mm(39.4in)			
1100mm(43.3in)			
1200mm(47.3in)			
1400mm(55.2in)			
1500mm(59.1in)			
1600mm(63in)			
1700mm(67in)			

Wheels over 1200mm must ship by truck.

Carbonautica Wheel Specifications *(Refer to pg 6 for pricing and lead times)*

Material:	Carbon Fiber <i>(No color, clear coated)</i>	Glass Fiber Composite <i>(Specify color below)</i>	
Size mm:	_____		
Style:	Sport	5 Spoke	3 Spoke
Hub:	Tapered	Straight <i>(1in)</i>	<i>(Refer to pg 2 and 3 for hub details)</i>
Hub Size:	Standard	Slim <i>(800mm & 900mm tapered only)</i>	
Color:	White	Black	Custom RAL

Brake Knob and Shaft *(Refer to pg 4 for specifications)*

Add 960-G-230-J (\$120) to the order? Yes No "B" - Length _____
This option is for Edson helmets with a through shaft brake only

Pricing

GFC Wheel Pricing		Carbon Fiber Wheel Pricing	
mm (inches)	Price	mm (inches)	Price
800 (31.50)	\$906	800 (31.50)	\$2,106
900 (35.43)	\$955	900 (35.43)	\$2,205
1000 (39.37)	\$1,018	1000 (39.37)	\$2,289
1100 (43.31)	\$1,276	1100 (43.31)	\$2,570
1200 (47.24)	\$1,424	1200 (47.24)	\$2,752
1400 (55.12)	\$2,082	1400 (55.12)	\$3,124
1500 (59.06)	\$2,205	1500 (59.06)	\$3,304
1600 (62.99)	\$2,446	1600 (62.99)	\$3,487
1700 (66.93)	\$2,610	1700 (66.93)	\$3,615

Straight Hub: Add \$100

Custom RAL Color: Add \$60

800mm and 900mm GFC black and white tapered carbonautica wheels are typically in stock and ready to ship in 3-4 days. For wheels outside those specs please allow 3-4 weeks for delivery. For pricing on wheels with slim-style hub please contact us at info@edsonmarine.com with this worksheet filled out and attached to the email. Please review your order for compatibility to the helm before submitting.

All wheel sales are final. Pricing subject to change without notice.