

Steering Pedestal Shaft/Bearing Removal For 336 Model

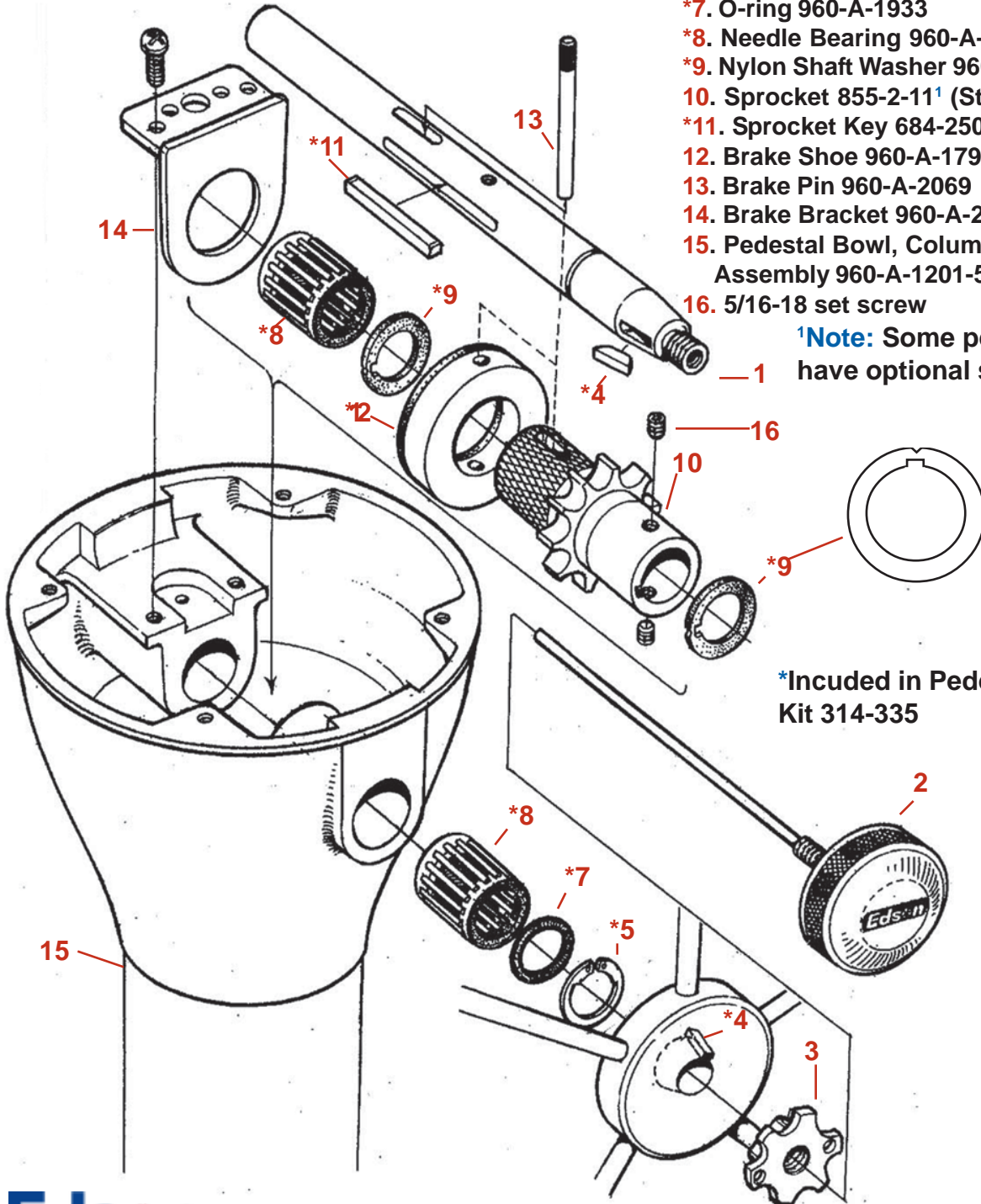
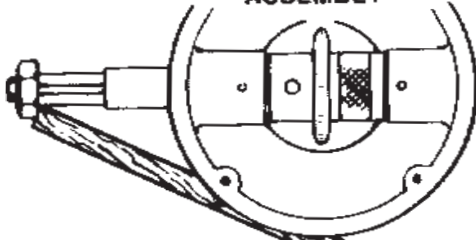
1. Remove brake knob/shaft assembly, steering wheel, compass, and engine controls. This will provide better access to the shaft assembly.
2. Loosen the steering cables and chain by backing off the take-up eyes at the Quadrant or Radial Drive, lift the chain off the sprocket and tie to the forward part of the bowl. Be sure to maintain the chain orientation for reinstallation. **Note:** Some installations require the steering cables to be crossed for proper steering direction.
3. Stuff a rag just under the sprocket into the pedestal tube to prevent loose parts from falling into the pedestal tube.
4. Using a drift or punch, drive out the pin (13) from the brake collar. **Hint:** Drive out from the pin end which is recessed into the brake collar (12). Drive pin halfway out, rotate the shaft so that the pin is up, pull pin from the brake collar using vice-grip pliers.
5. Remove the two allen head set screws that hold the sprocket to the shaft.
6. Align the notch in edge of the aft nylon washer (9) with the mark stamped on the sprocket (10). On a brass sprocket you will find a "V" stamped on the aft end of the sprocket hub. On stainless sprockets you will find an "Edson" logo with arrow. Aligning the mark on the sprocket with the notch in the washer aligns the the key in the shaft with the keyway in the nylon washer to allow shaft to be removed.
7. With a piece of wood against the wheel nut (3), gently tap the wheel shaft from the housing (see illustration); be careful not to drop the shaft components into the pedestal.
8. Remove the sprocket, two nylon washers and forward needle bearing.
9. Remove aft needle bearing and washers.
10. Wipe out any dirt or old grease before reassembly.

To reassemble: Reverse the above procedure. Do not grease the bearings until reassembly is complete. Lubricate the bearings by inserting the nozzle of a tube of Teflon grease into the hole in the casting above the bearing and squeezing the tube as you rotate the shaft. Don't forget to remove the rag and re-tension the steering cables.

336 Pedestal Parts List

EB424 pg2

REMOVING SHAFT ASSEMBLY



1. Wheel Shaft 960-A-2047 (Tapered)
960-A-2113 (Straight)
2. Brake Knob and Shaft Assembly
960-G-230-A
3. Wheel Nut 960-A-2105 (Tapered)
960-A-2045 (Straight)
- *4. Wheel Key 684-187W (Tapered)
684-250W (Straight)
- *5. Snap Ring (2) 960-A-660
- *6. Shaft Washer 960-A-729 (not shown)
- *7. O-ring 960-A-1933
- *8. Needle Bearing 960-A-140-1.1
- *9. Nylon Shaft Washer 960-A-137
10. Sprocket 855-2-11¹ (Standard)
- *11. Sprocket Key 684-250W
12. Brake Shoe 960-A-1793
13. Brake Pin 960-A-2069
14. Brake Bracket 960-A-2046
15. Pedestal Bowl, Column, Base
Assembly 960-A-1201-5
16. 5/16-18 set screw

¹Note: Some pedestals may have optional size sprocket.

*Included in Pedestal Rebuild Kit 314-335