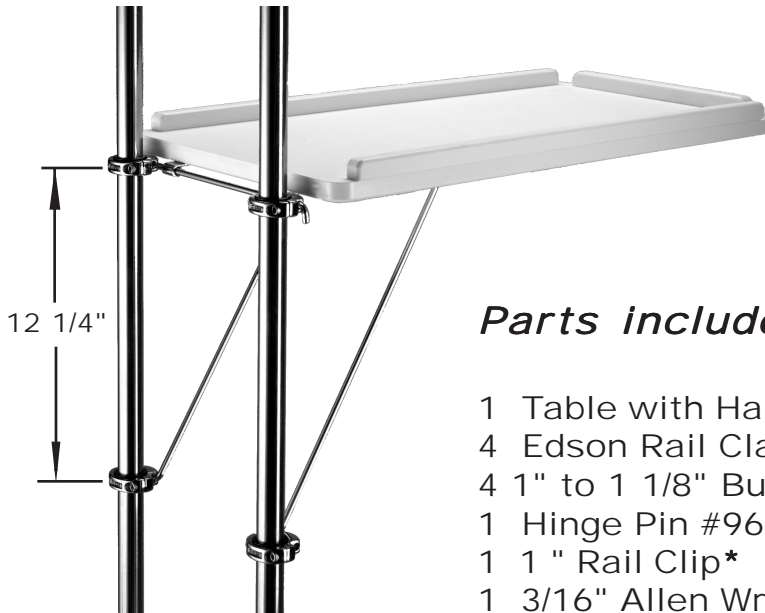




Table Installation

For 761 Luncheon or 737 Dropleaf Tables



Parts included:

- 1 Table with Hardware Attached
- 4 Edson Rail Clamps #860-100
- 4 1" to 1 1/8" Bushings #960-A-1984*
- 1 Hinge Pin #960-A-1309LG
- 1 1" Rail Clip*
- 1 3/16" Allen Wrench

Assemble the clamps #860-100 around the pedestal guard tubes. Two clamps on each tube 12 1/4" apart with the horizontal holes forward.

Slide the Hinge Pin, #960-A-1309LG through a clamp then through the hinge straps on the table and then through the clamp on the other rail. Lift the table and insert the ends of the wire form support into the lower clamps.

Table height and angle can be adjusted by moving the clamps up or down on the guard.

***Note:**

When attaching the clamps to 1" tubes use the #960-A-1984 split bushings, and change the rail clip from the 1 1/8" to the smaller size for 1" tubes.



www.edsonintl.com e-mail: info@edsonintl.com

146 DUCHAINE BLVD, NEW BEDFORD, MA. 02745-1292 Tel. 508-995-9711 FAX 508-995-5021