



Sailboat Steering Systems and Wheels



www.edsonmarine.com



Electronics Mounting Systems

Our complete line of Navcom Mounts, Instrument Housings and Accessories allow you to mount your Radar, Chartplotter, GPS, Satellite Domes, Cameras, Search Lights, Antennas and more on your sail or power boat.

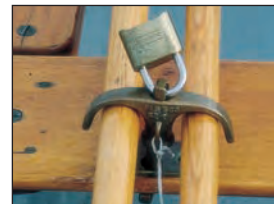
For more information visit edsonmarine.com/navcom or request our Marine Electronics Mounting Systems catalog.



Boating Accessories

Edson's selection of boating accessories for power or sail make your time on the water safer and more enjoyable for the whole family. From convenience items like Boarding Steps to simple luxuries like Leather Wheel Covers, we've got hundreds of products for your boat.

For more information visit edsonmarine.com or request our Boating Accessories catalog.



Marine Pumps and Pump Out Systems

Since 1859, Edson has built pumps for marine use. From the very first Diaphragm pump to our modern pump out systems, we offer a full selection of pump and pumping products for your boat or marina.

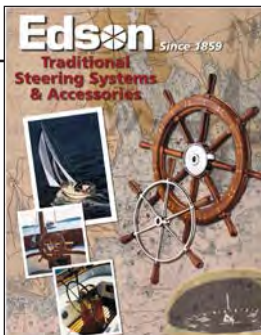
For more information visit edsonmarine.com/pumps or request our Pump Out Systems Catalog.





Powerboat Wheels & Accessories

Our full line of Powerboat Wheels, Power Knobs, Drink Holders and Accessories are regarded as the finest in the industry and will add style and elegance to any powerboat.
For more information visit edsonmarine.com or request our Powerboat Products Catalog



Traditional Yacht Wheels and Systems

Edson's Traditional Steering Systems and Accessories catalog offers a host of gear for the traditional sailboat. Worm Gears, Rack and Pinion Steerers, Teak and Bronze Steering Wheels. Also included are Edson's Traditional Bronze Housemarkers and a host of Accessories for the traditional boatowner.
For more information visit edsonmarine.com/traditional



BioFresh Environmental Products

Edson BioFresh products contain naturally occurring, beneficial microbes that break down and consume oils, gas, grease, diesel fuel and human & animal waste found in bilges, marinas, lakes and rivers. Holding Tank Packets, Oil Eradicator Bilge Pads, Booms and Clean Up Kits all help keep your boat naturally clean and odor free - while protecting our environment from harsh chemicals.
For more information visit edsonmarine.com/biofresh



EDSON®

- Over 150 Years of Yacht Steering Expertise
- Systems for boats 18' - 200'
- Geared, Chain & Wire and Traditional Systems for any type of boat.
- Racing and Cruising systems
- Highest quality engineering and craftsmanship
- Built to withstand the rigors of serious offshore voyaging
- Full Engineering and Design services
- Custom Systems for all types of boats

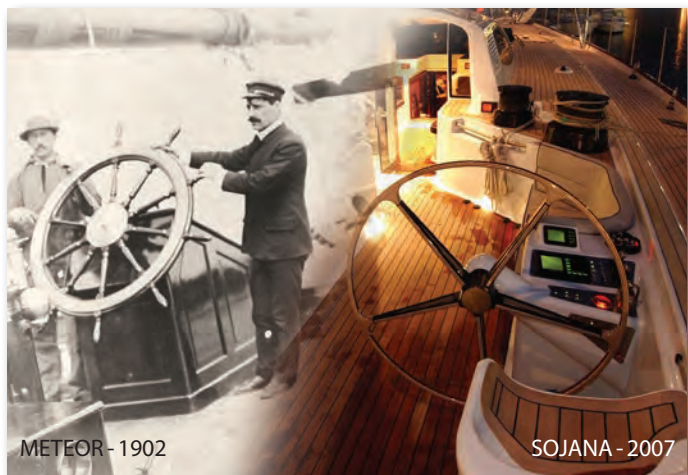


Rely on Edson's 150 Years of Steering Experience...

Edson has extensive experience in designing and manufacturing Steering Systems for all types of sailboats from 18' daysailors to 200' megayachts. By being involved in the early stages of your boat's design, we can provide you with the best system to meet your needs. You tell us about your boat, we'll show you how to steer it!



For production sailboats, start with a Steering Data Sheet. Edson has the designs and components for over 2400 steering systems to fit virtually all the production sailboats ever built. Visit www.edsonmarine.com to download yours!



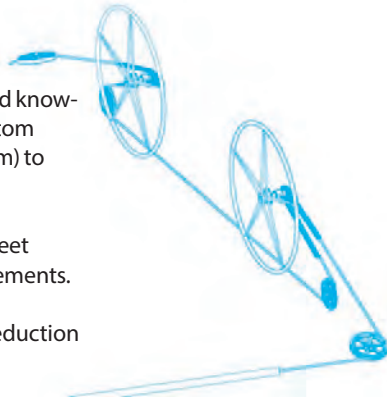
Edson Wheels graced the world's finest yachts then... just as they do now.

Megayacht & Custom Systems

See Page 6-7

Edson has the experience and know-how to design and build custom systems for boats from 18'(5m) to 200'(60m) and up.

- Custom Wheels
- Fabricated quadrants to meet specific rudderload requirements.
- Megayacht systems.
- Multi-Speed and Geared reduction systems.
- Dual-Wheel Systems.

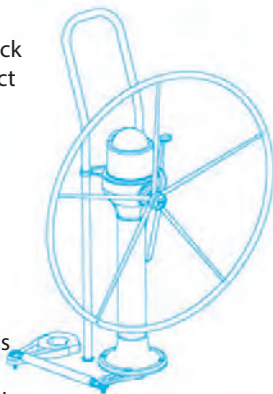


Geared CD-i Systems

See Pages 10-11

Edson's updated version of the classic rack and pinion system utilizes a simple, direct linkage from tiller to wheel.

- Exceptional feel
- Easy installation.
- For boats up to 50' (15.25m).
- Classic, Vision Series™ and Internal Pedestal designs available.
- Large variety of Wheels and Accessories.
- Highest quality marine-grade stainless and aluminum components.
- Tiller-to-wheel conversion kits available.

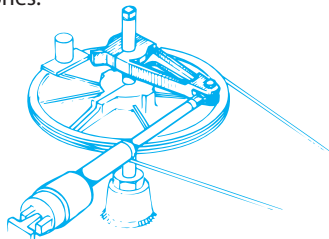


Steering Components & Accessories

See Pages 28-39

Enhance your steering with our full selection of components and accessories.

- Autopilot Tiller Arms
- Engine Controls
- Pedestal Guards
- Wheel Brakes
- Compasses

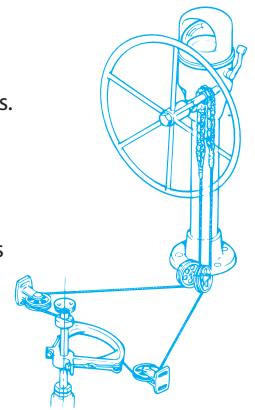


Chain & Wire Systems

See Pages 12-27

Time-Proven, reliable system that has been used on thousands of boats for over 80 years.

- Classic, Vision Series™ and Internal Pedestal designs available.
- Quadrant, Radial Drive™ and Center Cockpit Installations.
- Adjustable, easily maintained, spare parts readily available worldwide.
- Most versatile system.
- Large variety of Wheels and Accessories.
- Highest quality marine-grade stainless, bronze and aluminum components.
- Tiller-to-wheel conversion kits available.
- Designs for over 3000 sailboats.

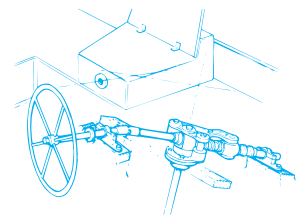


Traditional Systems

See Pages 40-41

If you are building or refinishing a classic yacht, Edson's Traditional Wheels and Geared Steerers are still available, but constructed of modern materials and methods which were not available when first built.

- Worm Gear Steerers
- Rack & Pinion Steerers
- Traditional Ships Wheels

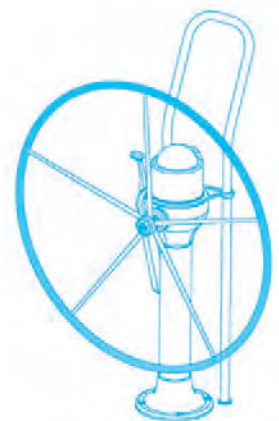


Steering Wheels and Accessories

See Pages 42-51

Edson's selection of yacht wheels add distinction and value to any boat. A large variety of sizes and styles will fit the look of your boat no matter what the style.

- Stainless Destroyer Wheels
- Teak Rim Wheels
- Bi-Spoke Wheels
- Custom Carbon/Wood Laminate Wheels
- Traditional Yacht Wheels
- Wheel Accessories

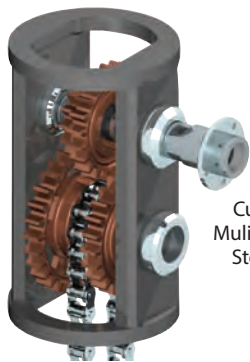
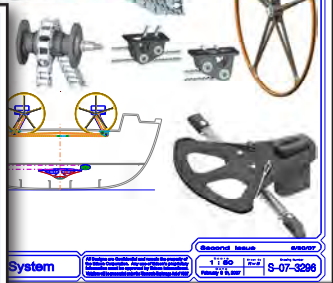
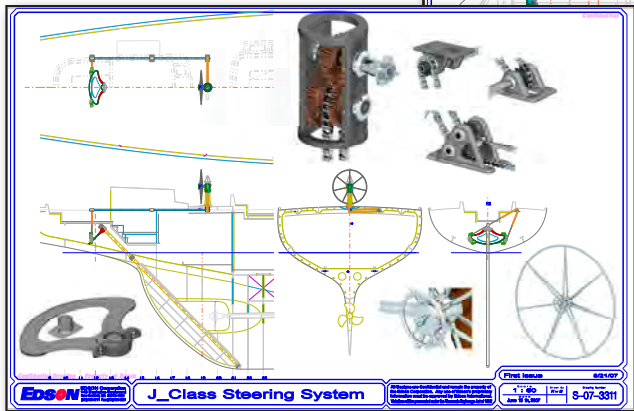
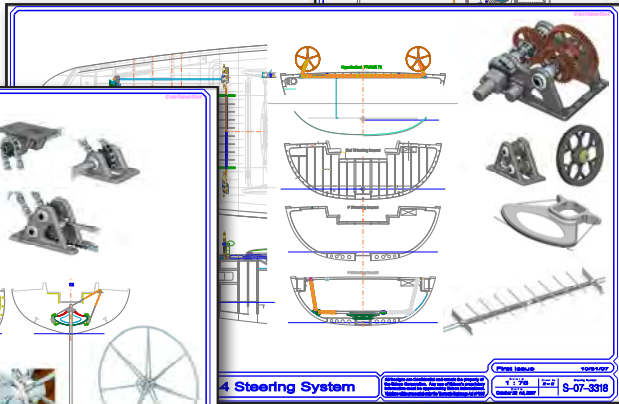


"Steer a 140 footer with your fingertips? You bet. Edson's Multi-Mode steerer brings the feel and sensitivity of a 40' boat to a maxi."

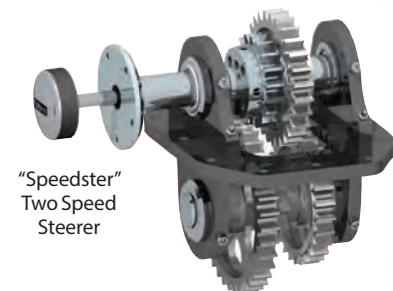
Bill Tripp - Designer - Mystere



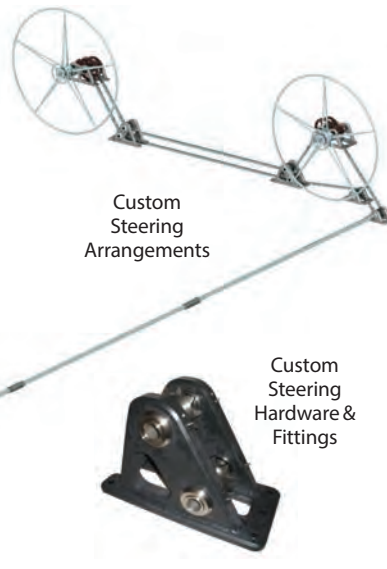
Tripp/Vitters 141 Mystere



Custom Multi-Mode Steerers



"Speedster" Two Speed Steerer



Custom Steering Arrangements



Custom Steering Hardware & Fittings

- Custom Steering Wheels
- Steering Systems for Yachts up to 200'
- Mechanical "Multi-Mode" steering systems give feel and feedback to the helm.
- Zero-Backlash Engineered Systems give direct, positive steering control.
- Custom Steering Components engineered specifically for the high loads found in Mega Yachts.



Baltic 152 Pink Gin



Visit www.edsonwheels.com to view or request your copy of Edson's Distinctive Wheels Catalog.



Custom Steering Wheels



GO TO

For a complete quote contact Edson Customer Service at 1-508-995-9711.



Vitters 180 - Adele

The Classic Series™

- Classic Yacht Design Increases Usable Cockpit Space.
- Convenient Thru-Shaft Wheel Brake.
- Available in CD-i Geared or Chain & Wire.
- For Sailboats from 22' (6.7 m) and up.
- Durable Glossy White Baked-on Urethane Finish.
- Stainless Wheel Shafts and Sprockets.**
- Three Guard Styles Available.
- Stainless Needle Bearings.
- Large Selection of Edson Accessories such as Pedestal Guards, Instrument Housings, Drink Holders and Tables.
- Stainless Wheel Nut Included.
- All Non-Magnetic Construction.
- Hex Head Recesses in Base hold Edson's Aluminum Bolts for Easy One-Person Installation.
- Pedestal Top Pre-Drilled for Compass and Pedestal Guard Top Plates.
- Accepts all Styles of Edson Wheels.

** Standard sprocket sizes are stainless, other sizes are brass



336 Series Pedestal

- 6 7/8" Diameter Top
- Ideal for Boats from 22' to 42' (6.7 m - 12.8 m).
- Thru-Shaft Brake Standard.
- Fits all compasses up to 5" Card Size.
- Replaces Edson's #334 & #335 Pedestals
- Available in Chain & Wire Only



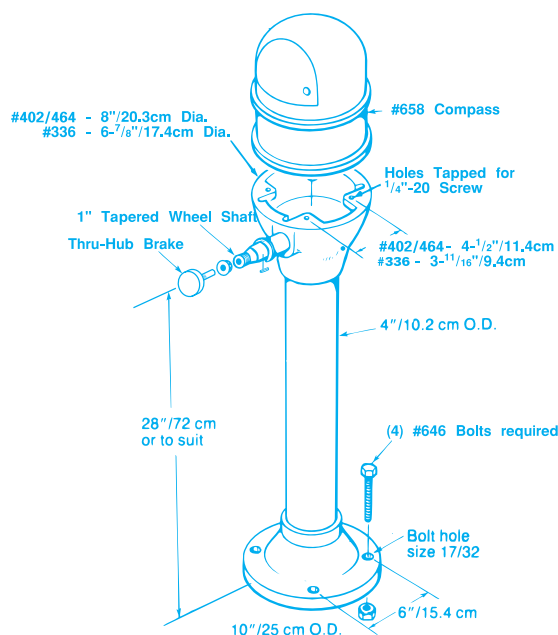
336 Series Classic Pedestal



402/464 Series Classic Pedestal

402/464 Series Pedestal

- 8" Diameter Top
- Large Diameter Pedestal Top with Triple Needle Bearings and Stainless Bearing Liners.
- Available in Chain & Wire or CDi Geared.
- Typically used on boats 40' and up.
- Thru-Shaft Brake Standard
- Wheel Brake with Stainless Knob Included
- Fits all compasses up to 6" Card size
- For use with Windvane Self Steerers



NOTE: Pedestals shown with optional accessories.



GO TO

For **Geared CD-i Steerer** ordering info see pages 10-11.

For **Chain & Wire Steerer** ordering info see pages 12-27.

The Vision Series™

- Four styles to choose from
- Allows mounting of engine controls, instrumentation and many electronics right in the console
- Fiberglass Console Head with Extruded Aluminum Column
- Available in CD-i Geared or Chain & Wire
- Convenient Thru-Shaft Wheel Brake
- Single-Lever Engine Control included
- Removable Head with Waterproof Gasket for Easy Service
- Durable White Powder Coating on Aluminum Column
- Integral 20" Guard Tube.
- Smooth Surface Design — No Mounting Bolts Showing
- Removable faceplates for easy instrument mounting and replacement

Vision II Pedestal

- Fits instruments with up to 9" diag screen
- Accommodates popular flush mount compasses with 4" card
- Compact footprint maximizes cockpit space
- Low Lean design puts instruments at fingertips
- 12.75" x 9" (32.4cm x 22.8cm) base
- Available in Chain & Wire only

Vision "NV" Pedestal

- Larger Improved Fiberglass Pedestal Head
- Fits Latest 12" Screen Instruments
- 15" x 10.25" faceplate
- Fits 5" Flush Mount Compasses
- Single Lever Side Mount Engine Control
- Thru-Shaft Brake System
- 10.5" x 14" (26.7cm x 35.6cm) base

Vision "MH" Pedestal

- Lower, horizontal faceplate angle
- 13.75" x 9.5" faceplate
- 10.5" x 14" (26.7cm x 35.6cm) base
- Optional Compass Bowl available

Vision "MA" Pedestal

- Largest console pedestal
- 16" x 13" faceplate
- 10.5" x 14" (26.7cm x 35.6cm) base
- Optional Compass Bowl available



The Vision II Pedestal



The Vision Series "NV" Pedestal



The Vision Series "MH" Pedestal
Optional Compass & Bowl shown



The Vision Series "MA" Pedestal
Optional Compass & Bowl shown

Edson's Wheel Pilot Installation Kit allows you to mount a Raymarine wheel mounted autopilot on an Edson Vision II (#476) Console Pedestal. It comes complete with all the necessary parts required for the installation, including fasteners and touch-up paint.



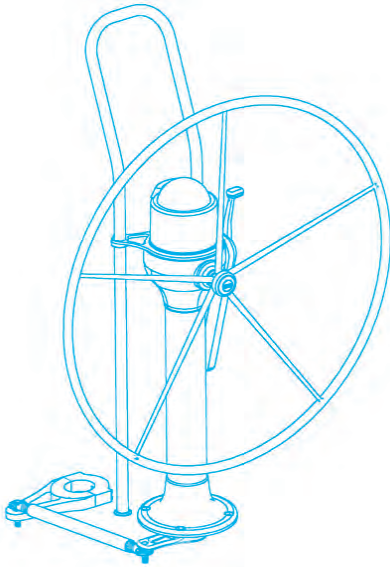
Edson Wheel Pilot Installation Kit -
Order #925-426V



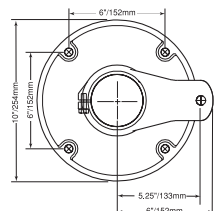
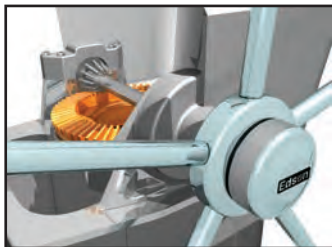
Visit www.edsonmarine.com for detailed pedestal dimension drawings.

CD-i™ Gearing Steering Systems

Edson's classic Rack and Pinion system utilizes a simple, direct linkage from tiller to wheel. All CDi Gearing Steerers feature exceptional feel, easy installation and a wide range of mounting options.



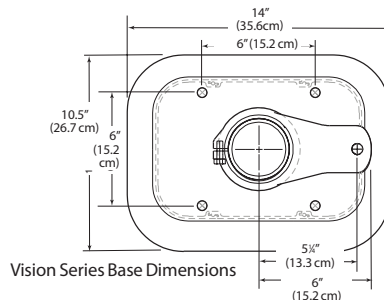
- For boats up to 50' (15.25m).
- Classic, Vision Series™ and Internal Pedestal designs available.
- Large variety of Wheels and Accessories.
- Highest quality marine-grade Stainless, Bronze and Aluminum components.
- Tiller-to-wheel conversion kits available.
- 360° Circular Rack Gear – 3 Times the Life Span of Conventional Rack Gears.
- 1.8 Wheel Turns Hard-Over to Hard-Over through 72° of rudder travel.
- Gleason Coniflex™ Gears for Ultra-High Strength.
- Gear teeth easily accessible for lubrication and inspection.
- Large 3¼"/83 mm Torque Tube for Superior Strength, Stiffness.
- Turnbuckle-Style Drag Link for Easy Adjustment.
- Large 3½"/89 mm Diameter Stainless Bearings for Long Life.
- CE Compliant.
- Low Maintenance.
- Tapered wheel shaft only.



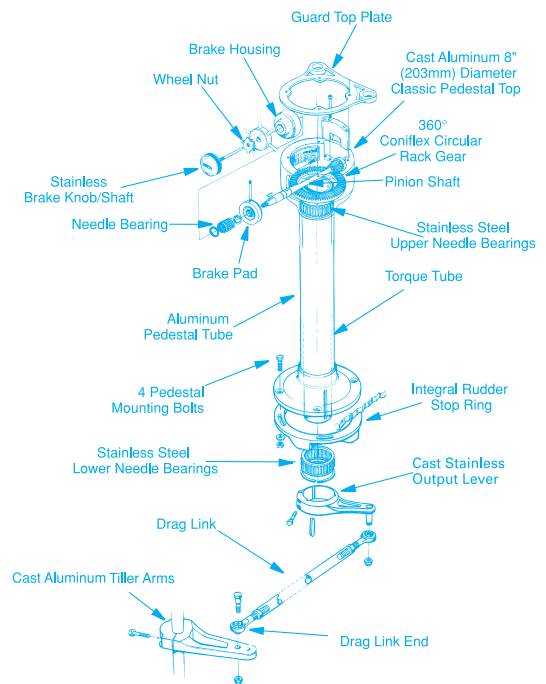
Classic Base Dimensions



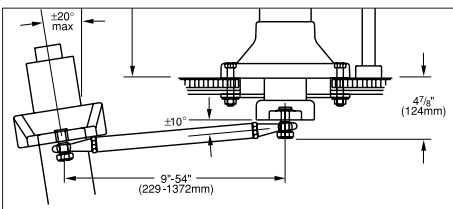
CD-i Below Deck Components



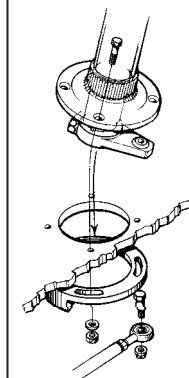
Vision Series Base Dimensions



Installation Requirements



Maximum Rudder Rake = 20° from Vertical
 Working Angle of Drag Link = ± 10° Max. from Horizontal with Rudder Amidships.
 Max. Rudder Torque Load = up to 3,400 ft. lbs. (467 mkg)
 Typical Installations Suitable for Aft Cockpit Sailboats up to 50 Feet LOA (15.25 m)



Rudder Stops and Edson's Stop Ring

Rudder Stops are a mandatory fitting for any steering arrangement. They insure that loads transmitted through the rudder never exceed the design limit of the steering pedestal and gear. Edson's Integral Stop Ring/Backing Plate provides an alternative to conventional rudder stops that is much simpler to install and adds additional reinforcement to the cockpit sole. All Edson Stop Rings are marked with angle-indicators for easy installation and adjustment and allow for 72° of total rudder travel. Note: Conventional rudder stops and cockpit reinforcement should still be installed in conjunction with the stop ring whenever possible.

ALL CD-i STEERING SYSTEMS COME COMPLETE WITH:

- Pedestal (including wheel shaft, gears and torque tube)
- Thru-Shaft Wheel Brake
- Output Lever machined to specs.
- Stop Ring
- Drag Link of appropriate length.
- Tiller Arm machined to specs.
- Contemporary Styling.
- Compact Design and Footprint.
- Vision Series Pedestals include Pedestal Guard and Single Lever Engine Control.

Add your choice of Edson Wheel and Accessories to complete your system.

CD-i Systems are available in Classic or Vision Series



Edson CDi Geared Steering Pedestal Selection Guide



Classic
Order #464-6T



Vision "NV"
Order #450-NV-T



Vision "MA"
Order #450-MA-T



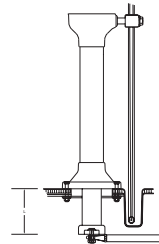
Vision "MH"
Order #450-MH-T



Visit www.edsonmarine.com for detailed pedestal dimension drawings.

Custom Design Options

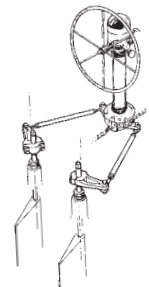
Today's modern racing and cruising designs don't have to be limited to production steering systems. With CD-i Steering System Components and the capabilities of Edson's design and manufacturing teams, boat builders and naval architects are limited only by their imaginations. Shown are just a few of the solutions Edson's Engineers have designed to accommodate custom installation requirements. If you have custom requirements, please contact Edson Customer Service at 508-995-9711.



Wheel Wells



Internal Console Steerer



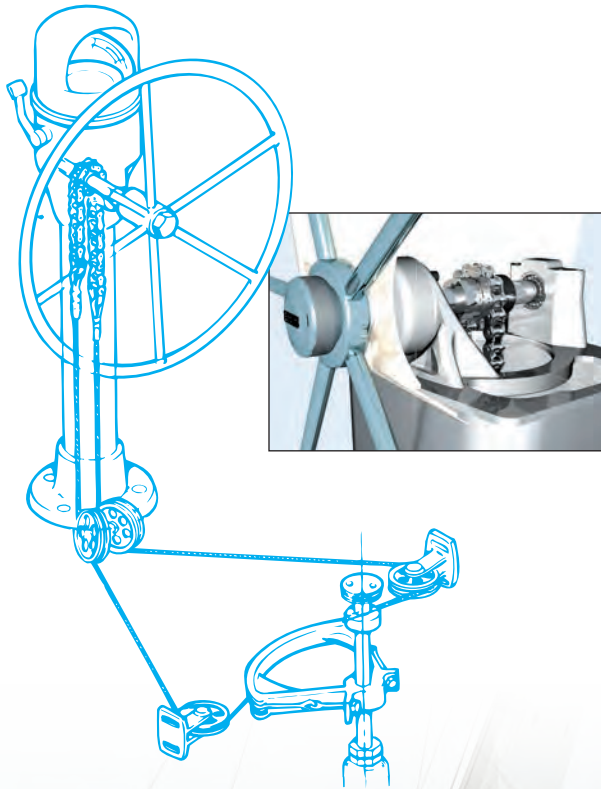
Twin Rudders

Pedestals shown with optional accessories. Instruments not included.

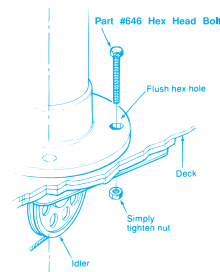
Chain & Wire Steering Systems

Edson's time-proven, reliable system that has been used on thousands of boats for over 80 years.

- Strong, dependable and time-proven design.
- Classic, Vision Series™ and Internal Pedestal designs available.
- Quadrant, Radial Drive™ and Center Cockpit Installations.
- Adjustable, easily maintained, spare parts readily available.
- For boats with rudderposts that have considerable rake.
- Most versatile system.
- Large variety of Wheels and Accessories.
- Highest quality marine-grade Stainless, Bronze and Aluminum components.
- Tiller-to-wheel conversion kits available.
- Designs for over 3000 boats.



Note: All Edson pedestals are designed to use Edson's exclusive Hex Head Aluminum Bolts. Pedestals built prior to February 1979 use flat head bolts. See page 33 for Mounting Bolts.



EDSON

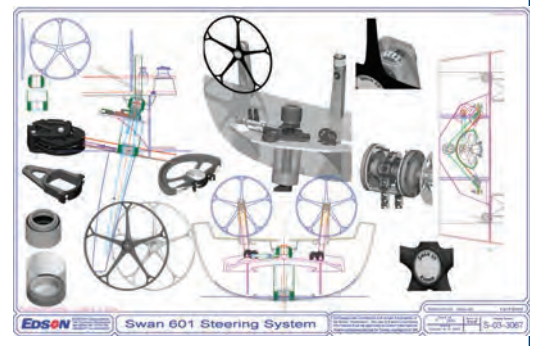
Chain & Wire
Steering Systems
Planning, Installation and
Maintenance Guide

For additional information on Chain and Wire Steering Systems, visit www.edsonmarine.com and download Edson's 10 page Engineering Bulletin #381: **CHAIN & WIRE STEERING SYSTEMS PLANNING, INSTALLATION AND MAINTENANCE GUIDE.**

www

Custom Design Options

Edson's Design Team has extensive experience in developing and manufacturing Steering Systems for all types of sailboats from daysailors to megayachts. Depend on us from the earliest design stages of the design process and we can help you develop a steering system custom tailored to your boat. If you have custom requirements, please contact Edson Customer Service at 508-995-9711 or info@edsonintl.com.





Chain & Wire Systems
are available in Classic or
Vision Series



Edson Chain & Wire Steering Pedestal Selection Guide



Classic
Order #336 or #402



Vision II
Order #476B-T



Vision "NV"
Order #490-MV-T



Vision "MH"
Order #490-MH-T



Vision "MA"
Order #490-MA-T

Pedestal Type	Order #	Compass Size	Chain Size	Sprocket Pitch	# of Teeth	Weight lbs	Weight kg
CLASSIC SERIES							
6-7/8" Top Diameter	336-5-211T*	5"	5/8	2.2"	11	15	6.8
	336-5-215T	5"	5/8	3.0"	15	15	6.8
	336-5-310T	5"	3/4	2.4"	10	16	7.3
8" Top Diameter	402-6-211T*	6"	5/8	2.2"	11	16	7.3
	402-6-215T	6"	5/8	3.0"	15	16	7.3
	402-6-310T	6"	3/4	2.4"	10	17	7.7
VISION SERIES							
Vision II - Compact Base (see IMPORTANT note below)	476B-211T*	4" or 5"	5/8	2.2"	11	58	26
	476B-215T	4" or 5"	5/8	3.0"	15	58	26
Vision Series -MV	490-NV-211T*	4" or 5"	5/8	2.2"	11	58	26
	490-NV-215T	4" or 5"	5/8	3.0"	15	58	26
	490-NV-310T	4" or 5"	3/4	2.4"	10	59	26
	Vision Series -MA	490-MA-211T*	4" or 5"	5/8	2.2"	11	60
490-MA-215T	490-MA-215T	4" or 5"	5/8	3.0"	15	60	27
	490-MA-310T	4" or 5"	3/4	2.4"	10	62	28
	Vision Series -MH	490-MH-211T*	4" or 5"	5/8	2.2"	11	60
490-MH-215T	490-MH-215T	4" or 5"	5/8	3.0"	15	60	27
	490-MH-310T	4" or 5"	3/4	2.4"	10	62	28

*Standard sprocket size unless otherwise requested
Straight Wheel Shafts are still available on special order. Contact Edson Customer Service.



Visit www.edsonmarine.com for detailed pedestal dimension drawings.

IMPORTANT: Vision II (#476) Pedestal requires a special compact idler. Please see page 21 for ordering information. Contact customer service for details.

Note: Some pedestals shown with optional accessories. Wheels and instruments not included.

Edson 420 Bulkhead Steerers

Designed for boats with built-in pedestal consoles, Edson's new Bulkhead Steerer features easy installation, Edson's super-sensitive Stainless Needle Bearings, a Thru-Shaft Wheel Brake, all-stainless construction and the ability to mount a Wheel Flange Adapter.

- Integral Thru-Shaft Wheel Brake with Stainless Knob.
- Easily Installed.
- Non-Magnetic Materials.
- Stainless Wheel Shaft.
- Type 316L Stainless Housing, Faceplate and Sprocket.
- Large Selection of Chain and Sprocket Sizes available.
- Optional Wheel Flange available.
- Pre-installed Threaded Studs for easy installation.
- Metric Mounting Studs upon request.
- Stainless Backing Plate Included.
- Accepts all Edson Wheels.
- Ideal for multi-hulls and twin wheel configurations.
- Bulkhead Gasket Included
- CE Compliant.



#420 Stainless Bulkhead Steerer



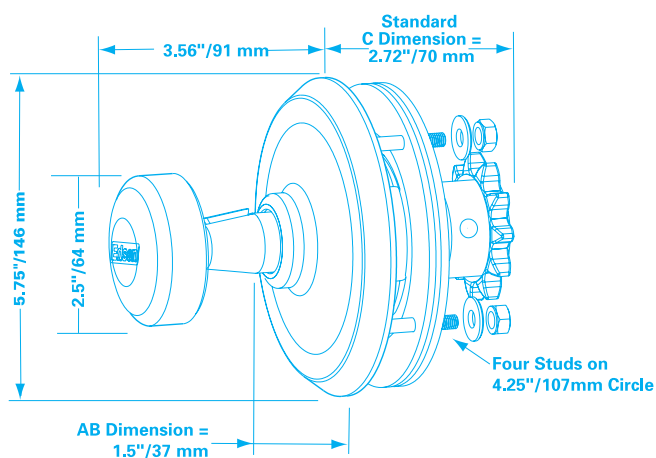
Tech Tip

'C' dimensions are standard lengths. Custom lengths are available. Contact Edson for additional information.



Photo © 2006 Spirit Yachts Ltd. All Rights Reserved

Edson's #420 Steerer is ideal for use in custom or integral pedestals. The Spirit 54 relies on Edson's Bulkhead Steerer to compliment her classic styling.



BULKHEAD STEERER ORDERING INFORMATION

Steerer Type	Product #	Chain Size	Sprocket Pitch	No of Teeth	Weight lbs	Weight kg
Stainless Bulkhead	420-2-11T*	5/8"	2.2"	11	7	3.2
Tapered Shaft with Thru-Shaft Brake	420-2-15T	5/8"	3.0"	15	7	3.2
	420-3-10T	3/4"	2.4"	10	8	3.6
Stainless Bulkhead	421-2-11T*	5/8"	2.2"	11	7	3.2
Tapered Shaft - Less Brake	421-2-15T	5/8"	3.0"	15	7	3.2
	421-3-10T	3/4"	2.4"	10	8	3.6

* Standard sprocket size unless otherwise requested. Call for additional sprocket sizes. Straight Wheel Shafts are still available on special order. Contact Edson Customer Service.

Edson 418 Bulkhead Steerers

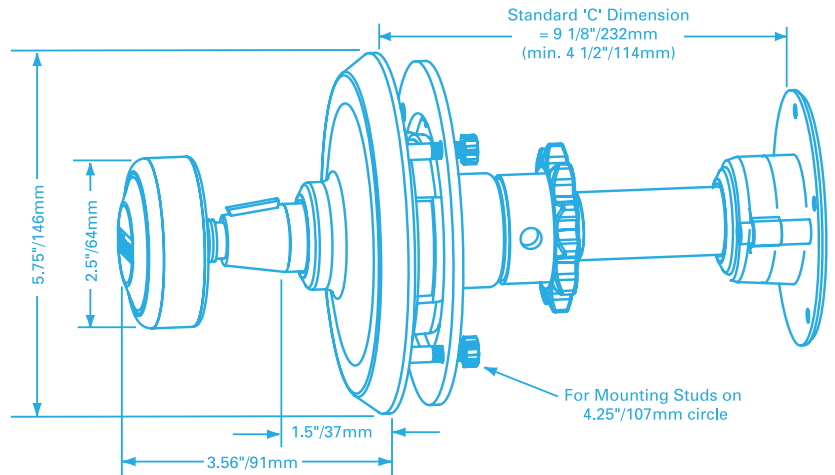
Edson engineers have designed Edson's 418 Bulkhead Steerer to be lightweight, versatile and rugged. For use on performance and cruising boats alike. Edson's Bulkhead Steerers feature Stainless Steel Needle Bearings to reduce friction, a Thru-Shaft Wheel Brake, all stainless construction and the ability to mount a Wheel Flange Adapter.



Tech Tip

'C' dimension is the standard length. Shaft is easily shortened by installer to a minimum of 4-1/2" (114mm)

- Perfect for Custom Installations such as Bridge-Decks and Dual Steering Stations.
- Additional Shaft Space Available for Chain Driven Autopilots.
- Easily Installed.
- Non-Magnetic Materials.
- Stainless Steel Wheel Shaft.
- Type 316L Stainless Housing, Faceplate and Sprocket.
- Optional Wheel Flange available.
- Convenient Thru-Shaft Wheel Brake.
- Large Selection of Chain and Sprocket Sizes Available.
- Self-Aligning Forward Shaft Bearing provides ease of installation and alignment in pedestals.
- Configurations Available for all Edson Wheels.
- Pre-Installed Threaded Mounting Studs
- Bulkhead Gasket Included
- Engraveable Forward Bearing Faceplate Available.
- Wheel shaft easily shortened by installer for varying console depth applications.
- CE Compliant.



GO TO

Wheel Flange Adapter available for mounting Edson's Diamond Series™ Ultra-Light and Carbon Wheels to tapered wheel shafts. Works with Thru-Shaft Brakes. See page 46



CHAIN SPROCKET DATA

Size	Chain Pitch		Sprocket Pitch Diameter		Chain Travel per Turns of Wheel		No. of Teeth
	inches	mm	inches	cm	inches	cm	
2-11	5/8	15.9	2.2	5.6	6.9	17.5	11
2-15	5/8	15.9	3.0	7.6	9.4	23.9	15
3-10	3/4	19.1	2.4	6.1	7.6	19.3	10

Additional Sprocket sizes available. Contact Edson Customer Service for custom requirements.

BULKHEAD STEERER ORDERING GUIDE

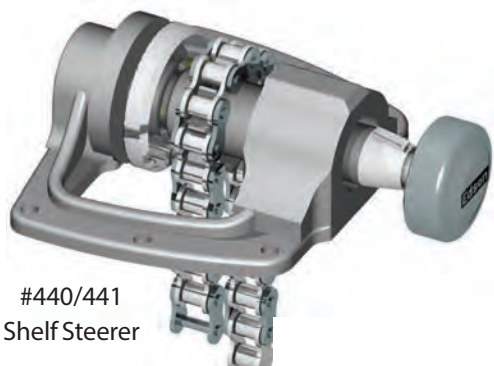
Steerer Type	Product #	Chain Size	Sprocket Pitch	No of Teeth	Weight lbs	kg
Stainless Bulkhead	418-2-11T*	5/8	2.2"	11	6.1	2.8
	418-2-15T	5/8	3.0"	15	6.1	2.8
	418-3-10T	3/4	2.4"	10	7.5	3.4
Stainless Bulkhead	419-2-11T*	5/8	2.2"	11	6.1	2.8
	419-2-15T	5/8	3.0"	15	6.1	2.8
	419-3-10T	3/4	2.4"	10	7.5	3.4

*Standard sprocket size unless otherwise requested. Call for additional sprocket sizes. Straight Wheel Shafts are still available on special order. Contact Edson Customer Service.

Chain & Wire Internal Steerers

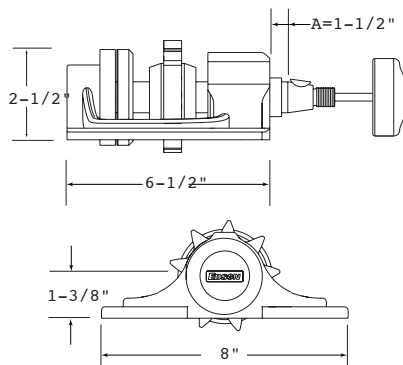
Edson's Needle Bearing Shelf Steerers are designed to provide precise steering control for larger boats. They are highly desirable due to their dependability, super sensitive "feel" and friction-free performance. Designed to be mounted on a shelf or horizontal flat surface, they are exceptionally strong and easy to install. Edson's Needle Bearing Steerers are available in a variety of choices to suit individual needs. Needle bearings and bearing liners are of high grade stainless. Used on a variety of boats including Whitbread Race winners, J-Boats and many other popular designs!

Heavy Duty Needle Bearing Shelf Steerer



#440/441
Shelf Steerer

- Designed for use on offshore race/cruisers and heavy displacement yachts.
- Large 1" and 1 1/4" Stainless Roller Bearings & Liners are very efficient and provide exceptional feel and sensitivity.
- Convenient Thru-Hub Wheel Brake.
- Available for use with 5/8" (#50), 3/4" (#60) or 1" (#80) Roller Chain.
- Equipped with either a standard 1" tapered wheel shaft with 3/16" key or 5/4" wheel flange.
- Specify wheel type to be used when ordering.



Optional Wheel Flange
Order #698FL - see pg. 46

HEAVY DUTY SHELF STEERER ORDERING GUIDE

Steerer Type	Order #	Chain Size	Sprocket Pitch	No of Teeth	Weight	
					lbs	kg
Heavy Duty Needle Bearing	440-3-10T**	3/4"	2.4"	10	9	4.1
Tapered Shaft with Thru-Shaft Brake	440-3-15T	3/4"	3.6"	15	9.5	4.3
	440-3-17T	3/4"	4.1"	17	9.5	4.3
	440-4-10T	1"	3.2"	10	9.5	4.3
Heavy Duty Needle Bearing	441-3-10T**	3/4"	2.4"	10	9	4.1
Tapered Shaft - Less Brake	441-3-15T	3/4"	3.6"	15	9.5	4.3
	441-3-17T	3/4"	4.1"	17	9.5	4.3
	441-4-10T	1"	3.2"	10	9.5	4.3

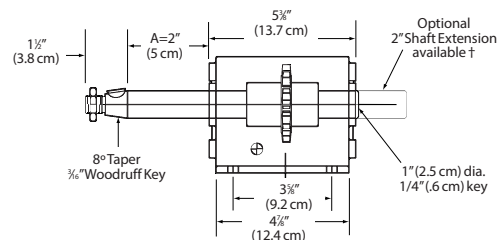
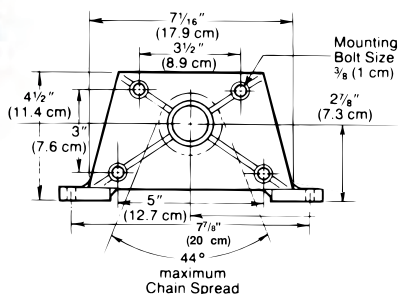
** Standard sprocket size unless otherwise requested. Call for additional sprocket sizes. Straight Wheel Shafts still available on special order. Contact Edson Customer Service.

Needle Bearing Shelf Steerer



#408
Shelf Steerer

- Designed for sailboats from 33' to 75'
- Thru-Shaft Brake
- Inverted aluminum "V" frame allows the chain to exit at a wide angle.
- Stainless Roller Bearings & Liners provide exceptional feel and sensitivity.
- Reduces the total number of sheaves required, thus increasing steering sensitivity.
- Can be used in a custom pedestal, bridge deck, powerboat console or bulkhead.
- Accepts any Edson #855 Sprocket.



Proudly
Steering



Optional Wheel Flange
Order #698FL - see pg. 46

NEEDLE BEARING SHELF STEERER ORDERING GUIDE

Steerer Type	Order #	Chain Size	Sprocket Pitch	No of Teeth	Weight	
					lbs	kg
Needle Bearing Shelf Steerer With Thru-Shaft Brake	408-2-11T**	5/8"	2.2"	11	6	2.7
	408-2-15T	5/8"	3.0"	15	6	2.7
	408-2-21T	5/8"	4.2"	21	6.5	2.9
	408-3-10T	3/4"	2.4"	10	6.5	2.9
	408-3-15T	3/4"	3.6"	15	6.5	2.9

** Standard sprocket size unless otherwise requested. Call for additional sprocket sizes. † Shaft extension available - specify when ordering. Additional charge applies, See Order #946. Straight Wheel Shafts are still available on special order. Contact Edson Customer Service.

Grand Prix Pedestal Insert Steerer



#435ST-2-15T
Grand Prix Steerer



Optional #420
Carbon Racing Pedestal

- Extremely compact - 4" (102mm) x 7" (178mm)
- Lightweight - 2.5lbs (1.2kg)
- 5/8" and 3/4" sprockets available
- Fits Edson #430 Carbon Racing pedestal



Photos courtesy of Latin Marine

TP-52 Orlanda relies on Edson's Race-Proven Ultra-Light Steerers and Carbon Tri-Spoke Wheels

GRAND PRIX STEERER ORDERING INFORMATION

Steerer Type	Order #	Chain Size	Sprocket Pitch	No of Teeth	Weight lbs	kg
1" Shaft - Sprocket for 5/8" Chain	435ST-100-2-11T*	5/8"	2.2"	11	2.5	1.13
1" Shaft - Sprocket for 3/4" Chain	435ST-100-3-10T	3/4"	2.4"	10	2.75	1.25

* Standard sprocket size unless otherwise requested. Call for additional sprocket sizes. Straight Wheel Shafts are still available on special order. Contact Edson Customer Service.

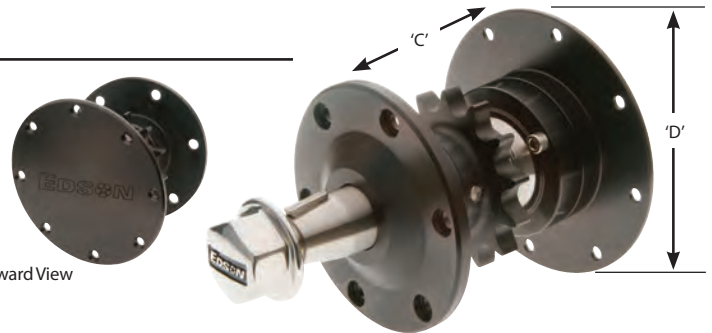
Ultra-Light Flange Steerer

- Ultra-Light design for use on performance boats.
- Two sizes available: 1" wheel shaft for boats up to 40' or 1-1/4" wheel shaft for larger boats with higher steering loads.
- Black Hardcote aluminum mounting flanges and sprocket.
- Stainless Wheel Shaft, Needle Bearings & Bearing Liners provide exceptional feel and sensitivity.
- Equipped with either a standard 1" straight wheel shaft, tapered wheel shaft, or 5/4" wheel flange.
- Specify wheel type to be used when ordering.
- Custom shaft lengths available.



Optional Wheel Flange
Order #698FL - see pg. 46

Forward View



ULTRA-LIGHT FLANGE STEERER ORDERING INFORMATION

Steerer Type	Order #	Chain Size	Sprocket Pitch	No of Teeth	Weight lbs	kg
1" Shaft - Size 1	425-100-2-11T*	5/8"	2.2"	11	3.16	1.44
'D'=4" (102mm), 'C'=4.13" (102mm)	425-100-2-13T	5/8"	2.6"	13	3.2	1.46
	425-100-2-15T	5/8"	3.0"	15	3.25	1.48
	425-100-3-10T*	3/4"	2.4"	10	4.27	1.94
1-1/4" Shaft - Size 2	425-125-3-13T	3/4"	3.1"	13	4.60	2.09
'D'=4.5" (114mm), 'C'=5.138" (130.5mm)	425-125-3-15T	3/4"	3.6"	15	4.82	2.19

* Standard sprocket size unless otherwise requested. Call for additional sprocket sizes. Straight Wheel Shafts are still available on special order. Contact Edson Customer Service.

Edson Ultra-Light Racing System™

Designed and built in cooperation with the most respected performance yacht builders in the world, the Ultra-Light Racing System is an extremely lightweight and strong steering system for the modern racing yacht. Edson's engineers have optimized the design of the Radial Drive, Steering Wheel, Steering Drum and Line System to achieve a remarkable strength-to-weight ratio. Race-proven in numerous ILC, IMS, IRM and One-Design Winners, the Edson ULRS's combination of Large-Diameter Steerer, Ultra-Light or Carbon Wheels and Lightweight Radial Drive makes it the lightest, strongest, FASTEST steering system available today.

ULRS Features

- Total system weighs as little as 28 Pounds including wheel!
- Utilizes 5/8" Vectran® Line for Strength, Weight Savings and Low Stretch.
- Large Diameter Hollow Drum Hub & Shaft for Load Distribution and Weight Savings.
- Engineered Wheel Spoke Pattern to Optimize Strength and Add To Lightness.
- Super-Lightweight "Butterfly" Radial Wheel.



Farr 40

Photo Courtesy: KOS/STRATEGIC

Featured On:



Chain, Wire Rope & Fittings

All Edson Steering Chain, Wire and Fittings are constructed of the highest quality marine-grade, non-magnetic materials. For replacements, measure your existing Chain and Wire Rope sizes and lengths. Or contact Edson or your local dealer for the original equipment specification on your boat.

Edson's Chain and Wire Rope Kit

One length of roller chain and two lengths of wire are assembled in the sizes and lengths you request. The connections between wire and chain are covered in clear shrink plastic to prevent fouling. All roller chain and wire rope are stainless, and the chain end fittings are cotter-pinned for ease of maintenance.

Now includes connecting hardware!

Chain & Wire Rope Assembly - Order #774 - Specify Size
(See Selection Guide below and Price Page for Sizes).

Chain & Wire Rope Kits now include Take-Up Eyes, Wire Thimbles and Wire Rope Clamps!



CHAIN AND WIRE KIT ORDERING GUIDE

Roller Chain Size	Connector Type	Length of Chain	Diameter of Wire	Length of Each S.S. Wire Rope	Order #
3/4" - #50	Stainless Clevis #736	1.5'/.46 m	3/16" / 5 mm	7'/2 m	#774-2S15B7
3/4" - #50	Stainless Clevis #736	1.5'/.46 m	3/16" / 5 mm	9'/2.75 m	#774-2S15B9
3/4" - #50	Stainless Clevis #736	1.5'/.46 m	3/16" / 5 mm	13'/4 m	#774-2S15B13
1/2" - #50	Stainless Clevis #736	2'/.6 m	3/16" / 5 mm	7'/2 m	#774-2S2B7
1/2" - #50	Stainless Clevis #736	2'/.6 m	3/16" / 5 mm	9'/2.75 m	#774-2S2B9
1/2" - #50	Stainless Clevis #736	2'/.6 m	3/16" / 5 mm	13'/4 m	#774-2S2B13
3/8" - #50	Stainless Adapter #635	2'/.6 m	1/4" / 6.4 mm	9'/2.75 m	#774-2B2D9
3/8" - #50	Stainless Adapter #635	2'/.6 m	1/4" / 6.4 mm	26'/8 m	#774-2B2D26
1/2" - #50	Stainless Adapter #635	2.5'/.75 m	1/4" / 6.4 mm	9'/2.75 m	#774-2B25D9
1/2" - #50	Stainless Adapter #635	2.5'/.75 m	1/4" / 6.4 mm	26'/8 m	#774-2B25D26

Edson's Chain Kit

Consists of the specified length of chain, two chain-to-wire adapters and two lengths of shrink wrap to cover the chain-to-wire adapters. When ordering, please note the size of wire to which the chain is being attached so that we can provide the proper sized end fittings.

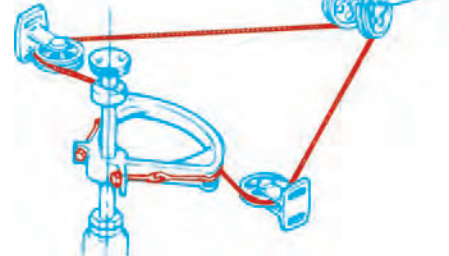
Chain Kit - Order #886 - Specify Size

(See Selection Guide below and Price Page for Sizes)

CHAIN KIT ORDERING GUIDE

Roller Chain Size	Connector Type	Length of Chain	Order #
3/4" - #50	Stainless Clevis #736	1.5'/.46 m	#886-2S15
3/4" - #50	Stainless Clevis #736	2'/.61 m	#886-252
3/4" - #50	Stainless Adapter #635	2'/.61 m	#886-2B2
3/4" - #50	Stainless Adapter #635	2.5'/.76 m	#886-2B25

Edson Chain Kit #886



Edson's Wire Rope Kit

Consists of one length of the specified length of wire, preassembled and nico-pressed together with the thimble and chain adapter as shown, as well as one length of shrink wrap to cover the chain-to-wire connection. Two lengths required per steering installation.

Wire Rope Kit - Order #885 - Specify Size

(See Selection Guide below and Price Page for Sizes)

WIRE KIT ORDERING GUIDE

Connector Type	Diameter of S.S. Wire Rope	Length of Wire	Order #
Stainless Clevis #736	3/16" / 5 mm	7'/2 m	#885-SB7
Stainless Clevis #736	3/16" / 5 mm	9'/2.75 m	#885-SB9
Stainless Clevis #736	3/16" / 5 mm	13'/4 m	#885-SB13
Stainless Adapter #635	1/4" / 6.4 mm	9'/2.75 m	#885-BD9
Stainless Adapter #635	1/4" / 6.4 mm	26'/8 m	#885-BD26



Edson Wire Rope Kit #885

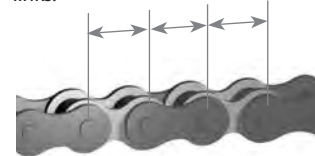


Tech Tip

Measuring Roller

Chain

Roller Chain is measured from pin-center to pin-center along its length. Common Sizes used on boat steering systems are 1/2" (#40), 5/8" (#50), 3/4" (#60) and 1" (#80). These sizes are usually stamped on the side of the chain links.



Custom Chain and Wire Kits

Edson can custom build Chain & Wire Kits, Chain Kits or Wire Kits to your specifications. The chart below can be used to specify the correct combination of Chain, Wire and Fittings.

Custom Chain & Wire Kit - Order #774 - Specify Size

Custom Chain Kit - Order Product #886 - Specify Size

Custom Wire Kit - Order Product #885 - Specify Size

CUSTOM CHAIN AND WIRE KIT SIZE SELECTION GUIDE

Roller Chain Size	Connector Type	Length of Chain	Diameter of S.S. Wire Rope	Length of Each Wire
2 = 5/8" #50	S = #736 SS Clevis	15 = 1.5 ft	B = 3/16" Dia	in Feet
3 = 3/4" #60	B = #635 Heavy Duty Adapter	2 = 2 ft	D = 1/4" Dia	
		25 = 2.5 ft	E = 3/16" Dia	

Example: If you need a 1 1/2' section of #50 chain and two 7' pieces of 3/16" wire rope, you would order #774-2S15B7. 2=5/8" Chain, S=Stainless Clevis, B=3/16" Wire Rope, 7=Two lengths of 7' wire



Warning

For safety, Edson recommends replacing your Chain and Wire Kit every 5 years. Clean it up, inspect it and if it is in good working condition, keep it on board for an emergency backup.

On all boats, especially those in Charter Service or sailing in the tropics, the chain and wire **MUST** be lubricated and inspected monthly. The effects of sun, saltwater and inexperienced users can be severe and must be compensated for by increased inspection and maintenance schedules.

Edson's Wire Rope Tensioning Kits include (2) Stainless Take-Up Eyes, (2) Stainless Thimbles and (4) Stainless Wire Rope Clamps, sized for either 3/16" or 1/4" wire rope.



WIRE TENSIONING KIT ORDERING GUIDE

Order #	Wire Size
773-187	3/16"
773-250	1/4"

Chain, Wire Rope and Fittings

Chain and Wire are specified and connected in several different configurations, depending on the rudder loads that the boat will experience. Typically, boats in the 25'-42' (7.6m-12.8m) range see rudder loads that require 3/16" or 1/4" wire rope and 5/8" Roller Chain and are connected with a stainless clevis as shown in Fig. 1.

Larger boats with higher rudder loads often require 1/4" or 5/16" wire rope and 3/4" roller chain, connected with a Heavy Duty Stainless or Bronze Adapter as shown in Fig. 2.

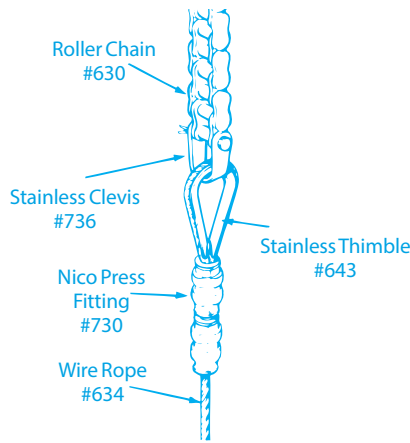


Figure 1
Consists of the standard Edson assembly of a Roller Chain and Wire Rope Kit when using 5/8" #50 Roller Chain with 3/16" (4.8mm) Wire Rope.

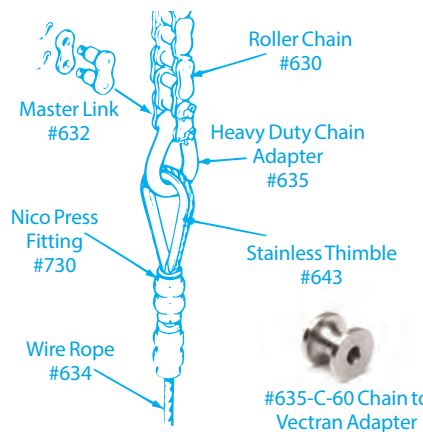


Figure 2
Consists of the standard Edson assembly of a Roller Chain and Wire Rope Kit when using 5/8" #50, 3/4" #60 or 1" #80 Roller Chain with 1/4" (6.35mm) or 5/16" (8.0mm) Wire Rope.

ORDERING INFORMATION/ FITTINGS SPECIFICATIONS

#630 STAINLESS ROLLER CHAIN

Order #	Size	Breaking Strength	Weight Per Ft.
630-50	5/8"	15.87 5000 lbs	.6 .27
630-60	3/4"	19.05 7000 lbs	.9 .40
630-80	1"	25.40 10000 lbs	1.6 .72

#632 STAINLESS MASTER LINK

Order #	Chain Size	Breaking Strength
632-50	5/8" 15.87	4700 lbs
632-60	3/4" 19.05	6800 lbs
632-80	1" 25.40	10000 lbs

#633 STAINLESS ROLLER CHAIN HALF LINKS

Order #	Chain Size	Breaking Strength
633-50	5/8" 15.87	4450 lbs
633-60	3/4" 19.05	6000 lbs

#634 STAINLESS WIRE ROPE

Order #	Diameter	Breaking Strength	Type
634-187	3/16" 4.76	2900 lbs	7x19
634-250	1/4" 6.35	4900 lbs	7x19
634-312	5/16" 8.00	7600 lbs	7x19

#635 HEAVY DUTY CHAIN ADAPTER

Order #	Chain Size	Tested Strength	Max. Wire Rope Size
635ST-50	5/8" 15.87	5000 lbs	1/4" 6.35 mm
635BR-60	3/4" 19.05	7000 lbs	3/8" 9.52 mm
635BR-80	1" 25.40	9000 lbs	3/4" 9.52 mm
635-C-60	XX XX	XX XX	XX XX

#643 STAINLESS THIMBLES

Order #	Thimble Size	Max Wire Rope Size	Max Load Rating
643-187	3/16" 4.76	3/16"	2220 lbs
643-250	1/4" 6.35	1/4"	3660 lbs
643-312	5/16" 8.00	5/16"	4560 lbs

#665ST STAINLESS WIRE ROPE CLAMPS

Order #	Clamp Size	Max Load Rating	Min Clamps per side
665ST-187	3/16" 4.76	3120 lbs	2
665ST-250	1/4" 6.35	5280 lbs	2
665ST-312	5/16" 8.00	7600 lbs	3

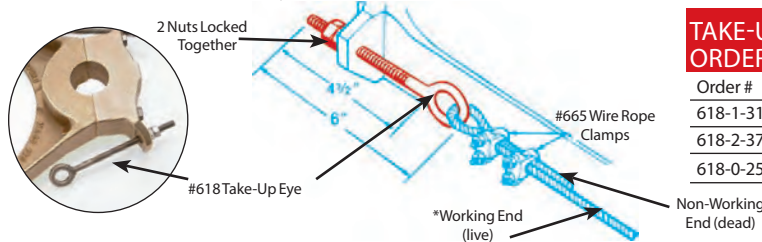
#730 NICO PRESS FITTINGS - INSTALLED (For fittings only - see price list #747)

Order #	Size	Wire Rope	Testing Strength
730-187	3/16" 4.76	3/16"	2900 lbs
730-250	1/4" 6.35	1/4"	5000 lbs
730-312	5/16" 8.00	5/16"	7600 lbs

#736 STAINLESS ROLLER CHAIN CLEVIS

Order #	Size	Breaking Strength	Max. Wire Rope Size
736-50	5/8" 15.87	3500 lbs	3/8" 4.76 mm

Edson's Take-Up Eyes accept Wire Rope up to 3/8" (9.5mm) in diameter, making adjustment of steering cable tension easy. For use with both Quadrants and Drive Wheels.



TAKE-UP EYE ORDERING GUIDE

Order #	Wire Size	Bolt Dia.
618-1-312	3/16", 1/4"	5/16"
618-2-375	1/4", 5/16"	3/8"
618-0-250	3/16"	1/4"

Edson's Stainless Wire Rope Clamps are used to secure the end of the wire rope after it goes through the Take-Up Eye on Quadrants and Drive Wheels. Two each are required for each take-up eye, or four total for a steering installation.



Tech Tip

*When fastening a Wire Rope clamp, "Never saddle a dead horse." Always put the open/saddle side of the clamp on the side of the wire that is working or "live".



WIRE ROPE CLAMP ORDERING GUIDE

Wire Size	Order #
3/16"	665ST-187
1/4"	665ST-250
5/16"	665ST-312

Edson Articu-Lock™ Sheave Assemblies

Edson's Articu-Lock Sheaves – Ideal for performance sailboats, cruising/racing catamarans and high-tech cruising yachts above 27 feet. Edson engineers have designed this new sheave to be lightweight, strong and extremely easy to align and lock in place.

NOTE: Order AL for Aluminum or BR for Bronze sheaves.

- Single or Double Styles available.
- Sheaves can articulate through 180° for ease of installation and alignment.
- Available in 4", 6", 8" and 10" models.
- Stainless Needle Bearings, Pins and Races virtually eliminate friction and wear.
- High-Strength, Investment Cast 316 Stainless Base and Uprights.
- Large-footprint mounting base for extra support and strength.
- Cast Aluminum Sheaves (Bronze available in 8" & 10").
- Positive lock when desired sheave angle is determined.
- Ideal for performance sailboats, cruising/racing catamarans and high-tech cruising yachts.
- Extra-deep grooved sheaves for extremely safe wire seat.
- 8" and 10" models feature integral grease fittings.

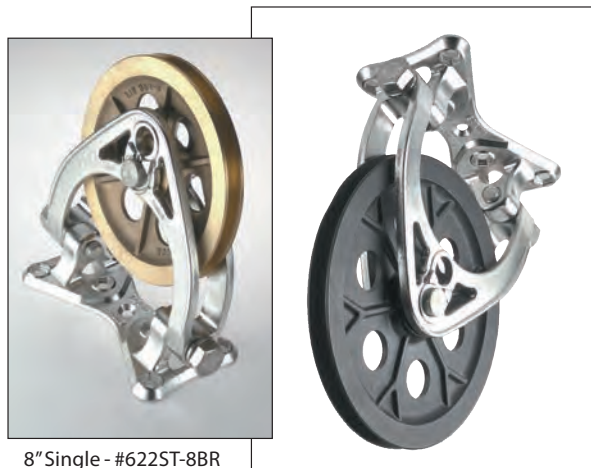


6" Double - #626ST-6AL



6" Single - #622ST-6AL

4" Single - #622ST-4AL



8" Single - #622ST-8BR

10" Single - #622ST-10AL



Articu-Lock Sheaves can be mounted with up to 180 degrees of adjustment.

NOTE: Sheaves must be locked in place when adjustment is complete.

ARTICU-LOCK™ SHEAVE ASSEMBLY ORDERING GUIDE

	Order #	Sheave Dia.	Base (Approx.)	Height Overall	Max. Wire Size	Pin Dia.	Aluminum Sheave Weight	Bronze Sheave Weight	Safe Working Load-Lbs.	Break Strength Lbs.
Single	622ST-4 AL	4"	5 3/4" x 3 1/4"	5 7/8"	1/4"	3/8"	3.7 lbs 1.68 Kg	n/a	4,000 lbs 1,814 Kg	8,000 lbs 3,628 Kg
	622ST-6 AL	6"	5 3/4" x 3 1/4"	7 7/8"	5/16"	5/8"	4 lbs 1.82 Kg	n/a	5,000 lbs 2,268 Kg	8,000 lbs 3,628 Kg
	622ST-8 (*)	8"	8 1/2" x 4 3/8"	10 1/4"	3/8"	1"	9.5 lbs 4.3 Kg	13.1 lbs 6.9 Kg	10,000 lbs 4,536 Kg	15,000 lbs 6,800 Kg
	622ST-10 (*)	10"	8 1/2" x 4 3/8"	12 1/2"	7/16"	1"	11.0 lbs 5.0 Kg	18.1 lbs 8.2 Kg	10,000 lbs 4,536 Kg	15,000 lbs 6,800 Kg
	626ST-4 AL	4"	5 3/4" x 5"	5 7/8"	1/4"	3/8"	6.55 lbs 2.98 Kg	n/a	4,000 lbs 1,814 Kg	8,000 lbs 3,628 Kg
Double	626ST-6 AL	6"	5 3/4" x 5"	7 7/8"	5/16"	5/8"	7.65 lbs 3.48 Kg	n/a	5,000 lbs 2,268 Kg	8,000 lbs 3,628 Kg

* - specify AL (aluminum) or BR (bronze). 6" Sheave available with bronze oilite or stainless needle bearing - see price page.

Adjustable Idlers

Edson's Adjustable Idler - designed for boats having the quadrant on the forward side of the rudderpost, and the pedestal either forward or aft of the rudderpost. They can be used for Radial Drive Steering Systems when the pedestal is located aft of the rudderpost. Feature anodized aluminum bases, stainless uprights, anodized aluminum sheaves and stainless sheave guards. Heavy Duty Racing/Cruising version with Solid Bronze base also available for boats with higher rudder loads.

4" Adjustable Idler - Order #711AL-4AL

6" Adjustable Idler - Order #711AL-6AL*

4" Adjustable Racing/Cruising Idler - Order #711BR-4AL

6" Adjustable Racing/Cruising Idler - Order #711BR-6AL*



6" Adjustable Idler
#711AL-6AL



4" Adjustable Idler
#711AL-4AL



Racing/Cruising Idler
#711BR-6AL
(6" shown)



4" Compact Idler
#713AL-FL-4AL

Edson's Compact Idler - designed especially for Edson's #476 Vision II Compact Pedestal. Recessed versions also available.

4" Adjustable Compact Idler - Order 713AL-FL-4AL

6" Adjustable Compact Idler - Order 713AL-FL-6AL*

(Compact Idlers compatible ONLY with 476 pedestals)

Adjustable Crossed-Wire Idlers

Edson's Adjustable Crossed-Wire Idler - for use on boats where the quadrant is aft of the rudderpost or on Radial Drive Steering Systems when the pedestal is located forward of the rudderpost. This exclusive Edson design crosses the wire within the pedestal column and the slanted sheaves, correctly aiming the wires at the sprocket for proper alignment of the wire to the sheaves, reducing the risk of chaffing. The sheaves are fully adjustable between 10° and 155° aft and lock in place to maintain the desired setting. They also feature anodized aluminum bases, stainless uprights, anodized aluminum sheaves and stainless sheave guards. Heavy Duty Racing/Cruising version with Solid Bronze base also available for boats with higher rudder loads.

4" Adjustable Crossed-Wire Idler - Order #776AL-4AL

6" Adjustable Crossed-Wire Idler - Order #776AL-6AL*

4" Adjustable Racing/Cruising Crossed-Wire Idler - Order #776BR-4AL

6" Adjustable Racing/Cruising Crossed-Wire Idler - Order #776BR-6AL*



6" Crossed-Wire Idler
#776AL-6AL



4" Crossed-Wire Idler
#776AL-4AL



Racing/Cruising
Crossed-Wire Idler
#776BR-6AL
(6" shown)



4" Compact
Crossed-Wire Idler
#712AL-FL-4AL

Edson's Compact Crossed-Wire Idler - designed especially for Edson's #476 Vision II Compact Pedestal. Recessed versions also available.

4" Cross Wire Compact Idler - Order 712AL-FL-4AL

6" Cross Wire Compact Idler - Order 712AL-FL-6AL*

(Compact Idlers compatible ONLY with 476 pedestals)

WARNING! Larger steering wheel diameters impart higher loads on the complete steering system. All components including chain, wire and idlers should be up-sized. Adjustable sheave uprights must be locked in place with supplied bolts and nuts after installation.



6" Idlers



4" Idlers

IDLER SPECIFICATIONS AND ORDERING GUIDE

Part No.	Boat Length	Idler Size in(cm)	Dia Wire in(cm)	Max Width in(cm)	Max Depth in(cm)	Weight lbs(kg)
711AL-4AL	to 36'	4 (10.2)	to 1/4 (.64)	9.5 (24.1)	6.0 (15.2)	6.5 (2.9)
711AL-6AL	37'-44'	6 (15.2)	to 3/8 (.95)	13 (33.0)	7.25 (18.4)	9.0 (4.1)
711BR-4AL	to 36'	4 (10.2)	to 1/4 (.64)	9.5 (24.1)	6.0 (15.2)	8.0 (3.6)
711BR-6AL	35'-48'	6 (15.2)	3/8 (.95)	9.5 (24.1)	7.5 (19.0)	13.0 (5.9)
776AL-4AL	to 36'	4 (10.2)	to 1/4 (.64)	8.25 (21.0)	6.0 (15.2)	7.0 (3.2)
776AL-6AL	37'-44'	6 (15.2)	to 3/8 (.95)	12.5 (31.8)	7.25 (18.4)	9.5 (4.3)
776BR-4AL	to 36'	4 (10.2)	to 1/4 (.64)	9.5 (24.1)	6.0 (15.2)	8.0 (3.6)
776BR-6AL	35'-48'	6 (15.2)	to 3/8 (.95)	9.5 (24.1)	7.5 (19.0)	13.0 (5.9)

All Edson Idlers now come standard with Sheave Guards!

* NOTE: 6" Sheaves available with bronze oilite or stainless needle bearing - see price page.

Wire Rope Sheaves

Edson's Sheaves and Sheave Assemblies are available in Bronze or lightweight Black Anodized Aluminum (see charts for sizes), and are specially designed for use in wire rope steering systems for sailboats.

The Aluminum Sheaves are ideal for the performance boat that requires sensitive, lightweight steering. The 4" sheaves run on oil impregnated bronze bearings, while 6" sheaves use bronze or stainless needle bearings. The larger (8", 10", and 12") sizes in Bronze or Aluminum run on stainless needle bearings and liners for

super sensitive action.

Sheave hubs are wider than the rims to prevent side friction and noise. Sheave pins are stainless and easily removable for ease of installation or maintenance and sheave housings are designed with arrestor systems to minimize sheave pin wear.



Tech Tip

ABYC & CE standards require sheave diameters to be a minimum of 16X the diameter of the wire. However, for optimum steering performance, use the largest sheave possible to prevent wire jump-out and to reduce friction.

SINGLE UPRIGHT SHEAVE ASSEMBLY



Order #	Sheave Dia.	Base (Approx.)	Height Overall	Max. Wire Size	Pin Dia.	Weight		Safe Working Load Lbs.	Break Strength Lbs.
						Alum. lbs.	Bronze lbs.		
620BR-4AL	4"	3" x 2 1/4"	4 5/8"	1/4"	3/8"	1 3/4	n/a	4,000	8,000
620BR-6AL	6"	3 3/4" x 5 1/2"	6 1/2"	3/8"	5/8"	4 1/2	n/a	5,000	10,000
620(*)-8	8"	8" x 3 3/4"	9"	1/2"	1"	3.95	7.7	10,000	20,000
620(*)-10	10"	9" x 5"	11"	1/2"	1"	11	21	15,000	30,000
620(*)-12	12"	10 1/2" x 7"	14"	3/4"	1 1/4"	17	36	20,000	40,000

* Specify AL for Aluminum or BR for Bronze. 6" Sheaves available with bronze oilite or stainless needle bearing - see price page.

FLAT SHEAVE ASSEMBLIES



Order #	Sheave Dia.	Base (Approx.)	Height Overall	Max. Wire Size	Pin Dia.	Weight		Safe Working Load Lbs.	Break Strength Lbs.
						Alum. lbs.	Bronze lbs.		
847-4AL	4"	2 7/8" x 7"	1 1/2"	1/4"	3/8"	2	n/a	4,000	8,000
847-6AL	6"	4 3/8" x 9"	1 3/4"	3/8"	5/8"	2.24	n/a	5,000	10,000
621BR-4AL	4"	2 7/8" x 7"	1 1/2"	1/4"	3/8"	N/A	1.25 Kg	4970	9940
621BR-6AL	6"	4 3/8" x 9"	1 3/4"	3/8"	5/8"	N/A	2.4 Kg	2255 Kg	4511 Kg
621(*)-8	8"	11 7/8" x 5"	2 3/4"	1/2"	1"	4	8	13,770	27,540
621(*)-10	10"	14" x 7"	3 1/4"	1/2"	1"	9	19	6249 Kg	12,498 Kg
621(*)-12	12"	16" x 14"	4 1/2"	3/4"	1 1/4"	19	38	10,000	20,000

* Specify AL for Aluminum or BR for Bronze. 6" Sheaves available with bronze oilite or stainless needle bearing - see price page.

SINGLE SHEAVE SELECTION GUIDE

Sheaves Only



Edson's Sheaves may be the answer in many areas of custom boat building, not only for steering but also for centerboards, custom deck hardware, or remote actuators, such as emergency shut off valves and CO2 systems. Great care should be taken to insure that the wire and sheave size are matched.

Order #624 (specify size and material).

Order #	Sheave Dia.	Hub Width	Rim Width	Max. Wire Size	Pin Dia.	Weight		Safe Working Load Lbs.	Break Strength Lbs.
						Alum. lbs.	Bronze lbs.		
624-3BR Bronze only	3"	1/2"	1/2"	3/16"	3/8"	N/A	9 oz	3,000	5,000
624-4AL Aluminum only	4"	5/8"	1/2"	1/4"	3/8"	5 oz	140 g	1,300Kg	2,300 Kg
624-6AL Aluminum only	6"	3/4"	5/8"	3/8"	5/8"	11 oz	.31 Kg	4,000	8,000
624-8(*)	8"	1"	3/4"	1/2"	1"	1.6	5	2,300 Kg	4,500 Kg
624-10(*)	10"	1 1/8"	1"	1/2"	1"	.73 Kg	2.3 Kg	5,000	10,000
624-12(*)	12"	2"	1 1/8"	3/4"	1 1/4"	3.1 Kg	9.9 Kg	10,000	20,000

* Specify AL for Aluminum or BR for Bronze. 6" Sheaves available with bronze oilite or stainless needle bearing - see price page.

Radial Drive Wheels



#777-6.5 shown



#800-8 shown



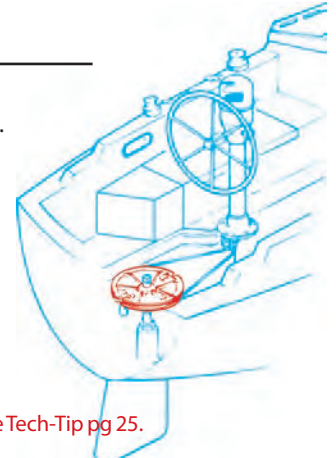
#802-10 shown



#804-8 shown

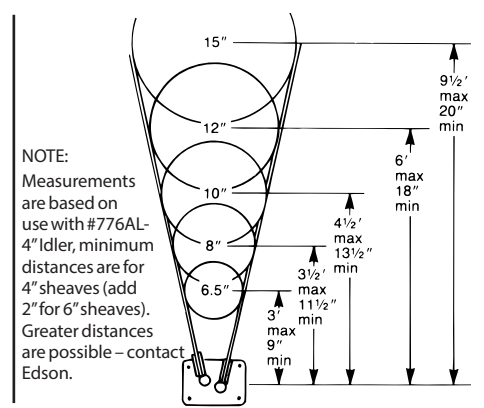
- Ideal for boats up to 55' (17m) with vertical rudderposts where cables can be led directly from the pedestal idler to the drive wheel.
- Three hub sizes to fit rudderposts from 1" (25mm) to 7" (178mm).
- Works well for boats with limited space beneath cockpit floor.
- Easy installation — split design clamps around rudderpost.
- Reduces sheave and steering friction.
- Heat Treated Anodized Aluminum Construction.
- Each Drive Wheel is Custom Bored to your exact specification.
- Must be secured with Key, Through Bolt or Set Screws.
- Rudderstop included on single groove radials
- Larger Custom sizes or rectangular bores available

NOTE: All Radial Wheels must be mechanically affixed to rudderpost. See Tech-Tip pg 25.

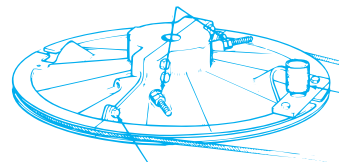


RADIAL DRIVE SPECIFICATIONS

Part No.	Size	A = Hub Thickness in (cm)	B = Offset or Dish in (cm)
777	6.5	1 1/4 (4.8)	1 1/4 (3.2)
	8	1 1/4 (4.1)	1 1/4 (4.1)
	10-15	2 1/4 (5.7)	1 3/8 (3.5)
800	8	1 1/4 (4.1)	1 1/4 (4.1)
	10-15	2 1/4 (5.7)	1 3/8 (3.5)
802/804	8-10	2 (5.1)	Flat
	12-16	2 3/4 (6.1)	Flat



#777, 800 & 802 require two #618 Take-Up Eyes.
#804 may require four #618 Take-Up Eyes.
Place nuts on same side and tighten together.



1/4"-20 S.S. bolts and nuts are supplied and must be installed.

All single groove Radial Drive Wheels are supplied with #862-2 Rudder Stop.
See #862 on price page for replacement and additional sizes of rudderstops.

NEW!
Dual Groove Radial for Twin Wheel Boats



Tech Tip

- 1) If pedestal is forward of the rudderpost, use the #776AL Idler and cross the cables inside the pedestal for proper steering direction.
- 2) Boats with high rudder loads require independent rudderpost stops.
- 3) Max. keyway size is the maximum keyway that can be used with the maximum bore.
- 4) Use #684 stainless keys only.
- 5) 1/4"-20 stainless bolts and nuts are supplied and must be installed in the holes supplied on the outside of the radius.
- 6) For additional Radial Drive installation instructions, see Edson Steering Installation Guide.

Replacement Stainless Rudder Stop - Order #862-2



* Customer supplied wire.

RADIAL DRIVE ORDERING GUIDE

Order #	Boat Size L.O.A. feet	Drive Wheel Radius in (cm)	Outside Diameter in (cm)	Pilot Bore in (cm)	Max Bore in (cm)	Max Size Keyway in (cm)	Weight lb (kg)
777-6.5	to 30	6.5 (16.5)	13 (33.0)	1 1/16 (2-3)	3 (7.6)	3/8 (.95)	6.5 (2.9)
777-8	to 35	8 (20.3)	16 (40.6)	1 1/16 (2.3)	2.5 (6.4)	3/8 (.95)	7.5 (3.4)
777-10	36-41	10 (25.4)	21 (53.3)	1.5 (3.8)	3 3/8 (8.6)	1/2 (1.3)	10.5 (4.7)
777-12	42-48	12 (30.5)	25 (63.5)	1.5 (3.6)	3 3/8 (8.6)	1/2 (1.3)	22 (10)
777-15	48-55	15 (38.1)	30 (76.2)	1.5 (3.8)	3 3/8 (8.6)	1/2 (1.3)	26 (11.8)
800-8	to 35	8 (20.3)	16 (40.6)	2.5 (6.4)	3.5 (8.9)	3/8 (.95)	8 (3.6)
800-10	36-41	10 (25.4)	21 (53.3)	3 3/8 (8.6)	4.5 (11.4)	1/2 (1.3)	13 (5.9)
800-12	42-48	12 (30.5)	25 (63.5)	3 3/8 (8.6)	4.5 (11.4)	1/2 (1.3)	23 (10.4)
800-15	48-55	15 (38.1)	30 (76.2)	3 3/8 (8.6)	4.5 (11.4)	1/2 (1.3)	27 (12.2)
802-8	to 35	8 (20.3)	17 (43.2)	3 3/8 (8.6)	6 (15.2)	3/8 (.95)	14 (6.4)
802-10	36-41	10 (25.4)	21 (53.3)	4 3/8 (11.1)	6 (15.2)	3/8 (.95)	16 (7.3)
802-12	42-48	12 (30.5)	25 (63.5)	4 3/8 (11.1)	7 (17.8)	3/8 (.95)	23.5 (10.7)
804-8	to 35	8 (20.3)	16.5 (42)	solid	4 (10.1)	3/8 (.95)	8 (3.6)
804-10	36-41	10 (25.4)	20.5 (52.1)	solid	4 (10.1)	3/8 (.95)	12 (5.4)
804-12	36-41	10 (25.4)	25 (63.5)	solid	7 (17.8)	1/2 (1.3)	20 (9)
804-14	42-48	12 (30.5)	29 (73.6)	solid	7 (17.8)	1/2 (1.3)	34 (15.4)
804-16	36-41	10 (25.4)	33 (83.8)	solid	7 (17.8)	1/2 (1.3)	40 (18)

NOTE: Selection Guide is to be used with specific recommendations approved by your naval architect.

Standard Quadrants

Edson's Standard Quadrants are cast Manganese Bronze or 356-T6 heat-treated Aluminum. Available in 8" through 36" radius sizes, the Edson Quadrant is effective whether mounted fore or aft of the rudderpost. The quadrants are machined to accept #618 Take-Up Eyes, making installation and adjustment of steering cables easy. All bearing surfaces are machined, a positive fit is assured by the Edson Capped Hub, and the clamping action allows installation without having to remove the rudder.

NOTE: All Quadrants must be mechanically affixed to rudderpost. See Tech-Tip pg 25.

Edson's Standard Quadrants

Cast in Manganese Bronze or weight-saving Aluminum, in 18" and 24" radiuses, these quadrants are substantially proportioned to withstand the most severe steering strains and shocks. The #676 Quadrants are available to fit rudder posts up to 3 1/2" (8.9 cm) in diameter.

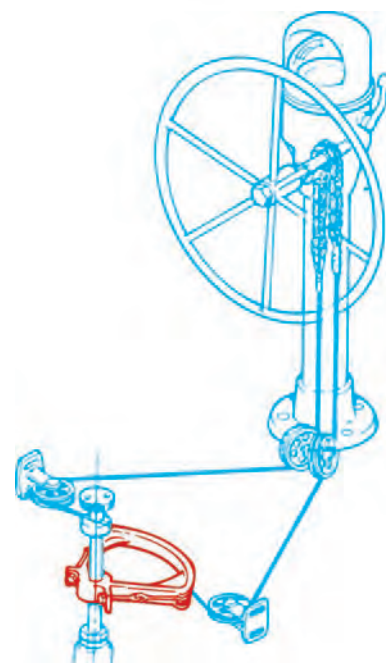
Order #676, Specify Bore and Key (see Ordering Guide).

STANDARD QUADRANT ORDERING GUIDE

Order #	Material	Boat Size L.O.A.	Quadrant Radius in (cm)	Hub Height in (cm)	Pilot Bore Dia in (cm)	Max Bore Dia in (cm)	Max Keyway in (cm)	Weight lbs (kg)
676BR-8	Bronze	up to 35'	8 (20.3)	1 1/8 (4.0)	1 (2.54)	3 1/2 (8.9)	1/2 (1.3)	12 (5.4)
676BR-10	Bronze	35-45	10 (25.4)	1 1/8 (4.0)	1 (2.54)	3 1/2 (8.9)	1/2 (1.3)	13 (5.9)
676BR-12	Bronze	40-50	12 (30.5)	1 1/8 (4.0)	1 (2.54)	3 1/2 (8.9)	1/2 (1.3)	15 (6.8)
676BR-14	Bronze	45-55	14 (35.6)	1 1/8 (4.0)	1 (2.54)	3 1/2 (8.9)	1/2 (1.3)	17 (7.7)
676BR-16	Bronze	50-60	16 (40.6)	2 1/2 (6.4)	1 (2.54)	3 1/2 (8.9)	1/2 (1.3)	36 (16.3)
676BR-18	Bronze	55-65	18 (45.7)	2 1/2 (6.4)	1 (2.54)	3 1/2 (8.9)	1/2 (1.3)	36 (16.3)
676AL-18	Aluminum	55-65	18 (45.7)	2 1/2 (6.4)	1 (2.54)	3 1/2 (8.9)	1/2 (1.3)	15 (6.8)
676BR-20	Bronze	60-70	20 (50.8)	2 1/2 (6.4)	1 (2.54)	3 1/2 (8.9)	1/2 (1.3)	40 (18.1)
676BR-24	Bronze	70-90	24 (61.0)	2 1/2 (6.4)	1 (2.54)	3 1/2 (8.9)	1/2 (1.3)	46 (20.9)
676AL-24	Aluminum	70-90	24 (61.0)	2 1/2 (6.4)	1 (2.54)	3 1/2 (8.9)	1/2 (1.3)	19 (8.6)



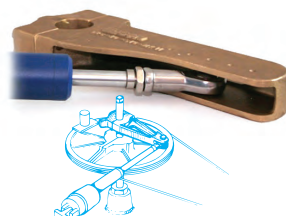
Standard Quadrant #676BR



Important!

Edson highly recommends installing an autopilot independent of the primary steering system. This provides for a redundant/backup system in the event of steering gear or cable failure - in effect an "Electronic Emergency Tiller". Edson's Autopilot Tiller Arm allows the autopilot to be mounted independently of the primary steering system and should be used to attach an autopilot to the rudderpost.

IN NO CASE SHOULD THE AUTOPILOT BE ATTACHED DIRECTLY TO THE QUADRANT OR RADIAL DRIVE WHEEL!



See Pg 28-29 for Autopilot Tiller Arms

Edson's Extra Large Bore Quadrants

Designed for boats with larger-diameter rudderposts. Cast in both weight-saving Aluminum and Manganese Bronze with strengthening webs through the center section of the quadrant, these quadrants handle rudderposts from 3 1/2" (8.9 cm) to 6" (15.2 cm) in diameter.

Order #835, Specify Material, Bore and Key (see Selection Guide).

EXTRA EXTRA LARGE BORE QUADRANT ORDERING GUIDE

Order #	Material	Boat Size L.O.A.	Quadrant Radius in (cm)	Hub Height in (cm)	Pilot Bore Dia in (cm)	Max Bore Dia in (cm)	Max Keyway in (cm)	Weight lbs (kg)
835BR-14	Bronze	45-55	14 (35.6)	2 1/2 (6.4)	3 1/2 (8.9)	5 (12.7)	1/2 (1.3)	25 (11.3)
835AL-14	Aluminum	45-55	14 (35.6)	2 1/2 (6.4)	3 1/2 (8.9)	5 (12.7)	1/2 (1.3)	12 (5.4)
835BR-16	Bronze	50-60	16 (40.6)	2 1/2 (6.4)	3 1/2 (8.9)	5 (12.7)	1/2 (1.3)	28 (12.7)
835BR-18	Bronze	55-65	18 (45.7)	2 1/2 (6.4)	3 1/2 (8.9)	5 (12.7)	1/2 (1.3)	35 (15.8)
835AL-18	Aluminum	55-65	18 (45.7)	2 1/2 (6.4)	3 1/2 (8.9)	5 (12.7)	1/2 (1.3)	17 (7.7)
835BR-20	Bronze	60-75	20 (50.8)	2 1/2 (6.4)	3 1/2 (8.9)	5 (12.7)	1/2 (1.3)	40 (18.1)
835BR-24	Bronze	70-90	24 (61)	2 1/2 (6.4)	3 1/2 (8.9)	5 (12.7)	1/2 (1.3)	49 (22.2)
835AL-24	Aluminum	70-90	24 (61)	2 1/2 (6.4)	3 1/2 (8.9)	5 (12.7)	1/2 (1.3)	21 (9.5)
835AL-30	Aluminum	80-100	30 (76.2)	3 3/4 (9.5)	3 1/2 (8.9)	6 (15.2)	1/2 (1.3)	56 (25.4)
835AL-36	Aluminum	90-120	36 (91.4)	3 3/4 (9.5)	3 1/2 (8.9)	6 (15.2)	1/2 (1.3)	73 (33.1)



Extra Large Bore Quadrant #835BR

Custom quadrants in Aluminum and Bronze available.

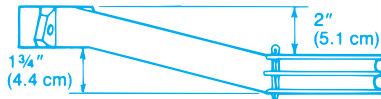
Offset Quadrants

Ideal for boats needing extra room on the rudderpost for the addition of an autopilot, a second steering station, or where an obstruction exists. In boats with excessively raked rudderposts, Offset Quadrants can be mounted up or down. The capped hub insures a positive fit and the clamping action permits installation without having to lower the rudder. NOTE: All Quadrants must be mechanically affixed to rudderpost. See Tech-Tip below.



Aluminum Offset Quadrant

Designed and cast for strength and versatility. In 10" and 14" radius sizes, it is cast of 356-T6 Black Anodized Aluminum and with strengthening webs. It is manufactured to be used with Stainless or Aluminum rudderposts and must be equipped with #684 Stainless Key Stock or pins when attaching to the rudderpost. Not to be used on Bronze rudderposts. Order #842 (see Ordering Guide)



OFFSET QUADRANT ORDERING GUIDE

Order #	Material	Boat Size L.O.A.	Quadrant Radius in (cm)	Hub Height in (cm)	Pilot Bore Dia in (cm)	Max Bore Dia in (cm)	Max Size Keyway in (cm)	Weight lbs (kg)
842-10	Aluminum	32 to 36	10 (25.4)	2 (5.1)	1 5/16 (2.4)	3 (7.6)	1/2 (1.3)	6.4 (2.9)
842-14	Aluminum	36 to 51	14 (35.6)	2 (5.1)	1 5/16 (2.4)	3 (7.6)	1/2 (1.3)	8.1 (3.7)

Note: When specifying a square bore in a quadrant, please note that the maximum bore dimension is 1/2" (1.3 cm) smaller.

Stainless Key Stock

Edson's Stainless Key Stock is recommended for use when attaching the quadrant to the rudderpost. Order # 684 (See Ordering Guide)



STAINLESS KEY STOCK ORDERING GUIDE

Order #	Size in (mm)	Length in (mm)	Rudderpost Diameter in (mm)	Weight oz (g)
684-250	1/4 x 1/4 (6.35 x 6.35)	6 (152.4)	1-1 1/4 (2.54-3.18)	1.7 (47.6)
684-250W	1/4 x 1/4 (6.35 x 6.35)	1.5 (38)	For Use on Straight Wheelshaft	1.0 (28)
684-187W	3/16 (4.8) #9	woodruff key	For use on Tapered Wheelshaft	1.0 (28)
684-375	3/8 x 3/8 (9.52 x 9.52)	6 (152.4)	1 1/2 - 2 1/4 (3.49-5.71)	3.8 (106.4)
684-500	1/2 x 1/2 (12.7 x 12.7)	6 (152.4)	2 1/2 and up (5.71 and up)	6.7 (187.6)



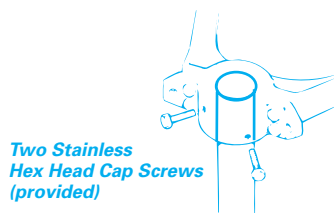
Tech Tip

Installing Quadrants, Radial Drive Wheels & Tiller Arms

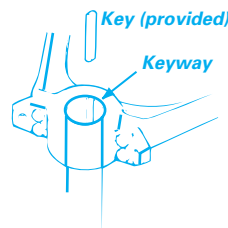
Quadrant, Drive Wheels and Tiller Arms must be positively secured on the rudderpost in addition to Edson's tight clamping tolerance. This can be done by:

- 1) Securing the quadrant to a solid rudderpost stock by cutting a keyway in the rudderpost and in the quadrant.
 - 2) Through-pinning the quadrant to a hollow rudderpost. Edson will provide a predrilled quadrant cap and a 3/8" (1 cm) stainless pin for 8" through 15" quadrants or a 1/2" (1.3 cm) stainless pin for 16" through 20" quadrants.
 - 3) Securing with set screws by drilling and tapping into the quadrant cap and the rudderpost (be it solid or hollow).
- Please Specify the method of securing when ordering.

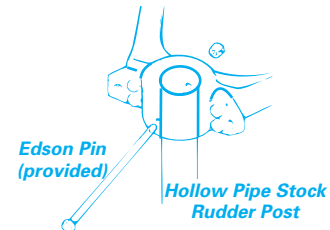
Set Screws



Key / Keyway (Preferred Method)



Through-Pin



Important!

Please supply an accurate dimension of your rudderpost or the bore along with the key size and Edson will machine the quadrant to suit. Edson allows a .005" (.13 mm) to .006" (.15 mm) clamping action of the cap to the rudderpost. The quadrant must be carefully fitted for optimum strength; if fitted too tightly the cap could bend when tightened, and if fitted too loosely the quadrant could work loose or drop. Either could cause premature failure. Quadrants for square rudderposts require special machining and exact measurement of the flats of the square and the location of the points of the square must be provided. For special machining requirements see #946 on the Price Page.

Pull-Pull Steering Components

Edson Pull-Pull Conduit Systems are designed to provide the ability to run steering cables around spaces or structures that otherwise might be difficult or impossible with straight wire runs from sheave to sheave. Pull-Pull System components have been engineered to allow you to use stock parts that will result in a strong, reliable and sensitive steering system. However, you must carefully follow the guidelines at the right to insure a system that is free of friction. Boats over 60' (18 m) should use the larger size 312 Conduit and Fittings.

Pull-Pull Steering System Design Guidelines:

- Conduit should have no 90° bends—however gentle—on boats over 30', as it will make the steering stiff.
- Use Edson Conduit Idlers whenever possible when conduit needs to make a turn.
- Conduit should be utilized only to make slight elevation changes and gentle bends.
- Conduit Greasers should be used on all runs over 6' (2 m).
- Lubricate monthly with Teflon™ based lubricant only.

Pull-Pull Conduit and Fittings

Edson's Pull-Pull Conduit is available in one foot increments. The conduit can easily be cut with a hacksaw. Specify length in feet when ordering.

3/4" (19mm) OD Conduit for 3/16" & 1/4" wire rope – Order #853-250

Wt. 5.5 oz/ft

7/8" (22mm) OD Conduit for 5/16" wire rope – Order #853-312

Wt. 9 oz/ft

Edson's Pull-Pull Conduit Assemblies include specified length of Conduit and two End Fittings. They are cut to length and assembled at the Edson Factory. Two lengths are needed in most steering system installations. The length should be measured from end-to-end including 2 1/2" (64mm) for each end fitting.

Conduit Assembly with 3/4" Conduit – Order #797

Specify length – See Price Sheet.

Edson's Conduit End Fittings. Two fittings are required for each length of conduit. #854-250 fittings are molded in white Celcon™ #854-312 fittings are black anodized, machined Aluminum. Both have end fitting thread size of 7/8"-9. Comes with one Hose Clamp and one Jam Nut.

Conduit End Fittings for 3/4" Conduit – Order #854-250

Wt. 2 oz

Conduit End Fittings for 7/8" Conduit – Order #854-312

Wt. 4 oz



Pull-Pull Conduit Idlers

Edson's Flat Conduit Idler is similar to the #881 Upright Idler, but is designed to mount on a flat surface. Constructed of anodized Aluminum sheaves and a Brass housing.

4" Flat Conduit Idler – Order #847BR-4AL

Wt. 2 lb (.9kg)

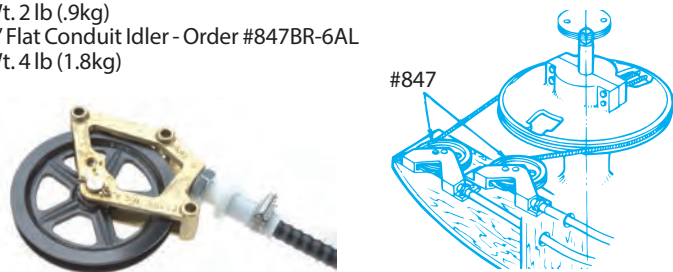
6" Flat Conduit Idler – Order #847BR-6AL

Wt. 4 lb (1.8kg)

Edson's In-Out Conduit Idler is designed to increase the efficiency and sensitivity of a Pull-Pull Conduit System. Engineered with 6" sheaves and three holes to accept Edson's Conduit End Fittings, the idler makes wire alignment with the sheave automatic. It is recommended that these idlers be used at major load points in engine compartments to allow the steering cable to run over a sheave when being routed aft. Required on center cockpit pull-pull systems over 39' (12 m).

6" In-Out Conduit Idler – Order #962-6AL

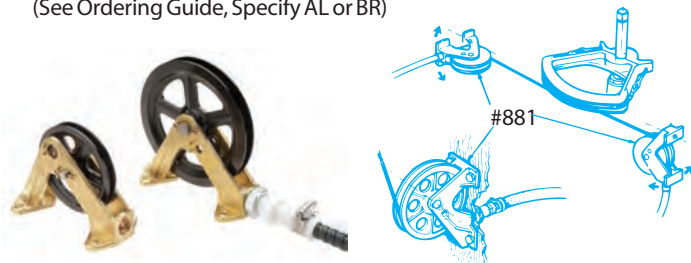
Wt. 3.5 lb/1.6 kg



Edson's Upright Conduit Idlers allow you to turn steering cable around a sheave rather than through the conduit, reducing wear and friction. Upright Conduit Idlers are an absolute must on boats over 39' (12 m). Available in cast and machined Aluminum or Bronze in five sizes.

Upright Conduit Idlers – Order #881

(See Ordering Guide, Specify AL or BR)



UPRIGHT CONDUIT IDLER ORDERING GUIDE

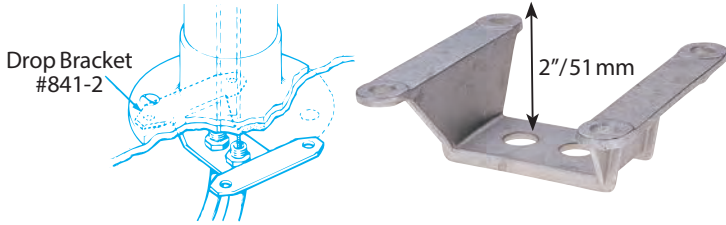
Order #	Sheave Dia. in (cm)	Max Wire Size in (mm)	Total Weight lbs. (kg)	
			Aluminum	Bronze
881BR-4AL	4" (10.2)	1/8" (7 mm)	n/a	2 lbs (.9 kg)
881BR-6AL	6" (15.2)	3/8" (10 mm)	n/a	4 lbs (1.8 kg)
881(*)-8(*)NB	8" (20.3)	1/2" (13 mm)	7 lbs (3.2 kg)	13 lbs (5.9 kg)
881(*)-10(*)NB	10" (25.4)	1/2" (13 mm)	11 lbs (5.0 kg)	21 lbs (9.5 kg)
881(*)-12(*)NB	12" (30.5)	3/4" (19 mm)	17 lbs (7.7 kg)	36 lbs (16.3 kg)

* Specify AL for Aluminum or BR for Bronze.

6" Sheave available with bronze oilite or stainless needle bearing - see price page.

Pull-Pull Conduit Brackets

Edson's Drop Conduit Bracket drops the conduit ends 2" (51mm) below the cockpit floor (more if blocked down). This makes it easier to feed wires into the conduit and allows for easier lubrication and maintenance of the conduit system. It is held in place by the pedestal mounting bolts. Aluminum construction.
Drop Conduit Bracket - Order #841-2



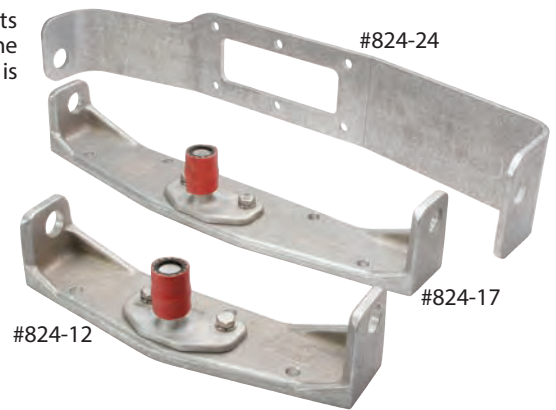
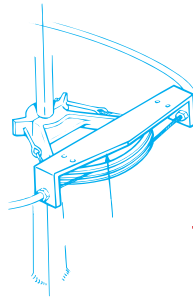
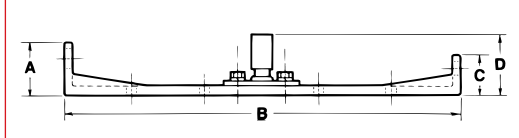
Edson's Internal Conduit Bracket mounts inside the pedestal column, allowing the conduit to hug the bottom of the cockpit floor. For ease of installation and maintenance, it is held in position by the pedestal mounting bolts. Aluminum construction.
Internal Conduit Bracket - Order #868-2



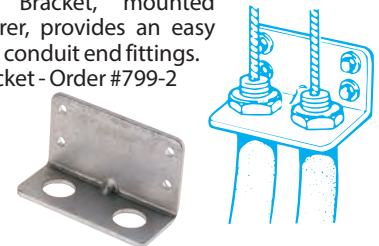
Edson's Pull-Pull Conduit Bracket with Rudderstop is ideal for terminating the conduits at the quadrant when there are no bulkheads to utilize. It is easily bolted through the cockpit sole and comes with its own rudderstop post. 24" Transom mount version is used with Edson's Small Boat Steerer or other transom-hung rudder designs.
12"/30 cm Conduit Bracket with Rudderstop - Order #824-12 Wt. 2.75 lb (1.2 kg)
17"/43 cm Conduit Bracket with Rudderstop - Order #824-17 Wt. 3.3lb (1.5 kg)
24"/61 cm Transom Mount Conduit Bracket - Order #824-24 Wt. 2.5lb (1.1 kg)

CONDUIT BRACKET DIMENSION GUIDE

Order #	A	B	C	D
824-12	3" (76mm)	12" (305mm)	2½" (64mm)	2½" (67mm)
824-17	3" (76mm)	17" (432mm)	1¾" (64mm)	2½" (67mm)
824-24	5" (127mm)	24" (610mm)	4" (102mm)	N/A



Edson's Right Angle Bracket, mounted below a bulkhead steerer, provides an easy anchoring point for both conduit end fittings.
Right Angle Conduit Bracket - Order #799-2



Pull-Pull Accessories

Edson's Conduit Lubricant is a Teflon® grease for use in all Edson Systems. Ideal for both conduit and needle bearing use.

14 oz. Cartridge - Order #827-14

3 oz. Tube - Order #827-3

1/2oz. tube (not shown) - Order #827-.50



Edson's In-Line Conduit Greasers are a simple, efficient way to lubricate your conduit. One should be installed in an accessible area of straight conduit as close to the middle of each run as possible - preferably every 3'-5' where serviceable. Comes complete with two clamps and grease cup. Two sizes match Edson Conduit; #918-250 is molded white Celcon™, #918-312 is Black Anodized Aluminum.

In-Line Greaser for #853-250 Conduit - Order #918-250C
Wt. 4oz (112g).

In-Line Greaser for #853-312 Conduit - Order #918-312
Wt. 7.5oz (121g).



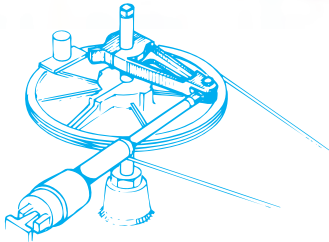
Edson's Bronze Conduit Fairleads placed at regular intervals, secure the conduit and make a neat, clean installation.

Fairlead for #853-250 Conduit - Order #904-250

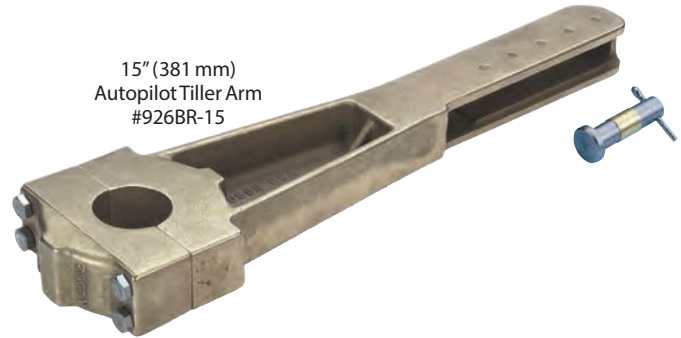
Fairlead for #853-312 Conduit - Order #904-312

Autopilot Tiller Arm Adapters

Bronze Tiller Arms



10" (254 mm)
Autopilot Tiller Arm
#926BR-10



15" (381 mm)
Autopilot Tiller Arm
#926BR-15

- Specifically designed for use with linear drive autopilot systems.
- Keeps Autopilot independent of Steering System.
- Makes Autopilot an "Electronic Emergency Tiller"
- Available in 10" (254 mm) and 15" (381 mm) lengths for use with most of the autopilots on the market today.
- 1" (25 mm) wide slot to accept ball end fitted with 1/2" or 12 mm diameter pins.
- Accommodates rudderposts to 5" (127cm).
- Custom pin sizes are available upon request.
- Constructed of Manganese Bronze or Anodized Aluminum.
- Variable attachment points to allow for proper positioning of the attachment point of the autopilot.

NOTE!

Edson Tiller Arms are now available in Bronze or Anodized Aluminum. Bronze - used for cruising boats and boats with stainless or bronze rudderposts. Aluminum - used for racing boats or boats with Aluminum or composite rudderposts. See ordering guide for available sizes and materials.



Important!

Edson highly recommends installing an autopilot independent of the primary steering system. This provides for a redundant/back-up system in the event of steering gear or cable failure—in effect an "Electronic Emergency Tiller". Edson's Autopilot Tiller Arm allows the autopilot to be mounted independently of the primary steering system and should be used to attach an autopilot to the rudderpost.

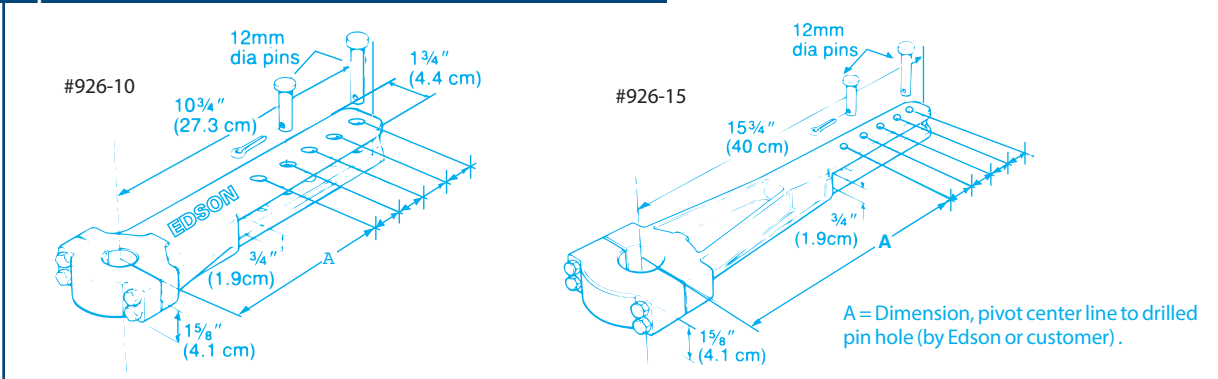
IN NO CASE SHOULD THE AUTOPILOT BE ATTACHED DIRECTLY TO THE QUADRANT OR RADIAL DRIVE WHEEL!

BRONZE TILLER ARM ORDERING GUIDE

ORDER #	Tiller Arm Length		Pilot Bore		Max Bore		Max Keyway	Weight	Each	
	inches	mm	inches	cm	inches	cm	cm	lbs	kg	
926BR-10-610-MKII	10	254	7/8	2.2	3 1/4	8.3	1/2	1.3	10.5	4.8
926BR-10-14-MKII	10	254	3/4	8.3	5	12.7	5/8	1.6	14	6.4
926BR-15-610	15	381	7/8	2.2	3 1/4	8.3	1/2	1.3	15	6.8
926BR-15-14	15	381	3/4	8.3	5	12.7	5/8	1.6	19	8.6
926BR-15-57	15	381	5	12.7	7	17.8	5/8	1.6	29	13

NOTE: Pilot Bore of "0" = solid casting - no pre-cast hole.

Autopilot Tiller Arm Dimensions

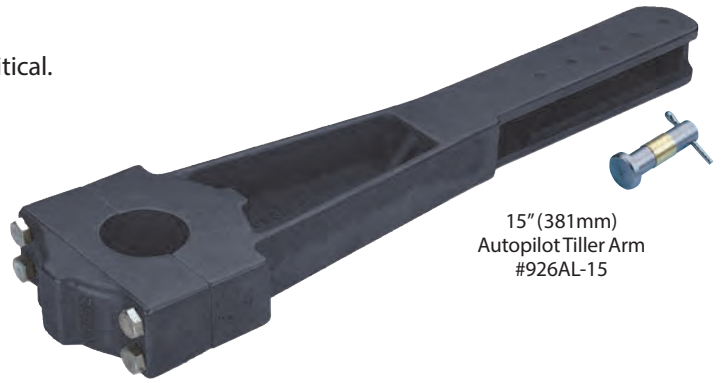


Aluminum Tiller Arms

- Designed for racing boats where weight savings is critical.
- Solid Cast Aluminum Construction
- Black Anodized for durability
- For rudderposts up to 7" (175mm) in diameter.



10" (254 mm)
Autopilot Tiller Arm
#926AL-10



15" (381mm)
Autopilot Tiller Arm
#926AL-15



GO TO

See Tech Tip on page 25 for information on securing Tiller Arm to Ruddershaft and request Engineering Bulletin #373-97-2 "Tiller Arm Worksheet".

ALUMINUM TILLER ARM ORDERING GUIDE

ORDER #	Tiller Arm Length		Pilot Bore		Max Bore		Max Keyway		Weight Each	
	inches	mm	inches	cm	inches	cm	inches	cm	lbs	kg
926AL-10-610-MKII	10	254	0	0	3/4	8.3	1/2	1.3	4.2	1.9
926AL-10-14-MKII	10	254	3/4	8.3	5	12.7	3/8	1.6	5.6	2.5
926AL-15-610	15	381	0	0	3/4	8.3	1/2	1.3	6	2.7
926AL-15-14	15	381	3/4	8.3	5	12.7	3/8	1.6	7.6	3.4
926AL-15-57	15	381	5	12.5	7	17.5	3/8	1	13	5.9

NOTE: Pilot Bore of "0" = solid casting - no pre-bored hole.

Autopilot Tiller Arms for J-Boats



Because of their unique rudderpost shape, J-Boats require a specially shaped tiller arm. It is designed to clamp onto the fiberglass rudderpost directly above the Radial Drive Wheel. For J-Boats from 35' to 53'. Wt. 5.8 lbs (2.6 kg).

Autopilot Tiller Arm for J-37, J-40, J-42, J-44, J-46, J-105, J-120, & J-130 - Order #836AL-J-12
Autopilot Tiller Arm for J-160 - Order #836AL-J-160

Tiller Arms are available for all J-Boats. Use #926AL if your boat is not listed. Contact Edson for more information if yours is not shown.



J-Boat Autopilot Tiller Arm
#836AL-J-12

Tiller Arm Installation Information

NOTE!

When Ordering Specify:

- Rudderpost Diameter
- Keyway size and location
- If a thru-bolt will be used instead of a key
- For additional installation information, please request Engineering Bulletin EB-97-373.

CHART TO DETERMINE AUTOPILOT ATTACHMENT POINT ON TILLER ARM

Ram travel	Distance from CL Rudderpost to CL Autopilot Attachment			Ram travel	Distance from CL Rudderpost to CL Autopilot Attachment		
	70° of rudder travel	80° of rudder travel	90° of rudder travel		70° of rudder travel	80° of rudder travel	90° of rudder travel
7" (17.8 cm)	6 1/8" (15.4 cm)	5 7/8" (13.8 cm)	5" (12.7 cm)	12" (30.5 cm)	10 1/2" (26.7 cm)	9 3/8" (23.8 cm)	8 1/2" (21.6 cm)
8" (20.3 cm)	7" (17.8 cm)	6 1/4" (15.9 cm)	5 5/8" (14.3 cm)	13" (33.0 cm)	11 1/2" (29.2 cm)	10 5/8" (25.7 cm)	9 3/8" (24.9 cm)
9" (22.9 cm)	7 7/8" (20.0 cm)	7" (17.8 cm)	6 3/8" (16.2 cm)	14" (35.6 cm)	12 1/2" (30.8 cm)	10 7/8" (27.6 cm)	10" (25.4 cm)
10" (25.4 cm)	8 3/4" (22.2 cm)	7 1/8" (19.8 cm)	7 1/8" (18.1 cm)	15" (38.1 cm)	13 1/8" (33.2 cm)	11 1/8" (29.7 cm)	10" (25.4 cm)
11" (27.9 cm)	9 5/8" (24.4 cm)	8 3/8" (21.9 cm)	7 7/8" (20.0 cm)	16" (40.6 cm)	14" (35.6 cm)	12 1/2" (31.8 cm)	11 1/4" (28.6 cm)

NOTE: Attachment point will ultimately be determined by the torque output of your autopilot versus your boat's rudder loads. Refer to your autopilot manufacturer's installation instructions for mounting distance of the autopilot drive arm along the tiller arm. Your autopilot must not be used as the rudderpost stop.

Aluminum Drag Links

Edson Drag Links are the perfect solution for twin helm and twin rudder configurations. Turnbuckle-style adjustment and locking nuts provide a secure, custom fit.

- Precision cut and machined from lightweight hexagonal Aluminum 6061 extrusion.
- Aircraft grade anodized alloy end fittings
- Self aligning to 20 degrees at each end
- Custom cut to fit - order eye to eye length
- Max length 72"

Aluminum Drag Link - Order #617CDI (Specify length eye-to-eye - see price page).



Transom Hung Rudder System for Small Boats

Edson's Transom Hung Rudder Steering System is a versatile design for many boats up to 27' with transom hung rudders. The system features Edson's unique Transom Conduit Bracket which anchors the conduit, incorporates the rudder stops and mounts directly to the boat transom as one unit. The system utilizes Edson's #336 pedestal so it can accept Edson's full line of accessories such as Engine Controls, Wheel Brakes, Tables and Drink Holders. Steering cables lead to port and starboard. Approximately 1 turn hardover to hardover through 72° of rudder travel. Max. wheel size 24".

Transom Hung Rudder Steering System - Order #332-C250

Transom Hung Rudder Steering System Includes:

Qty	Order #	Description
1	336-5-211T	Pedestal
1	775-2515B13	Chain and Wire Rope Assy.
1	868-2	Internal Conduit Bracket
1	329-48	Tiller Arm Assembly
2	797-6	Pull-Pull Conduit Assy.
4	646-4HEX	Pedestal Mounting Bolts
2	618-0-250	Take Up Eyes
4	665ST-187	Wire Rope Clamps
1	960-B-645	Rudder Stop Plate
1	960-A-2087	Take Up Eye Pivot Pin
1	824-24	Transom Conduit Bracket Assembly
1	960-B-444	Transom Face Plate
1	960-B-446	Transom Boot

To complete your Steering System, add your choice of Edson Steering Wheel (24" maximum) and Accessories.

Straight Wheel Shafts are still available on special order. Contact Edson Customer Service.



The Catalina 250 is available with an optional Edson Transom Hung Rudder Steering System.

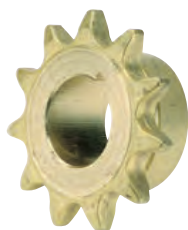


Photo courtesy of Catalina Yachts

Ideal for Boats
with Transom Hung
Rudders up to
27'/8.5m!

Steering System Chain Sprockets

Single Hub Sprockets



Single Hub Sprocket
#636

When space is limited, use these non-magnetic Brass and Bronze sprockets with hubs on one side. These sprockets accept American Standard Roller Chains (Edson #630). Specify set screws or drive pin when ordering.

SINGLE HUB SPROCKET ORDERING INFO

Order #	Description
636-2-11*	11 Tooth Sprocket for 5/8" #50 chain
636-2-15	15 Tooth Sprocket for 5/8" #50 chain
636-3-13	13 Tooth Sprocket for 3/4" #60 chain

*IMPORTANT: Specify BR for bronze or ST for Stainless (size 2-11 only)

Double Hub Sprockets



Stainless Double-Hub Sprocket
#855ST-2-11
(For Thru-Shaft Brake Steerers -
#336, #402, #408)



Bronze Double-Hub Sprocket
#855BR
(For Side-Mount Brake Steerers -
#335, #400, #410)

Use these double hub sprockets when space will allow; their extra length will spread the load. They are the same as the single hub sprockets but have a hub on both sides of the sprocket teeth with one side knurled for a brake. The Double Hub Sprocket is the standard sprocket used in Edson Pedestals. Use Bronze for side-mount brakes, Stainless for thru-shaft brakes.

DOUBLE HUB SPROCKET ORDERING INFO

Order #	Description
855-2-11*	11 Tooth Sprocket for 5/8" #50 chain
855-2-13	13 Tooth Sprocket for 5/8" #50 chain
855-2-15	15 Tooth Sprocket for 5/8" #50 chain
855-2-17	17 Tooth Sprocket for 5/8" #50 chain
855-2-21	21 Tooth Sprocket for 5/8" #50 chain
855-3-10	10 Tooth Sprocket for 3/4" #60 chain
855-3-13	13 Tooth Sprocket for 3/4" #60 chain
855-3-15	15 Tooth Sprocket for 3/4" #60 chain
855-3-17	17 Tooth Sprocket for 3/4" #60 chain

*IMPORTANT: Specify BR for bronze or ST for Stainless (size 2-11 only).

Edson Pedestal Maintenance & Spares Kits



Pedestal Maintenance Kit
Includes the parts needed for basic routine maintenance to keep your Pedestal running smoothly.
Includes:
Snap Rings (2)
Shaft Keys (2)
Shaft Washer
Teflon Grease
Threadlock
Pedestal Maintenance Guide
Order #312-335-400

Pedestal Rebuild Kit
Bring new life to your older #335 Edson Pedestal with this complete Rebuild Kit.
Includes:
Needle Bearings (2)
Snap Rings (2)
Shaft Keys (3)
Shaft Washer
Drive Pin
Nylon Washers (2)
O-Ring
Teflon Grease
Threadlock
Pedestal Maintenance Guide
Order #314-335

CD-i Geared Steering Pedestal Maintenance Kit
The ideal onboard maintenance & spares kit for any Edson CDi Geared Steering System.
Includes:
1- Right Hand Rod End with Nut
1- Left Hand Rod End with Nut
1- Wheel Shaft Key
1- SS Shaft Washer
1- SS Snap Ring
1- .5oz. Superlube Teflon Grease
Maintenance Instructions
Order #312-CDi



Brake Maintenance Kit
Just like your car, your boat's wheel brake needs periodic relining. This kit includes all you need to make your brake work like new again.
Includes:
Bronze Brake Legs with Brake Pads (2)
Cotter Pin
Stainless Washer
Nylon Bushing
Removal & Installation Instructions
Order #316-689
PLEASE NOTE: This kit is for Edson's side-mount wheel brakes only — not for thru-shaft wheel brakes.



Edson's White Touch-up Paint
Custom formulated to match Edson's white baked-on urethane powder coating finish. Ideal for small nicks and scratches in your Pedestal, Engine Control or other white powder-coated aluminum parts. Includes 2 bottles per package.
Pre-2011 Pedestals - Order #333-1
2011 and Newer - Order #333-2

14 oz Lubricant
827-14



3 oz Lubricant
827-3

Superlube® is a Teflon® grease for use in all Edson Systems. Ideal for both conduit and needle bearing use.
14 oz. Cartridge – Order #827-14
3 oz. Tube – Order #827-3
1/2oz. tube (not shown) - Order #827-.50



Thru-Shaft Brake Rebuild Kit
Replacement Brake Pad, Shaft and Snap Ring for Edson #336 and #402 Pedestals with Thru-Shaft Brakes. Knob not included - please contact Edson customer service for proper replacement knob/shaft combo for your boat.
Order #316-336-402-TSB



For larger areas or complete Pedestal refinishing, visit edsonmarine.com for repainting instructions.



Tef-Gel™ Corrosion Inhibitor
We recommend Tef-Gel on Compass Bolts or anywhere stainless bolts are installed in aluminum to reduce corrosion caused by dissimilar metals.
3cc tube.
Order #2470

Pedestal Guards & Accessories

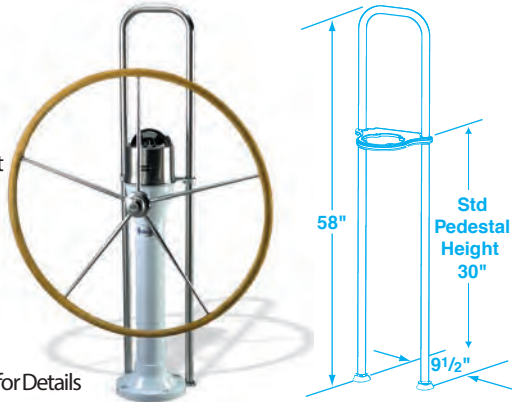
Edson's Pedestal Guards are designed to protect your compass and to provide a firm handhold for your crew. The Guard is narrow enough for crew members to slide by and it affords extra protection on those boats with a mainsheet traveler just forward of the pedestal.

- Marine-Grade Stainless Construction
- Provides the ability to mount convenience items such as Cockpit Tables, Drink Holders, Chart Board, Instrument Housings, etc.
- All Edson Guard Kits come complete with Stainless Guard Tube, Stainless Top Plate and Stainless Guard Feet.
- Three versions to accommodate various instrument and housing combinations.
- Extra Large 1 1/2" Diameter Tubing on 9 1/2" (24.1 cm) wide centers gives more space for instrument wiring.

58" Straight Guard

Provides protection for your compass, a convenient handhold and the ability to mount Instrument Housings, Radar Pods or multiple displays while increasing their visibility.

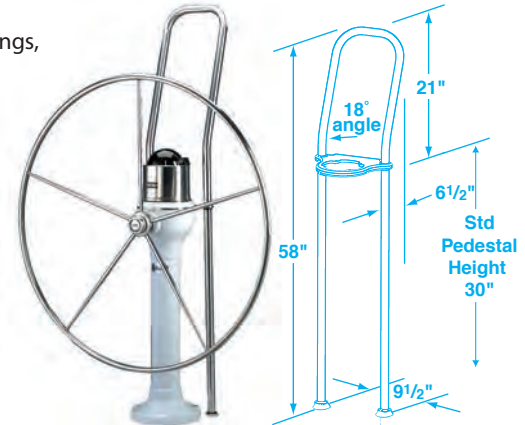
Order #1600
See Ordering Guide for Details



58" Angled Guard

Gives you extra room to install Instrument Housings, Radar Pods or multiple displays while the new angle increases their visibility.

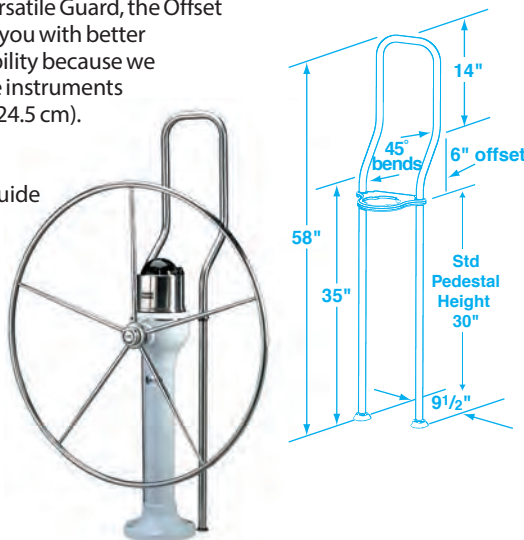
Order #1620
See Ordering Guide for Details



58" Offset Guard

Edson's most versatile Guard, the Offset Guard provides you with better instrument visibility because we have moved the instruments forward by 7" (124.5 cm).

Order #1610
See Ordering Guide for Details



Replacement Stainless Top Plates and Guard Feet



Stainless Top Plate

Included with all Pedestal Guard Kits, Edson's Stainless Top Plate is made of Investment-cast 316 Stainless and polished to a mirror finish. It will accommodate 1", 1-1/8" and 1-1/4" pedestal guard tubing on 9-1/2" centers with the provided plastic bushings. These also provide rattle-free isolation between the stainless tubes and top plate, making removal in the future easier. It can be ordered separately, so you can upgrade your older pedestal with the white aluminum version.

Stainless Top Plate Only
For 335 & 336 Pedestals - Order #1625ST-45
For #400, 402 & 464 Pedestals - Order #1625ST-6



Stainless Guard Feet Kit - Order #310ST-100-125

Stainless Guard Feet
Can also be ordered in pairs as a direct replacement for Edson's black plastic feet. Gasket and bushing allow for mounting 1", 1-1/8" or 1-1/4" guard pipes. Nuts and washers included.

PEDESTAL GUARD KIT ORDERING GUIDE

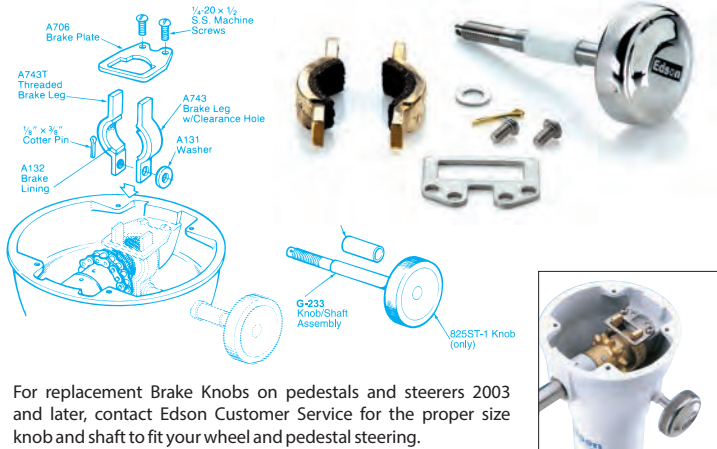
Edson Pedestal Guard kits come complete with Stainless Guard Pipe, Top Plate and Feet. All are 9 1/2" wide on center. The Guard Top Plate fits directly on top of the Pedestal or Engine Control. The diameter of the Pedestal Bowl defines the proper kit size to order.

To Fit Pedestal	Pedestal Bowl Top Dia.	Order #				Stainless Top Plate Only
		58" Straight Guard Kit (Each includes Stainless Top Plate and Feet)	58" Offset Guard	58" Angled Guard		
335, 336, 337	6 1/2" (17.2 cm)	1600-45-58S	1610-45-58OS	1620-45-58A	1625ST-45	
400, 402, 464 CDI Classic	8" (20.3 cm)	1600-6-58S	1610-6-58OS	1620-6-58A	1625ST-6	
1 1/2" Guard Pipe Only	N/A	960-B-781	960-B-782	960-B-784	N/A	
SS Guard Feet Only	N/A	#310ST-100-125 (for all sizes)				N/A

Pedestal Wheel Brake for Pre-2003 Steerers

The Edson Friction Brake for Pedestal Steerers is designed to dampen the action of the wheel and is the most popular accessory for all steerers. Especially handy on long runs or when operating under power, these brakes can be used to secure the wheel under most conditions and will hold the boat on course while the helmsman trims a sheet or goes below. The brake can always be overridden by the helmsman. Brakes are constructed of bronze with long-lasting brake linings and are supplied with a stainless shaft and brake knob. For safety, the handle is designed to "pop off" if a line gets tangled around it. Edson pre-drills all holes required for the installation of the wheel brake which allows an Edson wheel brake to be retrofitted in approximately 20 minutes.

NOTE: Since 2003, all steerers feature thru-shaft wheel brakes and this brake kit is not applicable for these newer pedestals.



For replacement Brake Knobs on pedestals and steerers 2003 and later, contact Edson Customer Service for the proper size knob and shaft to fit your wheel and pedestal steering.

DESCRIPTION	ORDER #
Wheel Brake for older Edson Pedestals #334, 335 and 400.	#689ST-456
Wheel Brake w/ 8" Shaft for #410 Steerers	#689ST-8
Wheel Brake w/ 12" Shaft for #410 Steerers	#689ST-12
Stainless Replacement Knob	#825ST-1
Edson Brake Maintenance Kit	#316-689

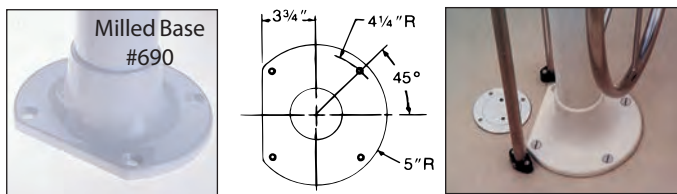


Edson's Stainless Replacement Brake Knob can be easily retrofitted onto your older Edson Pedestal. Easy press-on installation requires no tools.
Order #825ST-1



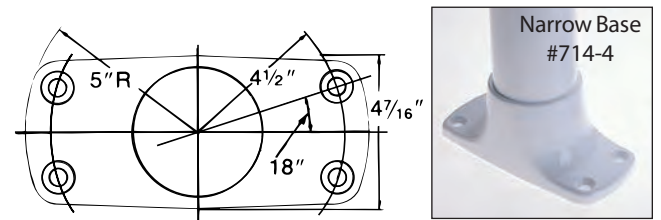
Edson's Brake Maintenance Kit includes everything you need, including complete brake legs with pads, to bring new life to your side-mount Edson brake.
Order #316-689

Optional Pedestal Bases



Edson's Milled Base is ideal for steerers up against a bridge deck or emergency tiller fittings. The Milled Base is adaptable to Edson Classic Pedestals. Removes 1/4" from either the aft or forward side of the pedestal. NOTE: As all pedestals are pressed and welded together, base must be ordered with pedestal. Edson's #646 Hex Head Bolts must also be used. Allow 2-3 weeks extra delivery time.

Milled Base Forward – Order #690-4MBF
Milled Base Aft – Order #690-4MBA



Edson's Narrow Base - For a narrow bridge deck or for pedestals up to about 15" (380mm) high. Adaptable to Edson Classic pedestals. NOTE: As all pedestals are pressed and welded together, base must be ordered with pedestal. Edson's #646 Flat Head Bolts must also be used. Allow 2-3 weeks extra delivery time.
Narrow Base - Order #714-4

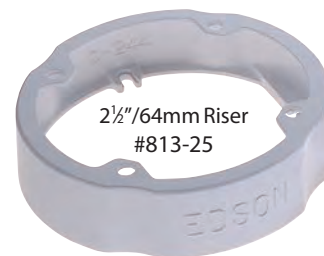
Aluminum Pedestal Bolts



Edson's Aluminum Pedestal Bolts - Four Required. Since 1987, all Edson Pedestals use the exclusive Edson Hex Head Aluminum Bolts. With this improvement they lock in place and require only one person to tighten them. They fit flush with the base and made of aluminum, eliminating reaction from dissimilar metals. Flat head bolts are still available for boats with pedestals installed prior to February 1987.

4" Hex Head Aluminum Bolts – Order #646-4HEX
6" Hex Head Aluminum Bolts – Order #646-6HEX
8" Hex Head Aluminum Bolts – Order #646-8HEX
4" Flat Head Aluminum Bolts – Order #646-4FLAT

Pedestal Riser



Edson Pedestal Riser - Cast in Aluminum and finished in a highly durable glossy white baked-on urethane, the Pedestal Riser will raise your pedestal 2 1/2" (64mm) for more steering wheel clearance. You may need to order longer #646 Pedestal Bolts.
2 1/2" (64mm) Pedestal Riser – Order #813-25

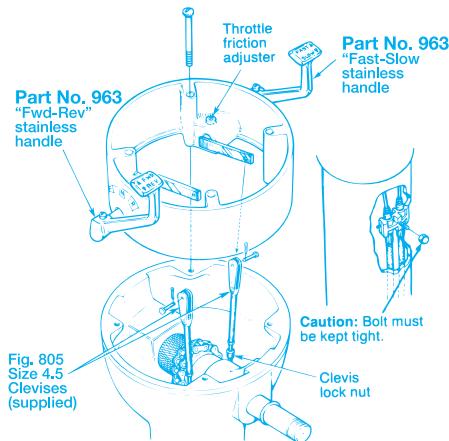
Engine Controls - Dual Lever

Edson's Standard Clutch and Throttle Control features matching stainless control handles which are conveniently located on each side of the pedestal and are clearly marked for "Forward" and "Reverse", "Fast" and "Slow". For precision speed control there is a Throttle Friction Adjustment Screw inside the housing. This control is easy to install and can be used with any transmission that uses 33 Series (Edson #734) cables such as: Hurth and Borg Warner Velvet Drive Transmissions typically found on Universal, Ford Lehman, Yanmar and Westerbeke engines. This control should only be used where pulling on the clutch cable end engages the transmission in forward gear. If the opposite occurs, the #816 shown below should be used.

Clutch & Throttle Control for 334, 335, 336 & 337 Pedestals - Order #870ST-45
 Clutch & Throttle Control for 400, 402 & 403 Pedestals - Order #870ST-6



#870ST Engine Control includes Clutch and Throttle Control Housing, Stainless Handles, Clevises, Cable Holder, and all necessary hardware.

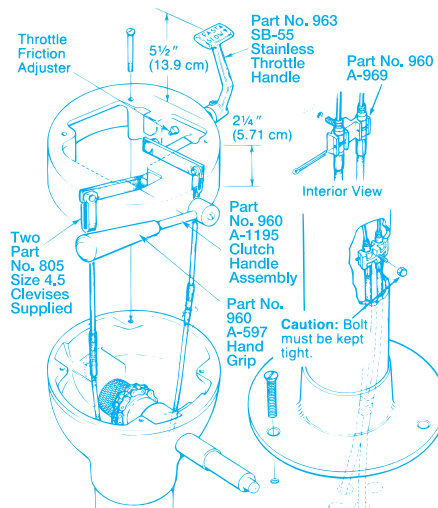


GO TO

See Page 37 for Engine Control Cables

Edson Clutch and Throttle Control is designed for transmissions that go into reverse when the cable is extended at the pedestal end. Also for harder to shift transmissions. Only for transmissions that specify 33 Series (Edson #734) Control Cables. The clutch handle is 6" (152mm) long and is easily operated up and down by reaching over the wheel. The Throttle Handle is polished Stainless and clearly marked for "Fast" and "Slow" speeds. A Throttle Friction Adjustment Screw and a Clutch Travel Limiter are standard features.

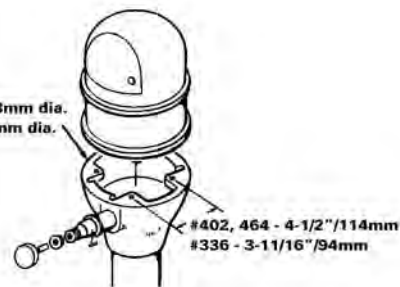
Clutch & Throttle Control for No. 334, 335, 336 & 337 Pedestals - Order #816ST-45



Tech Tip

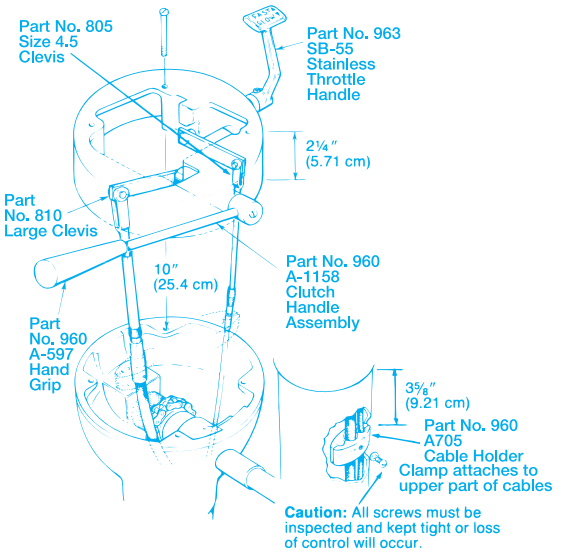
How do I determine which Edson Pedestal I have?
 Edson makes two sizes of Classic Pedestals: a 300 Series with 6-7/8" diameter top (often referred to as size 45, since they will hold a compass with a 4" or 5" card), and a 400 Series with 8" diameter top (often referred to as size 6, since they will hold a compass with a 6" card).
 When ordering pedestal accessories, look for size 45 for 6-7/8" 300 Series Pedestals and size 6 for 400 Series 8" Pedestals.

#402, 464 - 8"/203mm dia.
 #336 - 6-7/8"/174mm dia.



Edson "Mechanical Shift" Clutch and Throttle Control is designed for use with 64 Series (Edson #735) Transmission Cables and 33 Series (Edson #734) Throttle Cables. The clutch handle is 10"(254mm) long to provide increased shifting leverage for Atomic 4 and other hard to shift transmissions. The Part No. 963SB-55 Throttle Handle is polished Stainless and clearly marked for "Fast" and "Slow" speeds. A Throttle Friction Adjustment Screw is a standard feature.

Clutch & Throttle Control for No. 334, 335, 336 & 337 Pedestals – Order #751ST-45



#751ST Engine Control includes all of the parts shown in the above photo.

Engine Control Installation Guidelines

- All Edson Dual Lever engine controls are designed to be used with only those engine transmissions having detents to locate and hold the transmission in gear.
- Lead cables under the deck using a minimum number of bends with a generous radius. The degree of bend in the cable, when all bends are added together, should not exceed 270 degrees. Tape or clamp to several structural members to reduce cable lost motion and prevent interference with sheaves and wire rope.
- Cables may be adjusted by screwing the clevises at the engine control or engine end in or out, or by attaching the clevis at a different position on the shift or throttle levers at the engine end.
- If engine vibration causes unwanted throttle movement, adjust throttle friction adjuster.
- Those on board must be familiar with the maintenance and operation of the controls. All screws must be kept tight and cotter pins properly secured.

Type Control	Edson Shift Cable Used	Edson Throttle Cable Used	Max. Clutch Cable Throw	Max. Throttle Cable Throw	Approx. Max. Operator Input for a Properly Adjusted Transmission
# 751	# 735	# 734	3 3/8" (86 mm)	3" (76 mm)	15 to 20 lbs. (6.8 to 9 kg)
# 870	# 734	# 734	3" (76 mm)	3" (76 mm)	5 to 10 lbs. (2.2 to 4.5 kg)
# 816	# 734	# 734	3" (76 mm)	3" (76 mm)	10 to 15 lbs. (4.5 to 6.8 kg)

Note: Max. cable throw figures on using Edson's standard 4" (10.2 cm) Column Pedestal.

Stainless Pedestal Upgrade Kits

Edson's Stainless Pedestal Upgrade Kit includes all of the pedestal items that have been upgraded from plastic to stainless steel over the years including Guard Feet & Top Plate, Wheel Nut, Engine Control Handles and Brake Knob. Four different models to choose from depending on your pedestal size and engine control handle configuration. See Tech Tip on pg 35 for pedestal sizing information.

Kit Contents:

- Stainless Throttle Handle - #963SB-55
- Stainless Clutch Handle - #963PT-55 or Black Plastic Clutch Handle - #960-A-597
- Stainless Wheel Nut (fits 1" or 3/4" threads with insert) - #673ST
- Stainless Top Plate - #1625ST-45 or #1625ST-6
- Stainless Guard Feet - #310ST-100-125
- Stainless Brake Knob - #825ST-1

For 300 Series 6-7/8" Dia. Pedestals - Order #315-870-45
 For 300 Series 6-7/8" Dia. Pedestals with Black Clutch Handle - Order #315-751-816-45
 For 400 Series 8" Dia. Pedestals - Order #315-870-6
 For 400 Series 8" Dia. Pedestals with Black Clutch Handle - Order #315-751-816-6



#315-870



#315-751-816



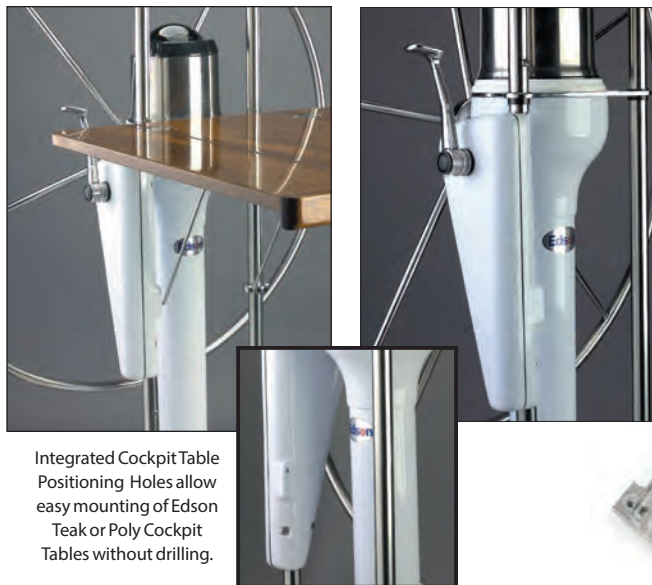
Buy Online at www.edsonmarine.com

Engine Controls - Single Lever

Edson's Side-Mount Single-Lever Engine Control provides simple, safe, one-handed operation while maneuvering your boat under power. Mounted on the Pedestal with the choice of three different 1 1/2" diameter Stainless Pedestal Guard Pipes and a stainless Top Plate, it takes up virtually no additional cockpit space and incorporates positioning holes for quick mounting of any of Edson's Teak or Poly Cockpit Tables.

Features of the Control:

- Single-Lever operation of both the clutch and throttle.
- Comes complete with Morse SL3 Engine Control Mechanism.
- Neutral Lockout—throttle can be operated without engaging transmission.
- Positive detents for transmission.
- Constructed of the highest quality non-magnetic marine-grade materials.
- Cast Aluminum Housing with Glossy White Baked-on urethane finish—matches Edson Pedestals.
- Highly polished investment-cast 316 Stainless Handle.
- Stainless Top Plate, Guard Pipes and Guard Feet Included.
- Mounts to the Edson Pedestal with choice of Three Different Pedestal Guard Pipes.
- Sized to fit 6-7/8" or 8" Edson Pedestal Bowls.
- Fits all Edson Pedestals Classic Style Pedestals with Thru-Shaft Brakes.
- Gasketed Housing—keeps moisture away from mechanism and cables.



Integrated Cockpit Table Positioning Holes allow easy mounting of Edson Teak or Poly Cockpit Tables without drilling.



Edson Single Lever Engine Controls are also available alone for bulkhead mounting.

- Stainless Handle, Stainless Faceplate and Gasket included
- Single Lever for intuitive control
- Uses Series 33 Control Cables
- Neutral Lock-Out Mechanism Revs Engine for Battery Charging
- Can mount on any Vertical Bulkhead

Order #910-SL3-TAPER
Replacement Cover & Lockout Button
Order #313-910



GO TO

See Page 37 for Engine Control Cables

SIDE MOUNT SINGLE LEVER ENGINE CONTROL ORDERING GUIDE

To Fit Edson Pedestal	With 58" Straight Guard Order #	With 58" Angled Guard Order #	With 58" Offset Guard Order #
#336 (6-7/8" Dia. Pedestal Top)	1660-45C-58S	1660-45C-58A	1660-45C-58OS
#402, #464 (8" Dia. Pedestal Top)	1660-6C-58S	1660-6C-58A	1660-6C-58OS

NOTE: All sizes come complete with engine control mechanism, handle, housing, stainless top plate, guard pipe and feet. The installer furnishes the appropriate control cables. Not to be used with Atomic 4 or other hard to shift mechanical transmissions. Control must be used with Edson 1 1/2" Guards and Thru-Shaft Wheel Brake.

Stainless Engine Control Handles

Order these to upgrade your older Edson controls. Highly polished, marked "Fast-Slow" and "Fwd-Rev". They can be easily retrofitted onto existing Edson engine controls.

Throttle Handle – Order #963SB-55

Clutch Handle – Order #963PT-55



Clutch Handle
#963PT-55

Throttle Handle
#963SB-55



IMPORTANT

- These handles are only for Edson's Dual Lever Engine Controls.
- Older pedestals with 10-32 engine control shaft threads must be retapped to 1/4"-28 in order accept the mounting screws supplied with these handles.

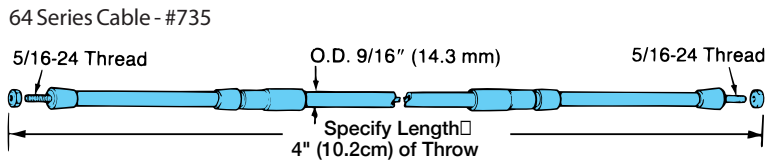
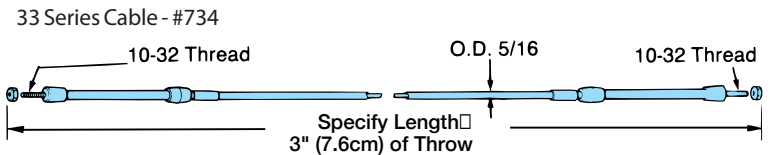
Engine Control Cables

The proper engine control cables will have a dramatic effect on the performance of your engine control. Edson carries only premium, high-efficiency cables that feature a flexible inner core that allow for complex routing without stiffness.

Cables are not included with the engine controls because the length varies with each installation. For lengths available see Price Page.

33 Series Throttle and Clutch Cable - Order #734 (Specify Length)

64 Series Clutch Cable - Order #735 (Specify Length).

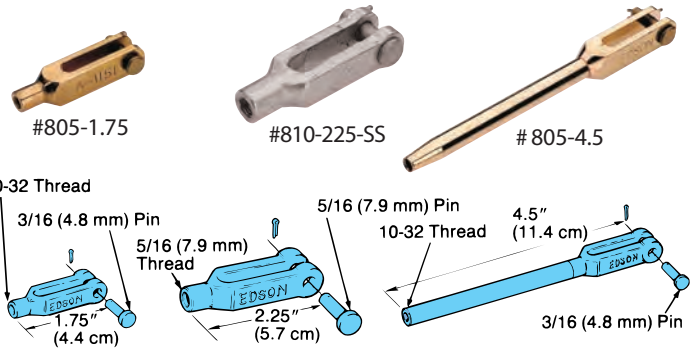


Bronze Engine Control Clevises

Each engine control is supplied with solid bronze or stainless clevises with clevis pins for the engine control end. Extra clevises for the engine must be ordered separately.

#805-4.5 comes standard with #816 and #870 Controls.

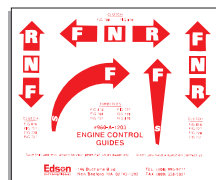
#810-225 accommodates 64 Series Cables and is included with #751 controls for the gear shift.



Engine Control Decal

A red decal on your engine controls provides you and your guests with instructions at a glance. It is supplied with all new controls. Order a replacement if yours has become unreadable. Works for all engine controls.

Order #960-A-1203



Engine Control Cable Clamps

Nylon for 5/16" 33 Series Cable - Order #960-A-969

Aluminum for 9/16" 64 Series Cable - Order #960-A-705



#960-A-969
(Use with #816 & #870 Controls)



#960-A-705
(Use with #751 Controls)

The Magnetic Marine Compass is probably still the most important navigation instrument that you can have on any boat. Because Edson understands the importance of the proper installation of a compass you can be assured that all of our steering pedestals have been designed and manufactured to accept the wide variety of compasses without interfering with their sensitive magnets.

Edson Vision Series™ Compass Bowl

Edson's Compass Bowl allows the mounting of a flush-mount compass between the guard pipes. Ideal for installations where there is limited space on the pedestal for the compass or the compass needs to be mounted away from instruments that may cause magnetic deviation. It also puts the compass higher, closer to the line of sight, making steering a course much easier, especially at night. Robust Stainless and thermoformed ABS construction. Mounts between Edson Standard guard pipes with 9-1/2" centers. Stainless mounting hardware included.

Edson Compass Bowl for 3.5" & 4" Compasses – Order #2150-95-4

Edson Compass Bowl for 5" Compasses – Order #2150-95-5

NOTE: Pedestal Guard sold separately - see page 32.



Flush Compasses

For Use With Edson Vision Series™ Pedestals and #856 Compass Cylinders

Flush Mount Compasses can be mounted directly on an Edson Vision Series "MV" Pedestal or to a Classic Pedestal by using the #856 Compass Cylinders shown on page 39. These compasses have either 3 3/4", 4" or 5" dials with 5° increments, full internal gimbals, 45° lubber lines, night lighting in a movable sun shield and adjustable compensators. These Ritchie Compasses are available in either white or black finish.

Flush Mount Compasses with 3 3/4" dials:

Ritchie Helmsman Black (shown)

Ritchie Helmsman White

Order #658-HF-742

Order #658-HF-742W

Flush Mount Compasses with 4" dials:

Ritchie Navigator Black

Ritchie Navigator White (shown)

Order #658-FN-201

Order #658-FNW-201

Flush Mount Compasses with 5" dials:

Ritchie SB500 (shown above)

Order #658-SB-500



#658-HF-742



#658-FNW-201

Binnacle Compasses

For Edson 336, 402 and 464 Pedestals

Binnacle Compass can be mounted directly to the Edson Spacemaker Pedestals using the standard 4-bolt pattern on the top of the pedestal or optional Edson Engine Control Housing. Ritchie manufactures binnacle models with choices of 4 1/2", 5" or 6" dial sizes and optional finishes and materials. They all have 5° increments, built-in compensators, night lighting, full gimbals and 45° lubber lines.

Binnacle Mounts with 4 1/2" dials for 336 & 337 Pedestals:

Ritchie Navigator Stainless

Ritchie Navigator Black (shown)

Ritchie Navigator White (shown)

Order #658-DNP-200

Order #658-DNB-200

Order #658-DNW-200



#658-SP-5C

#658-DNB-200



#658-DNW-200

Binnacle Mounts with 5" dials for 336 & 337 Pedestals:

Ritchie Globemaster SP-5 (shown)

Ritchie Globemaster SP-5B

Order #658-SP-5C

Order #658-SP-5B

#658-D-515-EP

Traditional Binnacle Mount with hood, 5" dials for 336 & 337 Pedestals:

Ritchie Globemaster Stainless (shown)

Ritchie Globemaster Brass

Order #658-D-515-EP

Order #658-D-515-EX



Traditional Binnacle Mount with hood, 6" dials for 402 & 464 Pedestals:

Ritchie Globemaster Stainless

Ritchie Globemaster Brass (shown)

Order #658-D-615-EP

Order #658-D-615-EX



Compass Cover

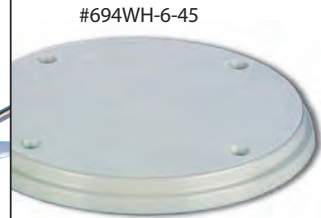
Edson's Compass and Instrument Cover protects your compass or pod mounted instruments. The cover is made of sun-resistant white vinyl laminate with a Velcro tie.

Compass Cover for Edson #336 & #337 Pedestals – Order #693-5



Pedestal Top Adapter

Edson's Pedestal Top Adapter allows you to adapt nearly any compass to an Edson pedestal. They can also be used as a pedestal cover when not installing a compass. Available in white marine-grade polymer and furnished with pre-drilled holes and flat head machine screws. The #694WH-6-45 allows a 5" dial compass with 7" (178 mm) base to be adapted to the Edson #402 or #464 Classic CD-i Pedestal. Wt. 1 lb (.45 kg). White 8" to 7" Adapter - Order #694WH-6-45



#694WH-6-45

Ritchie Weather Shield

Edson recommends the use of the Ritchie Weather Shield with the installation of any Binnacle Mount Compass on Edson 336 & 337 Pedestals. The weather shield helps prevent water infiltration into the pedestal or below decks through the pedestal.

Ritchie Weather Shield - Order #658-WS-P

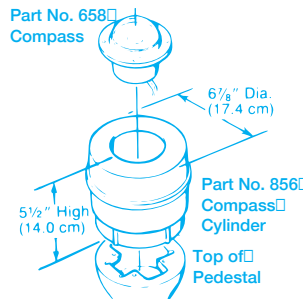


Weather Shield
#658-WS-P

Compass Cylinder

Edson's Compass Cylinders are distinctive, non-reflecting, and virtually indestructible. Great for new boats or upgrading your existing pedestal to a larger, easier to read compass. Fits Edson's 336 & 337 pedestals, stands 5 1/2" high and accommodates flush mounted compasses up to a 6 7/8" flange diameter.

White Compass Cylinder – Order #856WH-345



#856WH-345

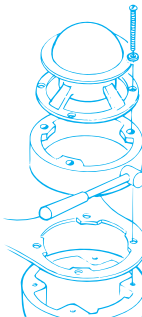
Compass Bolts

Edson offers two sizes of 1/4"-20 bolts: 1" long or 3 1/2" long Phillips Head Machine Screws coated with a state-of-the-art process that is designed to eliminate the galvanic reaction between Stainless and Aluminum. Edson now uses these bolts as standard equipment for fastening the compass and engine control to the top of the pedestal. We highly recommend these bolts as they facilitate inspection and maintenance of your pedestal steering.

Wt. 8 oz (204 kg).

Set of Four 1" Edson Compass Bolts – Order #817-1

Set of Four 3 1/2" Edson Compass Bolts – Order #817-3.5



Compass Light Wire

Non-magnetic braided wire. For new installations or re-wiring an existing compass. Have some extra on board. Available in 10, 25, or 30 foot lengths (shown below).

10' (3 m) Compass Wire - Order #669-10

25' (7.6 m) Compass Wire - Order #669-25

30' (9 m) Compass Wire - Order #669-30



#669

#672-1

Rubber Wire Connectors

Two-prong, rubber plugs for easy disconnecting of compass lights during pedestal or compass servicing. Handy for many other shipboard uses.

Order #672-1

Traditional Steering Systems



Edson has been building steering systems for yachts and work boats for over 150 years. Many traditional boat designs are still excellent candidates for Edson's Traditional Geared Steerers, which were engineered for the designs and configurations of the day. If you are building or refinishing a classic yacht, Edson's Traditional Wheels and Geared Steerers are still available, but constructed of modern materials and methods which were not available when first built.



For complete information, sizes and specifications, download Edson's Traditional Steering Systems & Accessories catalog at www.edsonmarine.com.

Worm Gear Steerers

This steerer was originally designed for Kaiser Wilhelm's Yacht Meteor which was designed to race against Britannia. The Worm Gear Steerer is a very rugged steerer, with cast Bronze and Stainless construction for optimum strength. Since the Worm Gear offers no "feedback" it is best suited for long keeled cruising designs that will track properly with little or no attention to the wheel. Several styles and sizes to fit boats from 25' (7.6 m) to 85' (26 m).



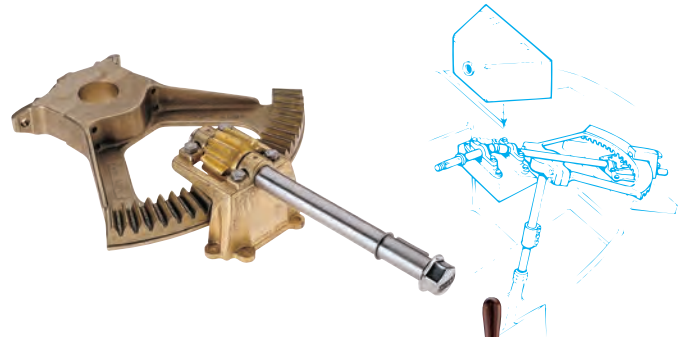
Rack & Pinion Steerers

For sailors who desire a powerful, compact and sensitive steering system, Edson's complete line of Rack and Pinion Steerers with complete rudder feedback are ruggedly constructed of bronze alloys with 1" stainless wheel shafts and hardware.

Edson's Rack and Pinion Steerers are available in three configurations:

- Transom hung rudder steerers
- Two types of inboard rudder steerers

These steerers mount 90° to the rudder axis. Ideal for cockpit layouts that can allow for a steerer cover to double as a helm seat.



Traditional Wheel Components

Edson's Teak Handles. These varnished teak handles can be used on home built wheels to replace original handles for a finished look. Complete with 3/8"-16 stainless carriage bolts. These are the same Handles as those used on Edson's #602, #688 and #971 Traditional Wheels.

3 1/2" Teak Handle w/Stainless Carriage Bolt - Order #882-350

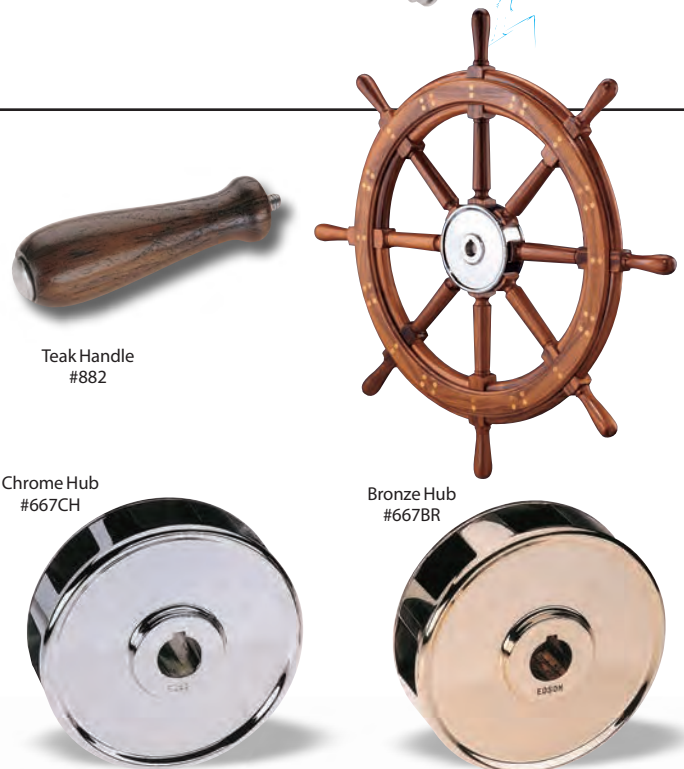
4" Teak Handle w/Stainless Carriage Bolt - Order #882-400

4 1/2" Teak Handle w/Stainless Carriage Bolt - Order #882-450

5" Teak Handle w/Stainless Carriage Bolt - Order #882-500

Edson's Wheel Hubs. Make your own traditional mahogany or teak wheels. Available in polished or chrome plated bronze castings. Two-piece design allows for easy assembly.

See Ordering Guide.



Teak Handle
#882

Chrome Hub
#667CH

Bronze Hub
#667BR

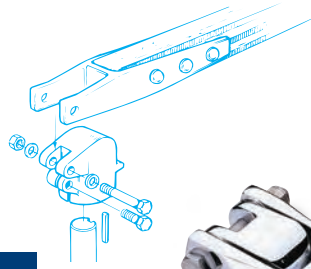
WHEEL HUB ORDERING GUIDE

For Wheels Sizes:	Bronze Hub	Chrome Hub	Hub O.D.	No. of Spokes	Spoke Size
20"/50.1 cm - 26"/66 cm	Order # 667BR-2	Order # 667CH-2	4"(10.2 cm)	6	1.25"(3.2 cm)
28"/71 cm - 34"/86 cm	Order # 667BR-4	Order # 667CH-4	5 1/2"(13.9 cm)	8	1.375"(3.5 cm)
36"/91.4 cm - 42"/106.7 cm	Order # 667BR-6	Order # 667CH-6	6"(16.5 cm)	8	1.375"(3.5 cm)

Bronze Tiller Head Fittings

Edson's Bronze Tiller Head Fittings are hand cast in Edson's own foundry and have a classic look and feel that compliments both traditional and modern boats alike. Two sizes for rudderposts 1" dia or 1¼" to 1½" dia. They are available in burnished bronze or chrome plated bronze.

See Ordering Guide for specs and Part #s.



BRONZE TILLER HEAD FITTING ORDERING GUIDE

Finish	Order #	Rudderpost Dia.	Keyway	Tiller Width	Weight
BRONZE	965BR-100	1"	¼"	1½"	2.75lb(1.3kg)
	965BR-125-150	1¼" - 1½"*	¼"	2"	7lb(3.2kg)
CHROME	965CH-100	1"	¼"	1½"	2.75lb(1.3kg)
	965CH-125-150	1¼" - 1½"*	¼"	2"	7lb(3.2kg)

* For size 125-150, specify exact bore size required between 1¼" and 1½"
Keyways in rudderposts should be facing forward.



Chrome Bronze Tiller Head Fitting

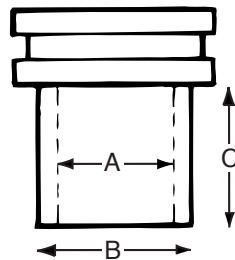
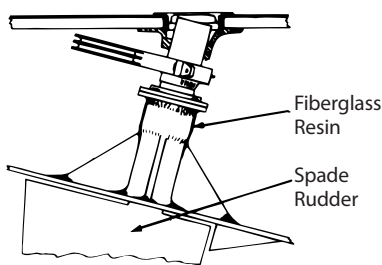
Bronze Tiller Head Fitting

Stuffing Box / Bearings

Combines a rudderpost bearing with an above-the-waterline stuffing box for rudderpost sizes ranging from 1" (2.5 cm) diameter to 4½" (11.4 cm). We recommend fiberglassing the stuffing box/bearing to the top of the tubing when the rudderpost is in place. This can be done easily using alternating layers of fiberglass mat and cloth. This makes the post a structural bearing and will help carry rudder loads with minimal friction. Custom sizes are available on request, but allow additional time.



Stuffing Box #697



STUFFING BOX ORDERING GUIDE

For Rudderpost Diameter*	Order #	A**		B		C		Weight	
		in	mm	in	mm	in	mm	lb	Kg
1"	697-1.0	1	25	2	51	1.25	32	2.5	1.1
1½"	697-1.125	1.125	29	2	51	1.25	32	2.5	1.1
1¼"	697-1.25	1.25	32	2	51	1.25	32	2.5	1.1
1⅜"	697-1.375	1.375	35	2	51	1.25	32	2.5	1.1
1½"	697-1.5	1.5	38	2	51	1.25	32	2.5	1.1
1⅝"	697-1.625	1.625	41	2	51	1.25	32	3	1.4
1.660"	697-1.660	1.660	42	2	51	1.25	32	3	1.4
1¾"	697-1.75	1.75	44	2.44	62	1.25	32	3	1.4
1⅞"	697-1.875	1.875	48	2.44	62	1.25	32	3	1.4
1.9"	697-1.9	1.9	48	2.44	62	1.25	32	3	1.4
2"	697-2.0	2.0	51	2.44	62	1.25	32	3.5	1.6
2¼"	697-2.25	2.25	57	3	76	1.25	32	3.5	1.6
2⅜"	697-2.375	2.375	60	3	76	1.25	32	3.5	1.6
2½"	697-2.5	2.5	64	3	76	1.25	32	4	1.8
2.860"	697-2.860	2.860	73	3.5	89	1.25	32	4	1.8
2⅞"	697-2.875	2.875	73	3.5	89	1.25	32	4	1.8
3"	697-3.0	3.0	76	3.5	89	1.75	44	4.5	2
3½"	697-3.5	3.5	89	4	101	1.75	44	4.5	2
4"	697-4.0	4.0	101	4	101	1.75	44	6	2.7
4½"	697-4.5	4.5	114	5.125	130	1.75	44	6	2.7

* Metric and Custom sizes available on request.

**A' Dimension is actually bored +.030" over rudderpost size for proper clearance.

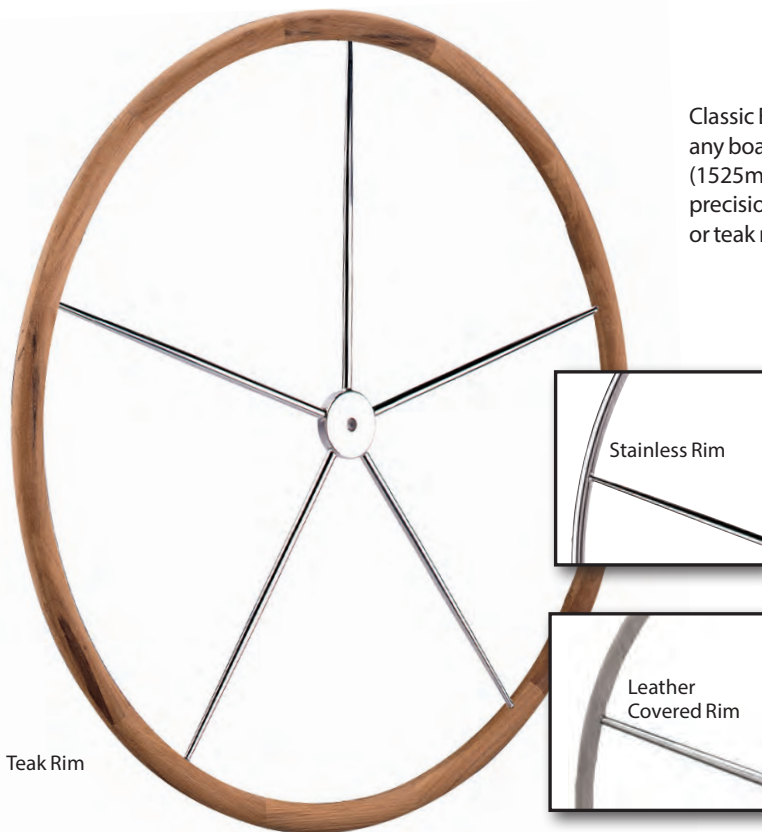
Flax Packing for Stuffing Boxes

Waxed flax packing for re-lining your Stuffing Box.
3/8" square x 16.5" long. Easily cut to fit.
3/8" x 16.5" Waxed Flax Packing - Order #960-A-288



Edson Destroyer™ Wheels

Classic Edson Destroyer Wheels will add distinction and value to any boat. Available in sizes ranging from 16" (406mm) to 60" (1525mm), they have a timeless look, comfortable rim shape and precision-machined hub for an exact fit. Available with stainless or teak rims or with optional Dove Gray Leather Rim Cover.



Features:

- Teak, Stainless or Leather covered wheel rims.
- Built of highly polished marine-grade stainless
- Attractive dished shape and newly styled hub.
- Lightweight yet extremely strong
- Tapered, hollow spokes for an elegant look.
- Available with Teak Rim for the ultimate in beauty and comfort!
- Hubs available to accommodate standard 1" sailboat tapered wheel shaft or 1" straight wheel shafts (see below).
- Wheel adapters available to fit most other shaft sizes.
- 3/4" Tapered Hub for hydraulic or powerboat steerers also available - order #1750



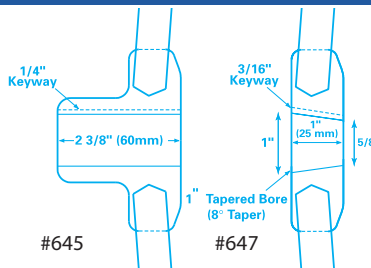
See page 50 for Edson Wheel Nuts



Tech Tip

How do I determine if an Edson Wheel will fit my Pedestal?

Edson wheels have either a 1" straight bore with a 1/4" keyway and a 2 3/8" hub length or a 1" bore with an 8 degree taper, 3/16" keyway and a 1" hub length. Measure your existing wheel to determine if these dimensions match your wheel and shaft.



Stainless Dished Destroyer Wheel

The classic Edson Destroyer™ Wheel will add distinction and value to any boat. Available in sizes ranging from 18" (457mm) to 60" (1520mm), they feature an attractive dished shape and tapered hollow spokes. Elegant yet strong, these wheels have a timeless appearance that will look great on any style of sailboat. The "D" shaped rim is comfortable in your hands and the optional Leather Wheel Rim Cover will make those long hours at the helm less tiresome. Edson Destroyer Wheels are available with either a 1" straight hub or a 1" sailboat tapered hub, both precision machined to ensure an exact fit to your steering shaft.

- Attractive dished-shape and newly styled hub. • Lightweight.
- 1" (25mm) D-shaped rim for easy grip. • Available with Tapered or Straight Hub.
- Tapered, hollow spokes.
- Wheel sizes from 18" (46cm) to 40" (102cm) feature 5 spokes.
- Wheel sizes from 44" (111.8cm) to 60" (152cm) feature 7 spokes.



Stainless Destroyer Wheel with Straight Hub - Order #645ST
 Stainless Destroyer Wheel with Tapered Hub - Order #647ST
 See ordering guide on page 44 for sizes and specs

Teak Rim Dished Destroyer Wheel

Edson's New Teak Rim Destroyer Wheels are warm to the touch, elegant in appearance and feather light. Available from from 16" (41cm) to 48" (121cm), Edson's Teak Rim Destroyer Wheels feature 5 and 7 spokes, just like the Stainless Version.

- Attractive dished-shape and newly styled hub. • Tapered, hollow spokes.
- 1-1/8" laminated solid teak rim.
- Wheel sizes from 16" (41cm) to 48" (121cm).
- Delivered with natural teak, ready for each individual's preferred finish.
- Wheel sizes from 16" (41cm) to 34" (864cm) feature 5 spokes.
- Wheel sizes from 38" (965cm) to 48" (1219cm) feature 7 spokes.



Teak Rim Destroyer Wheel with Straight Hub - Order #645TK
 Teak Rim Destroyer Wheel with Tapered Hub - Order #647TK
 See ordering guide on page 44 for sizes and specs

Leather Covered Dished Destroyer Wheel

Edson's 5 & 7 Spoke Stainless Destroyer Wheels are also available pre-covered with our highest quality Dove Gray Leather Rim Covers. The Orthopedic Grade cowhide is thick, supple and will feel warm in cool weather and cool when the hot sun heats up your wheel.

- Same high-quality construction as Stainless Wheel
- Wheel sizes from 18" (46cm) to 40" (102cm) feature 5 spokes.
- Wheel sizes from 44" (111.8cm) to 60" (152cm) feature 7 spokes.
- Available in Standard or Comfort Grip™ Leather



Leather Covered Destroyer Wheel with Straight Hub - Order #645LE or CG
 Leather Covered Destroyer Wheel with Tapered Hub - Order #647LE or CG
 See ordering guide on page 44 for sizes and specs

Stainless Bi-Spoke Destroyer™ Wheels



- Dual Tapered Spokes for superior rigidity
- Ideal for Offshore use.
- Optional Teak & Holly laminated wheel rim available - call for info.
- 1" (25mm) D-shaped rim for easy grip.
- "Winch-Handle Socket" Wheel Nut included.
- Designed to fit 1" Tapered Wheel Shafts only (see Tech Tip on pg. 10).

36" Bi-Spoke Destroyer Wheel - Order #649-36
 40" Bi-Spoke Destroyer Wheel - Order #649-40
 44" Bi-Spoke Destroyer Wheel - Order #649-44
 48" Bi-Spoke Destroyer Wheel - Order #649-48
 54" Bi-Spoke Destroyer Wheel - Order #649-54
 60" Bi-Spoke Destroyer Wheel - Order #649-60

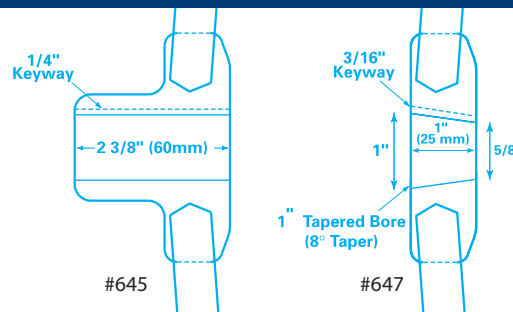


TECH TIP

How do I determine if an Edson Wheel will fit my Pedestal?

Edson wheels have either a 1" straight bore with a 1/4" keyway and a 2-3/8" hub length or a 1" bore with an 8 degree taper, 3/16" keyway and a 1" hub length. Prior to 2000, Edson Steerers and Pedestals had 1" straight shaft. Since then they have had tapered shafts. Measure your existing wheel to determine if these dimensions match your wheel and shaft.

NOTE: 3/4" Tapered Hub for hydraulic or powerboat steerers also available - order #1750.



Edson Destroyer Wheel Ordering Guide

Wheel Size Inches (cm)	Stainless Rim		Leather Covered Rim		Comfort Grip Leather Covered Rim		Teak Rim									
	#645ST Stainless Destroyer Wheel w/ Straight Hub		#647ST Stainless Destroyer Wheel w/ Tapered Hub		#645LE Stainless Leather Rim Wheel w/ Straight Hub		#647LE Stainless Leather Rim Wheel w/ Tapered Hub		#645CG Stainless Comfort Grip Wheel w/ Straight Hub		#647CG Stainless Comfort Grip Wheel w/ Tapered Hub		#645TK Teak Rim Wheel w/ Straight Hub		#647TK Teak Rim Wheel w/ Tapered Hub	
	Order#	Weight Lbs/kg	Order#	Weight Lbs/kg	Order#	Weight Lbs/kg	Order#	Weight Lbs/kg	Order#	Weight Lbs/kg	Order#	Weight Lbs/kg	Order#	Weight Lbs/kg	Order#	Weight Lbs/kg
18" (45.7cm)	645ST-18-5	5.3/2.4	647ST-18-5	5.3/2.4	645LE-18-5-GR	5.5/2.4	647LE-18-5-GR	5.5/2.5	645CG-18-5-GR	5.5/2.5	647CG-18-5-GR	5.5/2.5	645TK-18-5	4.4/2.0	647TK-18-5	4.4/2.0
20" (50.8cm)	645ST-20-5	5.5/2.5	647ST-20-5	5.5/2.5	645LE-20-5-GR	5.7/2.5	647LE-20-5-GR	5.7/2.5	645CG-20-5-GR	5.7/2.6	647CG-20-5-GR	5.7/2.6	645TK-20-5	4.6/2.1	647TK-20-5	4.6/2.1
22" (55.8cm)	645ST-22-5	5.6/2.6	647ST-22-5	5.6/2.6	645LE-22-5-GR	5.8/2.6	647LE-22-5-GR	5.8/2.6	645CG-22-5-GR	5.9/2.6	647CG-22-5-GR	5.9/2.6	645TK-22-5	4.7/2.1	647TK-22-5	4.7/2.1
24" (60.9cm)	645ST-24-5	5.8/2.7	647ST-24-5	5.8/2.6	645LE-24-5-GR	6.0/2.7	647LE-24-5-GR	6.0/2.7	645CG-24-5-GR	6.1/2.7	647CG-24-5-GR	6.1/2.7	645TK-24-5	4.8/2.9	647TK-24-5	4.8/2.9
26" (66 cm)	645ST-26-5	6.2/2.8	647ST-26-5	6.2/2.8	645LE-26-5-GR	6.4/2.9	647LE-26-5-GR	6.4/2.9	645CG-26-5-GR	6.5/2.9	647CG26-5-GR	6.5/2.9	645TK-26-5	5.2/2.3	647TK-26-5	5.2/2.3
28" (71.1cm)	645ST-28-5	6.8/3.1	647ST-28-5	6.8/3.1	645LE-28-5-GR	7.0/3.2	647LE-28-5-GR	7.0/3.2	645CG-28-5-GR	7.1/3.2	647CG-28-5-GR	7.1/3.2	645TK-28-5	5.7/2.6	647TK-28-5	5.7/2.6
30" (76.2cm)	645ST-30-5	7.0/3.2	647ST-30-5	7.0/3.2	645LE-30-5-GR	7.2/3.2	647LE-30-5-GR	7.2/3.2	645CG-30-5-GR	7.3/3.3	647CG-30-5-GR	7.3/3.3	645TK-30-5	5.9/2.6	647TK-30-5	5.9/2.6
32" (81.2cm)	645ST-32-5	7.5/3.4	647ST-32-5	7.5/3.4	645LE-32-5-GR	7.7/3.5	647LE-32-5-GR	7.7/3.5	645CG-32-5-GR	7.8/3.5	647CG-32-5-GR	7.8/3.5	645TK-32-5	6.3/2.8	647TK-32-5	6.3/2.8
34" (85 cm)	N/A	—	N/A	—	N/A	—	N/A	—	N/A	—	N/A	—	645TK-34-5	6.8/3.1	647TK-34-5	6.8/3.1
36" (91.4cm)	645ST-36-5	8.5/3.8	647ST-36-5	8.5/3.8	645LE-36-5-GR	8.8/3.9	647LE-36-5-GR	8.8/3.9	645CG-36-5-GR	8.9/4.0	647CG-36-5-GR	8.9/4.0	N/A	—	N/A	—
38" (96cm)	N/A	—	N/A	—	N/A	—	N/A	—	N/A	—	N/A	—	645TK-38-7	7.3/3.3	647TK-38-7	7.3/3.3
40" (102cm)	645ST-40-5	9.0/4.1	647ST-40-5	9.0/4.1	645LE-40-5-GR	9.3/4.2	647LE-40-5-GR	9.3/4.2	645CG-40-5-GR	9.4/4.2	647CG-40-5-GR	9.4/4.2	N/A	—	N/A	—
44" (112cm)	645ST-44-7	9.5/4.3	647ST-44-7	9.5/4.3	645LE-44-7-GR	9.8/4.4	647LE-44-7-GR	9.8/4.4	645CG-44-7-GR	9.9/4.5	647CG-44-7-GR	9.9/4.5	645TK-44-7	7.9/3.6	647TK-44-7	7.9/3.6
48" (121cm)	645ST-48-7	9.9/4.5	647ST-48-7	9.9/4.5	645LE-48-7-GR	10.2/4.6	647LE-48-7-GR	10.2/4.6	645CG-48-7-GR	10.3/4.7	647CG-48-7-GR	10.3/4.7	645TK-48-7	8.3/3.7	647TK-48-7	8.3/3.7
54" (137cm)	645ST-54-7	11/5.0	647ST-54-7	11/5.0	645LE-54-7-GR	11.3/5.1	647LE-54-7-GR	11.3/5.1	645CG-54-7-GR	11.5/5.2	647CG-54-7-GR	11.5/5.2	N/A	—	N/A	—
60" (152cm)	645ST-60-7	12.6/5.7	647ST-60-7	12.6/5.7	645LE-60-7-GR	13/5.8	647LE-60-7-GR	13/5.8	645CG-60-7-GR	13.2/5.9	647CG-60-7-GR	13.2/5.7	N/A	—	N/A	—

* Weight shown are actual weights. Shipping weights may vary greatly due to the size of the wheel.

NOTE: 3/4" Tapered Hub for Hydraulic or Powerboat steerers are also available -- Order #1750 - contact customer service for more info.

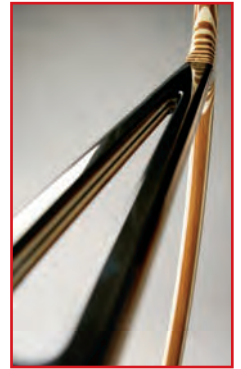
Custom Carbon/Wood Laminated Wheels



This exquisite custom wheel features teak and holly wood laminates, together with areas of beautifully clear-coated carbon-weave laminate. The spokes are carefully sculpted into the teak and holly rim for a very comfortable grip for the helmsman, as well as a robust connection of the spokes to the wheel rim. The wheel rim is constructed of alternating layers of teak and holly creating a beautiful contrast of two classic maritime woods. The level of construction and finish in these wheels is unmatched, and as a result, they quickly become the focal point on the finest vessels. These wheels are coated with multiple layers of clear urethane for a mirror finish. They are available with or without Edson's wheel clutch. Custom faceplate engraving available.

- Hubs available in Black Aluminum or Polished Stainless
- 32" (810mm) to 60" (1500mm) diameters standard, other sizes to suit
- Clear coat for a mirror finish

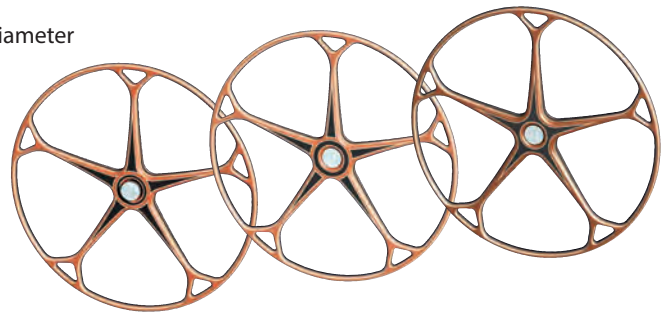
Order #652



Edson's Carbon / Wood Laminated Wheel features alternating layers of Teak, Holly and Carbon Fibre to form a unique blend of traditional and modern building materials. Hand built by master craftsmen, each wheel is custom built to your specifications. You can choose wood to match your boat's brightwork, deck or interior styling. Custom faceplate engraving available.

- 40" (1015mm) - 80" (2030mm) diameter
- Custom inlay designs available

Order #653



See More Wheels in Edson's Distinctive Yacht Wheels Catalog



Since 1859, Edson wheels have graced many of the world's finest yachts. Now for the first time, those wheels are featured together in an all-new catalog, Edson's Distinctive Yacht Wheels. The 28-page brochure showcases Edson's full line of wheels for both power and sail, designed to fit not only Edson Steering Systems, but those built by other manufacturers as well. Featuring wheels for boats of all types, from Megayachts to Tenders, Sportfish to Flats Boats, Coastal Cruisers to Round the World Voyagers, the new catalog shows every wheel in the Edson line, along with photos of many of the yachts on which they have become the focal point. Edson wheels are handmade by master craftsmen with exotic materials including carbon fiber, marine alloys, teak, holly and other hardwoods.

Call or visit www.edsonwheels.com for your copy.

Pro-Series™ Carbon Fiber Wheel



- Ultra-light weight - under 10 pounds!
- Available from 36" (900mm) to 60" (1525mm)
- Large Diameter 1-5/8" wheel rim.
- Virtually no flywheel effect.
- High Gloss Clear Coat Carbon Fibre Finish
- Ergonomic Forked Tri-Spoke Design
- Monocoque Construction for Strength



- 35" Pro-Series Carbon Fibre Wheel - Order #659-0900-35 (6.74lbs / 3.06kg)
- 40" Pro-Series Carbon Fibre Wheel - Order #659-1000-40 (7.36lbs / 3.34kg)
- 44" Pro-Series Carbon Fibre Wheel - Order #659-1100-44 (7.66lbs / 3.47kg)
- 48" Pro-Series Carbon Fibre Wheel - Order #659-1200-48 (7.95lbs / 3.61kg)
- 52" Pro-Series Carbon Fibre Wheel - Order #659-1300-52 (8.25lbs / 3.74kg)
- 55" Pro-Series Carbon Fibre Wheel - Order #659-1400-55 (8.85lbs / 4.02kg)
- 59" Pro-Series Carbon Fibre Wheel - Order #659-1500-59 (9.21lbs / 4.18kg)

Tri-Spoke Carbon Fiber Wheel

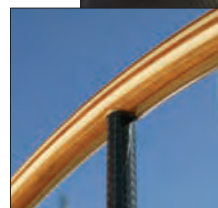


- Reach-Through Design
- Leather Covered Aluminum or Teak and Holly Rims.
- Extremely lightweight
- Virtually no flywheel effect.
- Available from 32" (813mm) to 48" (1219mm) diameter
- Ultra-Modern 3 spoke design.
- Supplied with clear, white or black finish.
- Fits standard Edson 1" tapered wheel shaft.



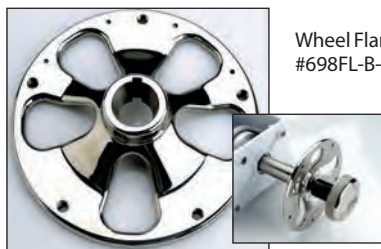
TP-52 Orlanda

- 32" Tri-Spoke Carbon Fiber Wheel - Order #637-32
 - 36" Tri-Spoke Carbon Fiber Wheel - Order #637-36
 - 40" Tri-Spoke Carbon Fiber Wheel - Order #637-40
 - 44" Tri-Spoke Carbon Fiber Wheel - Order #637-44
 - 48" Tri-Spoke Carbon Fiber Wheel - Order #637-48
- Specify LE or CG for Leather or Comfort Grip Rim Cover



Teak & Holly Rim Available!

Wheel Flange Adapter



Wheel Flange Adapter
#698FL-B-519



Edson's Wheel Flange Adapter allows Edson's lightweight Diamond Series and Carbon Fiber flanged mount steering wheels to mount directly onto Edson's tapered Wheel Shafts. It is recessed to allow room for tightening the wheel nut and can be used with Edson's convenient Thru-Shaft Wheel Brakes. Investment cast and polished 316 Stainless. Wt. 2 lb (.9 kg).

Wheel Flange Adapter - Order #698FL (See price page for sizes).

Ultra-Light Aluminum Wheel

- A favorite on the Grand-Prix Circuit
- Symmetrical and Non-symmetrical designs. (Symmetrical to 66", Non-Symmetrical 68" - 80")
- Sizes from 44" - 80" (111 cm - 203 cm).
- Welded construction gives the best in strength and rigidity.
- Black Powder-coated Aluminum construction (custom colors available).
- Extremely lightweight.
- Airfoil-shaped spokes - for rigidity.
- Sleek Dual-Spoke, dished design.
- Fits Edson's Custom Flange Steerers.

- 44" Ultra-Light Aluminum Wheel - Order #641-44
- 48" Ultra-Light Aluminum Wheel - Order #641-48
- 54" Ultra-Light Aluminum Wheel - Order #641-54
- 60" Ultra-Light Aluminum Wheel - Order #641-60
- 66" Ultra-Light Aluminum Wheel - Order #641-66
- 74" Ultra-Light Aluminum Wheel - Order #641-74
- 80" Ultra-Light Aluminum Wheel - Order #641-80

Photo Courtesy: Nautor Group



Swan 45



#698FL-B-929
Flange Adapter
required
(see pg. 46)



Specify Straight
or
Tapered Shaft

Diamond Series™ Wheel

- Style, comfort and light weight. Ideal for the racer/cruiser.
- Welded and doweled construction give the best in strength and rigidity.
- Standard finish is a highly durable white baked on urethane.
- Edson recommends that all Diamond Series Wheel rims get covered with #733 CG "Comfort Grip" Leather Wheel Cover.

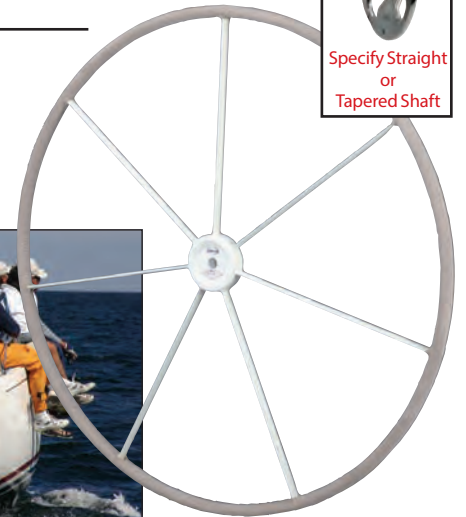
- 40" Diamond Series™ Wheel - Order #642-40
- 44" Diamond Series™ Wheel - Order #642-44
- 48" Diamond Series™ Wheel - Order #642-48
- 54" Diamond Series™ Wheel - Order #642-54
- 60" Diamond Series™ Wheel - Order #642-60
- 66" Diamond Series™ Wheel - Order #642-66
- Specify LE or CG for Leather or Comfort Grip Rim Cover

Photo Courtesy: J-Boats



J-109

Shown with Optional Leather
Wheel Rim Cover

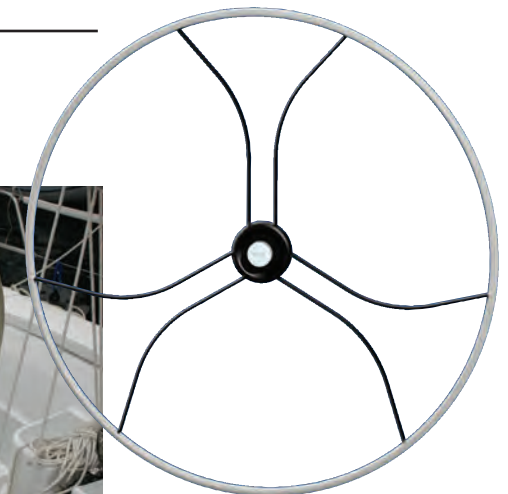


Double Black Diamond Wheel

- Featuring all new 3x2 six spoke (40" - 48") or 4x2 eight spoke (54") configuration
- Ultra-light weight - under 10 pounds!
- Available in 40" (1016mm) and 54" (1372mm) with additional sizes to fit many popular boats
- Black Powder Coated and comes with Edson's Gray ComfortGrip Leather Wheel Rim Cover
- Direct replacement for 4 and 5 bolt hub patterns (Flange Adapter required - see pg. 46)

- 40" Double Black Diamond Series - Order #642BD-40
- 44" Double Black Diamond Series - Order #642BD-44
- 48" Double Black Diamond Series - Order #642BD-48
- 54" Double Black Diamond Series - Order #642BD-54

Photo Courtesy: J-Boats





Classic Teak Yacht Wheel with Teak Rim

In production for over 125 years, Edson's Classic Yacht Wheels belong on any classic yacht or stately passagemaker. Created by third-generation master craftsmen, the skills and artistry that go in to making these wheels have been passed down from generation to generation, ensuring a consistency and quality that can only be attained by the hand-crafted talents of their builders.

Although extremely elegant, the Edson Teak Wheels are not just a showpiece for a wall. They are handcrafted to the highest offshore-quality standards, and will provide years of service for the classic yacht. They feature solid teak spokes and felloes rigidly secured with stainless fasteners and holly bungs. The wheel is delivered with varnished inner rim and spokes. The laminated 1" diameter destroyer-type rim is installed with stainless fasteners and teak bungs to the solid teak spokes and is unvarnished, ready for each individual's preferred finish. This creates an elegant wheel that keeps the traditional look yet has a modern appearance and styling.

These wheels will be the centerpiece of your cabin or cockpit and the first thing visitors to your yacht will notice.

Order #603CH (shown)
Specify Bronze (BR) or Chrome (CH) Hub
(See ordering guide for sizes)

Features:

- Offshore Quality
- Hand built by 3rd Generation Craftsmen
- Hub available in Polished Bronze or Chrome
- Fits 1" / 2.5cm straight shafts.
- Made from only the finest teak and cast bronze.
- Matching Stainless Wheel Nut available.
- Precision milled and keyed for exact fit on wheel shaft
- Premium boatbuilders worldwide demand Edson wheels for their boats — you should too!



Vitters 180 - Adele

Classic Teak Yacht Wheel

Edson's Classic Teak Yacht Wheel is the original. In production for over 125 years, this is a wheel that belongs on any classic yacht or stately passagemaker.

- Offshore-quality wheel.
- Solid teak spokes and felloes rigidly secured with stainless fasteners and holly bungs.
- Hub available in Polished Bronze or Chrome
- Delivered fully varnished.
- Fits 1 1/2.5 cm straight shafts only.

Order #601CH

Specify Bronze (BR) or Chrome (CH) Hub
(See ordering guide for sizes)



Character Wheel

Edson's Character Wheels are patterned after the traditional heavy cast iron wheels.

- Manufactured in Edson's own foundry.
- Made of lightweight 356-T6 aluminum.
- Heat-treated to T-6 hardness.
- Feature tan baked-on urethane powder coating and varnished teak handles.
- 1 1/2.5 cm straight bore only.

Order #688

(See ordering guide for sizes)



Bronze Wheel w/ Teak Handles

Edson's Bronze Wheel with Teak Handles adds distinction to any traditional boat.

- Manufactured in Edson's own foundry.
- Made of solid Bronze.
- Hand-machined and polished.
- Features varnished teak handles.
- 1 1/2.5 cm straight bore only.

Order #602BR

(See ordering guide for sizes)



Commercial Bronze Wheel

Edson's Commercial Bronze Wheel. Simplicity is the keynote for this rugged wheel.

- Teak handles and a tumbled bronze finish.
- Measures 19"/48 cm tip to tip.
- Provided with 5"/12.7 cm varnished teak handles.
- Available with either a standard 3/4"/1.9 cm taper or a 1 1/2.54 cm straight bore.
- Hub thickness is 1 1/8"/2.9 cm.

Tapered Bore – Order #971T-19-750

Straight Bore – Order #971S-19-100

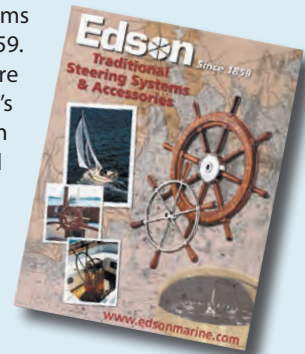


EDSON TRADITIONAL WHEEL ORDERING GUIDE

Wheel Size Inches (cm)	601 Teak Wheel Order#	602 Bronze Wheel Order#	603 Teak Rim Wheel Order#	688 Character Wheel Order#
20"(50.8 cm)	n/a	602BR-20	n/a	688-20
22"(55.8 cm)	n/a	602BR-22	n/a	n/a
24"(60.9 cm)	601CH or BR-24	602BR-24	n/a	n/a
25"(63.5 cm)	n/a	n/a	n/a	688-25
26"(66.0 cm)	n/a	602BR-26	603CH or BR-26	n/a
28"(71.1 cm)	601CH or BR-28	602BR-28	n/a	n/a
30"(76.2 cm)	n/a	602BR-30	603CH or BR-30	688-30
32"(81.2 cm)	601CH or BR-32	n/a	n/a	n/a
34"(86.1 cm)	n/a	n/a	603CH or BR-34	n/a
35"(88.9 cm)	n/a	n/a	n/a	688-35
36"(91.4 cm)	601CH or BR-36	n/a	n/a	n/a
38"(99.0 cm)	n/a	n/a	603CH or BR-38	n/a

n/a - wheel not available in this size.

Edson has been building steering systems for yachts and work boats since 1859. Many traditional boat designs are still excellent candidates for Edson's Traditional Geared Steerers, which were engineered for the designs and configurations of the day. If you are building or refinishing a classic yacht, Edson's Traditional Wheels and Geared Steerers are still available, but constructed of modern materials and methods which were not available when first built.



For complete information, sizes and specifications, see Edson's Traditional Steering Systems & Accessories catalog - available online or on CD.
Go to www.edsonmarine.com

Wheel Storage Device

- Make more room in your cockpit when you're not sailing!
- Store your wheel out of the way with Edson's Wheel Storage Device.
- Investment cast 316 stainless, polished to a mirror finish
- Can be mounted vertically or horizontally to any 1" or 1½ diameter pushpit, railing or stanchion.
- Check your wheel for a straight or tapered hub.

Straight Hub Wheel Storage Device Only - Order #683-1S
 Straight Hub/Quick Nut Combo (3/4"-10 nut) - Order #680-3/4-10S
 Straight Hub/Quick Nut Combo (1"-14 nut) - Order #680-1-14S
 Tapered Hub Wheel Storage Device Only - Order #683-1T
 Tapered Hub/Quick Nut Combo (5/8"-18 nut) - Order #680-5/8-18T



Straight Hub Wheel Storage Device #683-1S

w/ Quick Release Wheel Nut #680

Tapered Hub Wheel Storage Device #683-1T

Wheel Nuts

Attention to detail is the keynote of these Edson Wheel Nuts. Available in highly polished Investment Cast 316 Stainless or traditional Polished Brass. Measure your steering shaft thread for the correct size.

- Stainless Wheel Nut with 1"-14 Shaft Threads - Order #673ST-1-14
- Stainless Wheel Nut with 5/8"-18 Shaft Threads - Order #673ST-5/8-18
- Stainless Wheel Nut with 3/4"-10 Shaft Threads - Order #673ST-3/4-10
- Stainless Wheel Nut Kit (for 1", 5/8", 1/2" & 12mm) - Order #673ST-KIT
- Brass Wheel Nut with 1"-14 Shaft Threads - Order #673BR-1-14
- Brass Wheel Nut with 5/8"-18 Shaft Threads - Order #673BR-5/8-18
- Brass Wheel Nut with 3/4"-10 Shaft Threads - Order #673BR-3/4-10
- "Star" Nut for thru-shaft brake steerers - Order #960-A-2105



Stainless Wheel Nut #673ST



Brass Wheel Nut #673BR



"Star" Nut #960-A-2105

Quick Release Wheel Nuts

Want to get your wheel out of the way to give you more room in your cockpit at anchor or at the dock? It's easy with Edson's New Quick Release Wheel Nut. Simply give the knurled knob a few turns and pull the wheel off the shaft. No need for other tools or wrenches. Large 2½" diameter provides easy grip. Highly polished Investment Cast 316 Stainless has superior strength as well as good looks. Not for use with thru-shaft brakes. Wt. 1 lb (.45 kg).

- Quick Release Nut with 1"-14 Shaft Threads - Order #826ST-1-14
- Quick Release Nut with 5/8"-18 Shaft Threads - Order #826ST-5/8-18
- Quick Release Nut with 3/4"-10 Shaft Threads - Order #826ST-3/4-10



IMPORTANT!

Important Ordering Information
 Many Edson pedestals produced after January 2000 use wheel nuts with 5/8"-18 shaft threads; Edson pedestals built from 1979-1999 use wheel nuts with 1"-14 shaft threads; Edson and Yacht Specialties Pedestals dating prior to 1979 use wheel nuts with 3/4"-10 shaft threads. If your boat was built on or around the year 2000, please check the measurement of your shaft carefully.

Leather Wheel Rim Covers

Deluxe Leather Wheel Covering Kits



Edson's do-it-yourself Leather Wheel Covering kits look great and make any wheel softer and warmer to the touch. Each kit includes a pre-punched leather cover, double sided sticky tape, thread, needle and complete instructions. Measure the diameter of your steering wheel and choose from the ordering guide below. Available Dove Gray. Wt. 1.5 lbs (.68 kg)

"Comfort Grip" Leather Wheel Covering Kits



Create your own luxury steering wheel with Edson's exclusive "Comfort Grip" Leather Wheel Covering Kit. "Comfort Grip" cushions the wheel and has contoured finger grips on the inside of the wheel rim. Measure the diameter of your steering wheel and choose from the ordering guide below. Available in Dove Gray. Wt. 2.2 lbs (1 kg).



Only Edson uses Orthopedic Grade Cowhide - considered to be the highest quality leather available. It stays supple even when subjected to harsh marine environments!

LEATHER WHEEL RIM COVER ORDERING GUIDE

Leather Wheel Rim Covers for Edson Flat Destroyer Wheels with older 7/8" diameter oval shaped rims and Diamond Series Wheels (see diagram below)

WHEEL DIAMETER	GRAY LEATHER KIT	GRAY LEATHER COMFORT GRIP KIT	GRAY LEATHER INSTALLED	GRAY LEATHER COMFORT GRIP INSTALLED
up to 20"	#733-15-20-GR	#733CG-15-20-GR	#716-15-20-GR	#716CG-15-20-GR
22" - 30"	#733-22-30-GR	#733CG-22-30-GR	#716-22-30-GR	#716CG-22-30-GR
32" - 40"	#733-32-40-GR	#733CG-32-40-GR	#716-32-40-GR	#716CG-32-40-GR
42" - 60"	#733-42-60-GR	#733CG-42-60-GR	#716-42-60-GR	#716CG-42-60-GR
62" - 72"	#733-62-72-GR	#733CG-62-72-GR	#716-62-72-GR	#716CG-62-72-GR

Leather Wheel Rim Covers for Edson Dished Destroyer Wheels (#645 and #647) or wheels with 1" diameter "D" shaped rims (see diagram below)

WHEEL DIAMETER	GRAY LEATHER KIT	GRAY LEATHER COMFORT GRIP KIT	GRAY LEATHER INSTALLED	GRAY LEATHER COMFORT GRIP INSTALLED
up to 20"	#733-15-20-GR1	#733CG-15-20-GR1	#716-15-20-GR1	#716CG-15-20-GR1
22" - 30"	#733-22-30-GR1	#733CG-22-30-GR1	#716-22-30-GR1	#716CG-22-30-GR1
32" - 40"	#733-32-40-GR1	#733CG-32-40-GR1	#716-32-40-GR1	#716CG-32-40-GR1
42" - 60"	#733-42-60-GR1	#733CG-42-60-GR1	#716-42-60-GR1	#716CG-42-60-GR1
62" - 72"	#733-62-72-GR1	#733CG-62-72-GR1	#716-62-72-GR1	#716CG-62-72-GR1

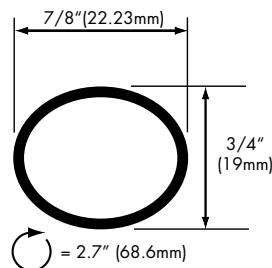


IDEA

LET EDSON DO THE JOB FOR YOU!

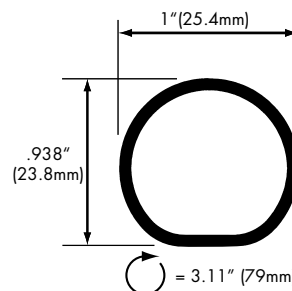
When ordering a new wheel, request an Installed Leather Cover or send us your existing wheel, and Edson will install the Leather Wheel Cover for you—we will even provide a loaner wheel up to 40". See Ordering Guide above for information.

Older "Oval Shaped" 7/8" Rim (pre-2000)



*Not shown actual size

Newer "D Shaped" 1" Rim



Cockpit Tables

Edson's Cockpit Tables increase the versatility of your Edson Pedestal and turn the cockpit into the social center of your boat. The many different styles available are all constructed of Solid Teak or White Poly and come complete with stainless mounting hardware. Edson's Cockpit Tables have earned the reputation as the highest quality, best built tables on the market!

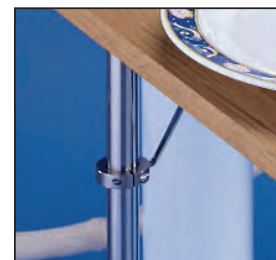
Fold-Down Drop-Leaf Tables

Edson's Fold-Down Drop-Leaf Tables turn your cockpit into a comfortable dining area. They fold down and clip against the guard when not in use. By simply swinging the table up and clipping the formed wire brackets into place, the table is ready for use.

DIMENSIONS -	Teak: Closed	27" x 13" (686mm x 220mm)
	Open	27" x 26" (686mm x 661mm)
	Poly: Closed	26" x 15" (660mm x 381mm)
	Open	26" x 30" (660mm x 762mm)



Shown varnished - tables are supplied unvarnished.



NEW!

Now Featuring
Clamp-On Table
Hardware - No
Drilling Required!



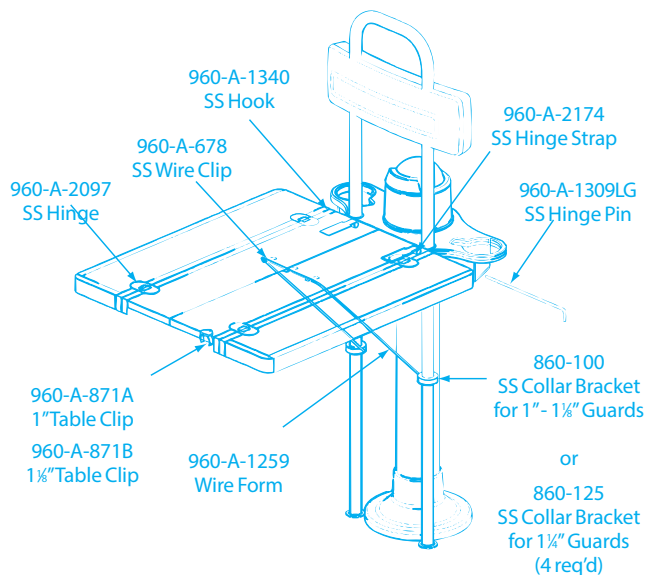
#737WH

Edson Teak Tables :

- Solid Teak Construction
- Easily removable for storage
- Installs in minutes
- Non-Magnetic Stainless Hardware
- No Legs to get in the way!
- Quick-Release pin for easy removal.
- All Fasteners are Stainless and Bunged.
- Clip holds Table firmly to Pedestal Guard when folded down.
- Natural Teak, ready for the finish of your choice.

Edson Poly Tables:

- Constructed of solid, UV Stable white marine-grade polythylene.
- Non-Magnetic Stainless Hardware
- Easily removable for storage.
- No Legs to get in the way!
- All Stainless Fasteners
- Will not rot, swell or delaminate when exposed to humidity or moisture.
- Scuff and scratch resistant.



Fold-Down Luncheon Tables



Teak Luncheon Table - #761TK - see ordering guide for options

Edson's Fold-Down Luncheon Tables are designed to offer a very handy table to fit smaller cockpits and are an ideal cockpit cocktail table. Measuring 13½" x 24" (34.3 x 61 cm) and equipped with fiddle rails on both sides and ends, the Luncheon Table is available in both Teak and White Poly. When not in use, the table folds flat against the guards or can be easily removed from its guard mounted strap by pulling out the hinge pin. Comes complete with all mounting hardware.



Also available with hardware for Console or Vision Series Pedestal Mounting (see ordering guide)



White Poly Luncheon Table - #761WH

Spare Table Clips

Edson's Fold-Down Tables can be stowed right at the pedestal. By simply swinging the table up and clipping the wire form into place, the table is ready for use. The Fold-Down Tables feature a quick release pin for complete removal. All Edson Fold-Down Tables also come complete with Edson's Table Clip to hold the table securely against the guard when table is down.

Two Spare Table Clips -
1" - Order #960-A-871-A
1½" - Order #960-A-871-B



EDSON COCKPIT TABLE ORDERING GUIDE

Description	Weight Each	Order #
Teak Fold Down Drop Leaf Tables		
For Edson 9½" Guard (1" and 1-1/8" dia. pipes)	25 lbs (11.3 kg)	737TK-95-28
For Edson 9½" Guard (1-1/4" dia. pipes)	25 lbs (11.3 kg)	737TK-95-28-125
For 12½" Guard (1" and 1-1/8" dia. pipes)	25 lbs (11.3 kg)	737TK-125-28
For Vision Series / Console Pedestals	25 lbs (11.3 kg)	737TK-C-28
White Poly Fold Down Drop Leaf Tables		
For Edson 9½" Guard (1" and 1-1/8" dia. pipes)	34 lbs (15.4 kg)	737WH-95-28
For Edson 9½" Guard (1-1/4" dia. pipes)	34 lbs (15.4 kg)	737WH-95-28-125
For Vision Series / Console Pedestals	34 lbs (15.4 kg)	737WH-C-28
Teak Fold Down Luncheon Tables		
For Edson 9½" Guard (1" and 1-1/8" dia. pipes)	13 lbs (5.9 kg)	761TK-95
For Edson 9½" Guard (1-1/4" dia. pipes)	13 lbs (5.9 kg)	761TK-95-125
For Vision Series / Console Pedestals	13 lbs (5.9 kg)	761TK-C-28
White Poly Fold Down Luncheon Tables		
For Edson 9½" Guard (1" and 1-1/8" dia. pipes)	16 lbs (7.3 kg)	761WH-95
For Edson 9½" Guard (1-1/4" dia. pipes)	16 lbs (7.3 kg)	761WH-95-125
For Vision Series / Console Pedestals	16 lbs (7.3 kg)	761WH-C-28



Cast Stainless Drink Holders



Triple - Guard Mount - Teak Base
#878TK-3-95



Double - White Poly Base
#878WH-2

- Cast from solid marine-grade 316 Stainless.
- Available in single, double or triple versions.
- Available with cast stainless brackets for mounting to Edson Steering Pedestal Guard Pipes, within easy reach of captain and crew.
- Also available either alone, for mounting to a flat surface or mounted to a base (white poly or unvarnished teak) for easy portability to a convenient location anywhere on the boat.
- Designed to fit Koozies, cans, mugs and large cups up to 3-3/8" in diameter.
- Elegant design features an open frame to accommodate coffee cup handles.
- Sit 3" high when installed and are highly polished in Edson's classic "boat jewelry" style.
- Well-rounded edges and a sleek design will look great on any boat.
- For installation, an installed threaded stud allows a secure through bolt installation and a locator stud (on single and double versions) keeps them from turning once in place. And since they are cast in marine-grade stainless they won't rust, bend or break.



Single - Vertical Mount
#878ST-1V



Single
#878ST-1



Double
#878ST-2



Triple
#878ST-3



#878WH-1-125



#878TK-1-125



#878WH-2-125



#878TK-2-125

STAINLESS DRINK HOLDER ORDERING GUIDE

Order #	Description	Wt lbs (kg)
878ST-1	Stainless Single Drink Holder	.5 (.22)
878ST-1V	Stainless Single Drink Holder - Vertical Mount	.5 (.22)
878WH-1	Stainless Single Drink Holder - White Poly Base	1 (.45)
878TK-1	Stainless Single Drink Holder - Teak Base	1 (.45)
878WH-1-125	Stainless Single Clamp-On Drink Holder - White Poly Base	1 (.45)
878TK-1-125	Stainless Single Clamp-On Drink Holder - Teak Base	1 (.45)
878ST-2	Stainless Double Drink Holder	1 (.45)
878WH-2	Stainless Double Drink Holder - White Poly Base	1.5 (.68)
878TK-2	Stainless Double Drink Holder - Teak Base	1.5 (.68)
878WH-2-125	Stainless Double Clamp-On Drink Holder - White Poly Base	1.5 (.68)
878TK-2-125	Stainless Double Clamp-On Drink Holder - Teak Base	1.5 (.68)
878ST-3	Stainless Triple Drink Holder	2 (.9)
878WH-3	Stainless Triple Drink Holder - White Poly Base	3 (1.4)
878TK-3	Stainless Triple Drink Holder - Teak Base	3 (1.4)
878WH-3-95	Stainless Triple Drink Holder - White Poly Base - Guard Mount	3.5 (1.6)
878TK-3-95	Stainless Triple Drink Holder - Teak Base - Guard Mount	3.5 (1.6)

NOTE: Guard Mount hardware is designed to fit 1", 1-1/8" and 1-1/4" guard pipes.

Index by Product Name

Articu-Lock™ Sheaves.....	20	Engine Controls	34-37	Quadrants	24-25	Tiller Heads	41
Autopilot Adapters.....	28-29	Engine Control Cables	37	Quick Release Nuts	50	Top Plates	35
Brake, Pedestal Steerers.....	23	Eye Bolts.....	19	Rack and Pinion Steerers	40	Traditional Steerers.....	40
Bulkhead Steerers	14-15	Glass Holders	54	Radial Drive Wheels.....	23	Transom Steerer	30
CD-i Steering Systems	10-11	Guard Foot.....	32	Sheaves.....	22	Ultra-Light Racing System	17
Cables, Engine Control	37	Guards, Pedestal.....	32	Shelf Steerers.....	16	Vision Series Pedestals	9-13
Cables, Steering	18	Idlers	21	Single-Lever Engine Controls	36	Wheel Accessories	50-51
Chain.....	18	Internal Steerers	14-17	Steering Wheels.....	42-49	Wheel Adapters	46
Clevises, Engine Control	37	Key Stock.....	25	Stuffing Box/Bearing.....	41	Wheel Hubs	40
Compasses	38	Leather Wheel Rim Covers	51	Sprockets.....	30	Wheel Nuts	50
Compass Accessories.....	39	Maintenance Kits.....	31	Tables.....	52-53	Wheels, Steering.....	42-49
Conduit, Pull-Pull.....	26	Pedestal Rebuild Kits.....	31	Take-Up Eyes.....	19	Wheel Storage Device	50
Conduit Brackets.....	26-27	Pedestal Steerers	8-13	Teak Wheels.....	43, 45, 49	Wire Rope	18
Custom Steering Systems	6-7	Pedestal Guards.....	32	Thimbles.....	19	Wire Rope Clamps	19
Destroyer Wheels	10-12	Pedestal Risers.....	33	Throttle Handles	37	Worm Gear Steerers	50
Drink Holders.....	54	Pull-Pull Steering	26-27	Tiller Arms	28-29		

Index by Product Number

Product #	Page	Product #	Page	Product #	Page	Product #	Page
310	32	630	19	698	46	836	29
312	31	632	19	711	21	841	27
313	36	633	19	712	21	842	25
314	31	634	19	713	21	847	22,26
315	35	635	19	714	33	853	24
316	31,33	636	30	716	51	854	26
332	30	637	46	730	19	855	30
333	31	641	47	733	51	856	39
336	8,13	642	47	734	37	868	27
402	8,12	643	19	735	37	870	34
408	16	645	43	736	19	878	54
418	15	646	33	737	52-53	881	26
419	15	647	43	751	35	882	40
420	14	649	44	761	53	885	18
421	14	652	45	773	19	886	18
425	17	653	45	774	18	904	27
435	17	658	38	776	21	910	36
440	16	659	46	777	23	918	27
441	516	665	19	797	26	925	9
450	11	667	40	799	27	926	28-29
464	8,11	669	39	800	23	960	32,37,41,50,53
476	13	672	39	802	23	962	26
490	13	673	50	804	23	963	37
601	49	676	24	805	37	965	41
602	49	680	50	810	37	971	49
603	49	683	50	813	33	1405	38
617	29	684	25	816	34	1600	32
618	19	688	49	817	39	1610	32
620	22	689	33	824	27	1620	32
621	22	690	33	825	33	1625	32
622	20	693	39	826	50	1660	36
624	22	694	39	827	27,31	2150	38
626	20	697	41	835	24	2470	31

The Edson Limited Warranty

The Edson Corporation ("Edson") warrants to the original consumer purchaser of this product, that it is free from defects in materials and workmanship. Edson's responsibility is limited to repair or, at Edson's election, replacement of any defective product and does not include any charges for removal, re-installation, or incidental or consequential damages. Some states do not allow the exclusion or limitation of incidental or consequential damages, so the above limitation or exclusion may not apply to you.

Expiration: This warranty and any implied warranties shall expire one (1) year from the date of purchase; provided, however, that if any product is used for any commercial activity, this warranty shall expire ninety (90) days from date of purchase. Some states do not allow limitations on how long an implied Warranty lasts, so the above limitation may not apply to you.

Exceptions: The above warranty does not apply: to metal finishes or coatings; to a product not installed or maintained following Edson's instructions, damaged by casualty or improper use, repaired or modified by other than Edson personnel, installed in a vessel or manner judged by Edson to be an inappropriate application of its product, or used with other products incompatible with the Edson product or which adversely affect its performance or durability.

Claim Procedure: 1) Immediately upon purchase, complete and mail to Edson the Owner Information Card accompanying Edson's equipment, if any. 2) Immediately upon discovery of any apparent defect, notify your vendor, the builder of your boat, or Edson, describing such defect; 3) the vendor, boatbuilder or Edson shall make a preliminary determination as to whether a warranty claim is justified and, if so, 4) upon request, Edson shall authorize return of the product. NO product shall be returned until authorized by Edson. 5) After such authorization, return the product, freight prepaid, with proof of purchase, if no owner information card has been filed with Edson, to The Edson Corporation, 146 Duchaine Blvd., New Bedford MA 02745. 6) If found defective, Edson shall repair or replace the product and return it at Edson's expense if destination is within continental U.S.A. or, if not, or if special freight required, at owner's expense.

Other Rights: This warranty gives you specific legal rights, and you may also have other rights which vary from State to State.



EDSON®

The Edson Corp.

146 Duchaine Blvd. • New Bedford, MA 02745

Tel (508)995-9711 • Fax (508) 995-5021

email: info@edsonintl.com

www.edsonmarine.com