

EDSON PUMPS® Data Sheet

28202 25 Gallon Pumpout Caddy

Design Features

- Easy to use—low maintenance
- Integral hose rack
- Vertical mount diaphragm pump
- Welded aluminum cart with Pneumatic Tires
- All materials rated for marine use
- 25 Gallon Poly Tank
- Discharge Hose

Performance Features

- Manual Pump for secure self service operations
- Easy fill & off load operation
- Pump out rates to 15 GPM
- Self priming suction from heights up to 15 ft. (7.6m)
- Easily moved around on wide 12" Pneumatic Tires



Weight	
25 Gallon Caddy and discharge hose (No Intake Hose)	60 lbs 27.2 kg

General Description

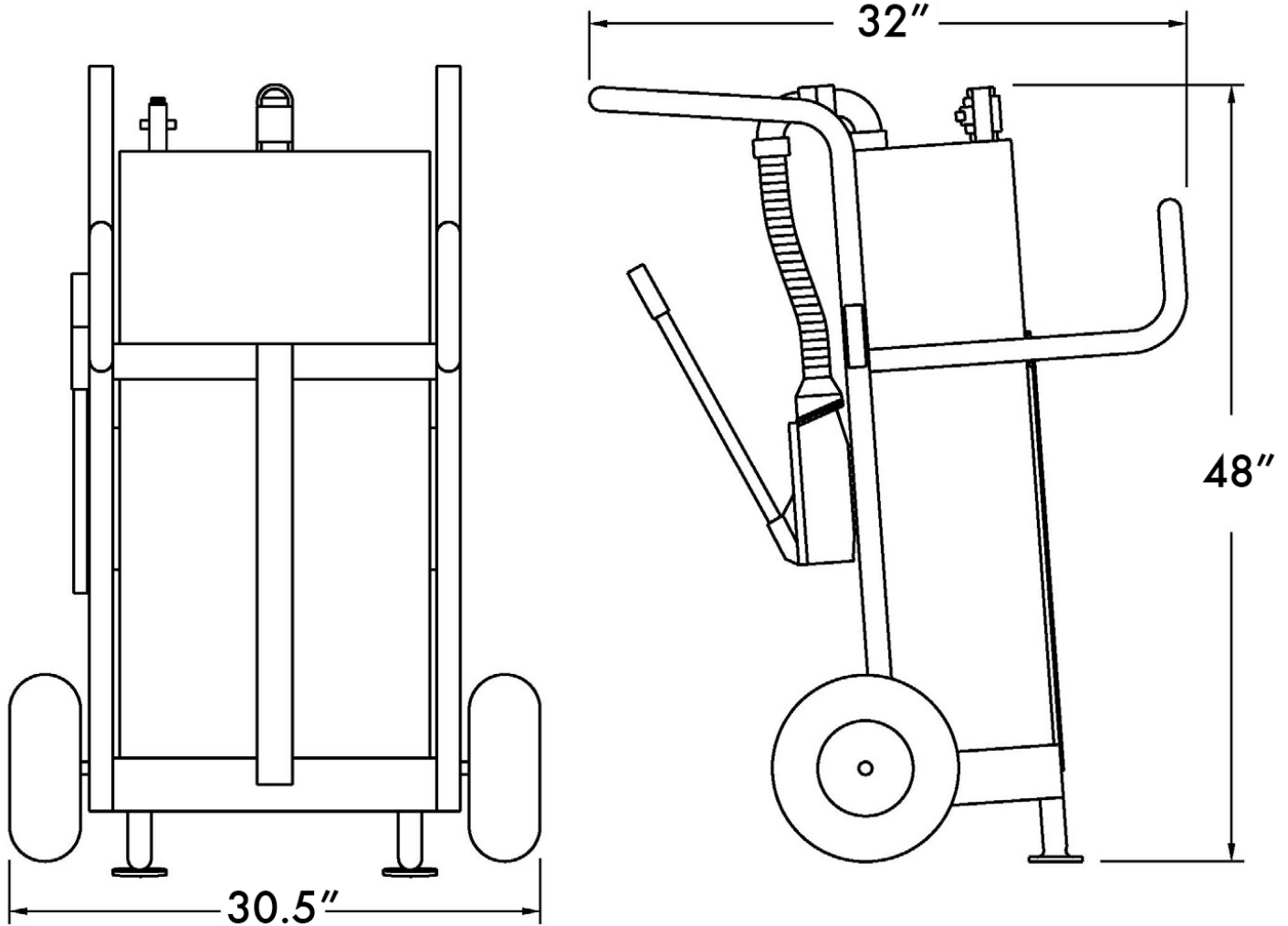
Edson's Manual Diaphragm Pump Out Caddy is a convenient and easy to use waste collection system that is shipped complete. Designed for small collection jobs, the cart with manual pump and 25 gallon tank makes short work of emptying boat holding tanks. It is especially safe for self service facilities and a very economical tool for emptying tanks of boats being pulled for service or storage.

The pump out caddy uses Edson's unique plumbing and hose assemblies which allows the tank to be safely emptied by the pump while virtually eliminating the chance of accidental spillage. The pump and hose assemblies are available as separate items for those who want to use them with their own tanks and carts, trailers or boats.

Pump Performance	Pump Construction	Collection Tank	Collection Tank
<ul style="list-style-type: none"> • Volume - 10 GPM 68.1 LPM • Dry Suction Lift - 15ft 4.57m • Discharge Head - 15ft 4.57m 	<ul style="list-style-type: none"> • Anodized Aluminum Pump • Nitrile Valves & Diaphragm • Stainless Steel Hardware • Vertical Mount, Lever Action 	<ul style="list-style-type: none"> • 25 Gal. High Density Polyethylene Waste Tank • 4" Access Port with Threaded Cap 	<ul style="list-style-type: none"> • 25 Gal. High Density Polyethylene Waste Tank • 4" Access Port with Threaded Cap

28202 25 Gallon Pumpout Caddy

Dimensions:



Discharge/Transfer Assembly:

- (20ft) 1.5-inch ID PVC Hose Assembly
- Used to extend discharge line to empty collection tank.



EDSON PUMPS®

Pumpout Hose Assembly (Sold Separately)



#261-25-150
25ft Assembly Shown

The Edson Pumpout Hose (length 25 Ft [picture to the left], 1½" ID x 2" OD, EPDM tube with Polyethylene helix) comes complete with all fittings and adapters including 90° ball valve and sight glass. It's two part construction of smooth inner bore and rugged outer spiral cap provides a pump out hose that is corrosion resistant, extremely flexible, crush-proof, collapse-proof and abrasive resistant. It can be used with any suction pump and at 104 degrees F has a vacuum rating of 28" Hg and pressure rating of 35 psi.

Description	Part Number
25' Hose Assembly	#261-25-150
33' Hose Assembly	#261-33-150
50' Hose Assembly	#261-50-150
75' Hose Assembly	#261-75-150
100' Hose Assembly	#261-100-150

Deck Adapters (Included)



A
Universal w/Splash Guard
#272QC-150-SG



B
1/2 inch
#273-150



F
Potty Wand
#274-150



G
1/2 inch
#273-125

Assembly Components (Included)



C
Suction Hose
#262-XX-150



D
Clear Check Valve
#269CL-150



E
90° Ball Valve
#264-90-150



H
Female QC x Female NPT
#151FF-150NY



I
Male QC x Female NPT
#158MF-150NY



J
Female QC Male NPT
#152FM-150NY



K
1/2 inch Close Nipple
#266-150

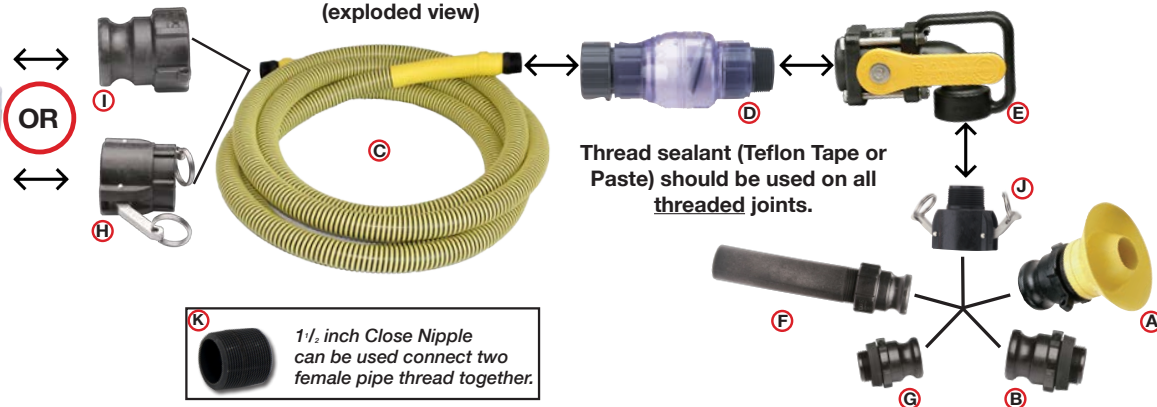
Assembly Instructions:

Insert appropriate size deck fitting adapter to fit boat waste/sewage connector.

NOTE: Use threaded adapters when possible for best results. Potty wand is for portable toilets only. NOT FOR BILGES

Thread appropriate Quick Connect Adapter to fit either the existing suction hydrant or pump inlet

Thread all components as shown (exploded view)



K
1/2 inch Close Nipple can be used connect two female pipe thread together.