

EDSON PUMPS® Data Sheet

NEW Silver Series Peristaltic Pump

28631 | 28633 | 28634



*Silver Series Peristaltic Pump
Shown with optional VFD*

General Description

The 28631 Silver Series Peristaltic Pump gives you the power you need with a smaller footprint and lighter weight. Combines ease of maintenance with power and reliability! This pump is available in multiple configurations!

Design Features

- Up to 22 GPM
- 100ft Discharge Head
- 24ft Suction Lift

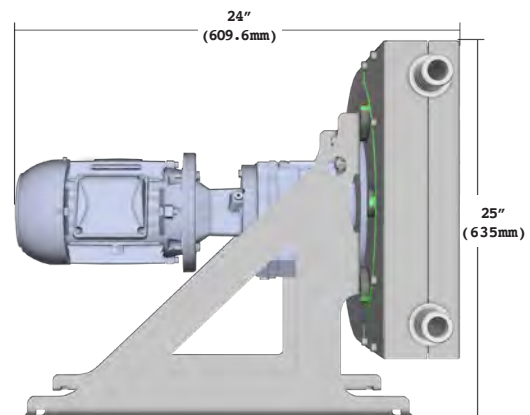
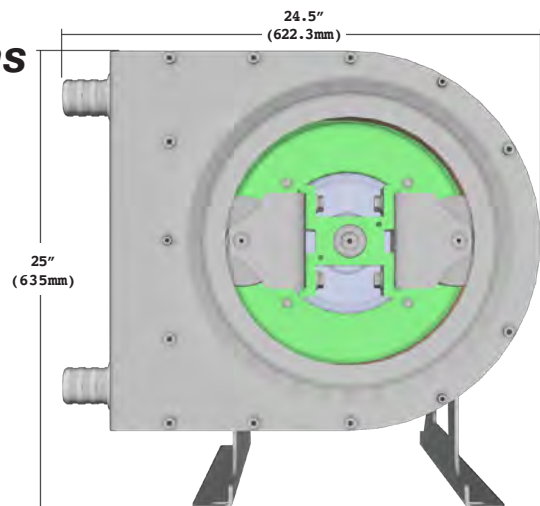
Construction

- Marine Grade Aluminum Casting
- Stainless Steel Hardware
- 1.5" NPT Connections
- Standard 2HP Gearmotor TEFC
- Natural Rubber Internal Hose

Options Available

- Internal Leak Detector
- 1HP to 2HP TEFC Motor
- Explosion Proof Motor
- Multiple Voltage & Phase Options Available
- Variable Frequency Drive
- Low Voltage / Time Controls
- RF Radio Controls

Dimensions Inches (mm)

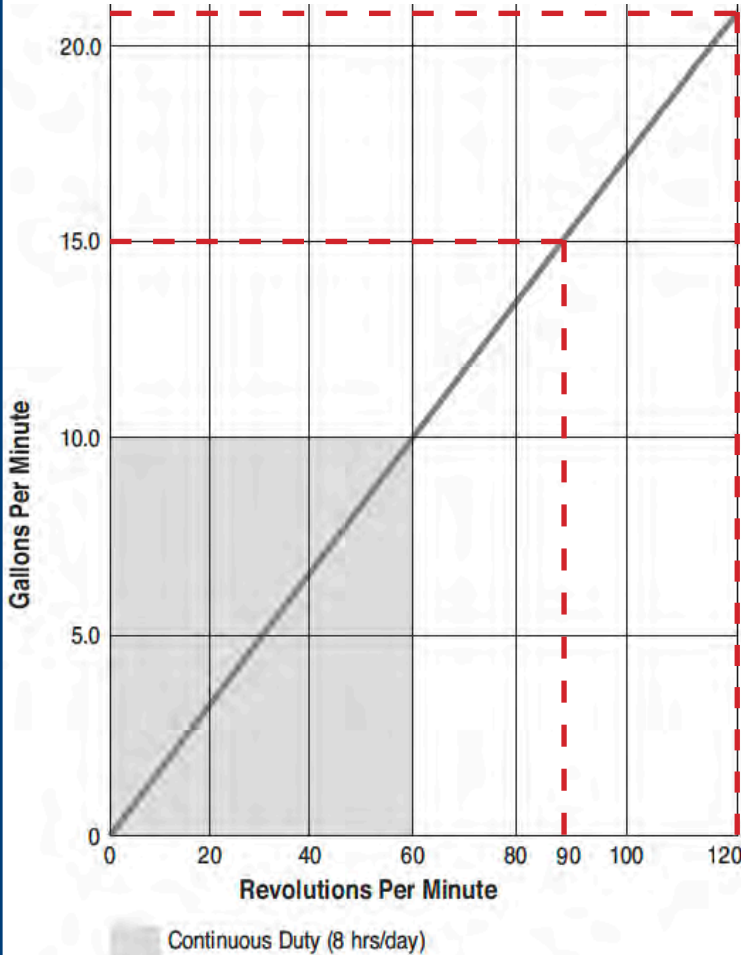


EDSON PUMPS® Data Sheet

Silver Series Peristaltic Pump

28631 | 28633 | 28634

Performance



Fluid Characteristics

Viscosity:	15,000 cps max.
Liquid Temperature:	180°F (82°C) max.
Solid Size:	Compressible solids 1.06 inch (27mm) max. Hard solids .3 inch (7.5 mm) max.
Fiber Length:	1-7/8 inch (47.6 mm) max.

Specifications

Discharge Pressure:	45 psi max.
Suction Lift:	24 ft. (7.3 m)
Horsepower:	1 HP/90 RPM 2 HP/120 RPM
Hose Size:	30 x 55 x 1150 mm
Displacement:	0.182 gal/rev
Weight (pump only):	95 lbs. (43 kg)
Weight (with gear motor):	171 lbs. (78 kg)

OPTIONS

Hose Stands Order No. 260

White Powder Coated Aluminum or Stainless, for pump out stations setup remote from the pump.

They can be equipped with start/stop buttons or token operated starter. All versions come with Operation Instruction Sign and (4) 1/2" X 7" Aluminum Hex Head Mounting Bolts.



Stainless Steel Cover Order No. 26171

Available in 304 or 316 stainless steel this modular cover comes complete with hour meter and start/stop controls. It measures 27" x 31" x 36" (68.58cm x 78.74cm x 91.44cm). Shown here with optional hose rack and fitting rack.



Stainless Deck Fitting Rack Order No. 26045

Stainless steel wire form designed to organize loose deck adapters. The rack holds up to four fittings most often used in performing pump outs. No need to keep a bucket or box for your adapters. The rack mounts vertically with predrilled feet that makes it simple to mount on a pole, wall, hose stand or the pump cover



Control Panel Timer Order No. 161-A-2324 Control Panel Installed On Pump Unit. Order No. 161-K-0006B

High impact resistant NEMA4X rated enclosure comes complete with contactor, programmable run timer and step down transformer for low 24 volt power at the start/stop controls. It includes terminal connections for the remote start/stops.



Hose Rack Order No. 26000

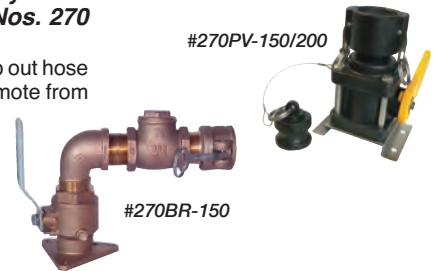
Mounts to any vertical surface including enclosures. Holds up to 75 ft of 1 1/2" hose.



Pumpout Hydrants Order Nos. 270

Used for connecting a pump out hose to a central suction line remote from the pumping unit.

#270PV-150/200



#270BR-150



Recessed Hydrant Containers Order Nos. 265

Used to hide pump out hydrants out of the way, below the dock. Available in aluminum or heavy duty plastic. Both come with a flush aluminum cover.

OTHER PUMP OPTIONS

Optional Length Hose Assemblies Up To 100 ft In Length

Edson can provide any continuous length pumpout hose from 5 ft to 100ft. What ever is required for the installation



Peristaltic Pump Units - Diaphragm Pump Units

Need a pump with greater discharge capability or just more power consider the Edson peristaltic pump units. Available from 3/4Hp to 5Hp.



3/4 HP Diaphragm
Order No.120ELB-40-200



Double Diaphragm
Order No. 25200



Platinum Series Peristaltic
Order No. 28621



146 Duchaine Blvd., New Bedford, MA 02745

www.edsonpumps.com

Tel. 508-995-9711

Fax 508-995-5021

pumps@edsonintl.com