

EDSON PUMPS® Data Sheet

NEW Grey Series Peristaltic Pump

Part #28641

General Description

The 28641 Grey Series Peristaltic Pump gives you the power you need with the smallest footprint out of our Peristaltic Pumps. This lightweight pump makes it perfect for a portable pumping. This pump is available in multiple configurations!



Design Features

- Up to 10 GPM
- 50ft Discharge Head
- 16.5ft Suction Lift

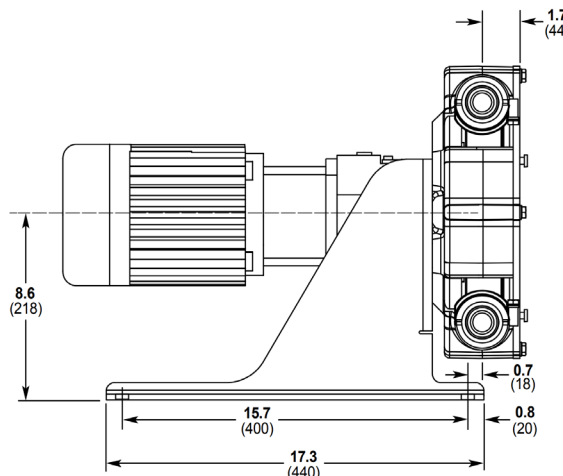
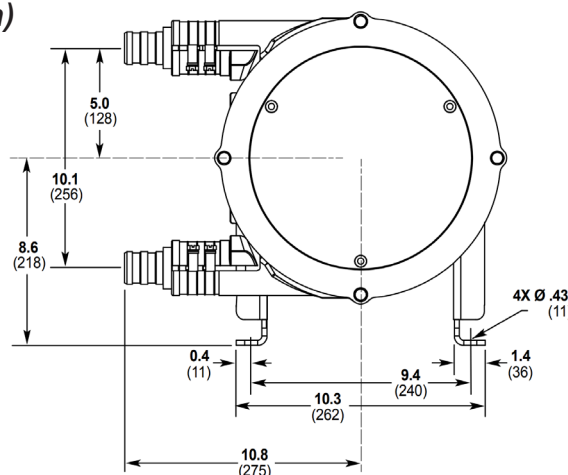
Construction

- Marine Grade Aluminum Casting
- Stainless Steel Hardware
- 1.25" NPT Connections
- Standard 3/4HP Motor
- Natural Rubber Internal Hose

Options Available

- Internal Leak Detector
- Explosion Proof Motor
- Multiple Voltage & Phase Options Available
- Variable Frequency Drive
- Low Voltage / Time Controls
- RF Radio Controls

Dimensions Inches (mm)

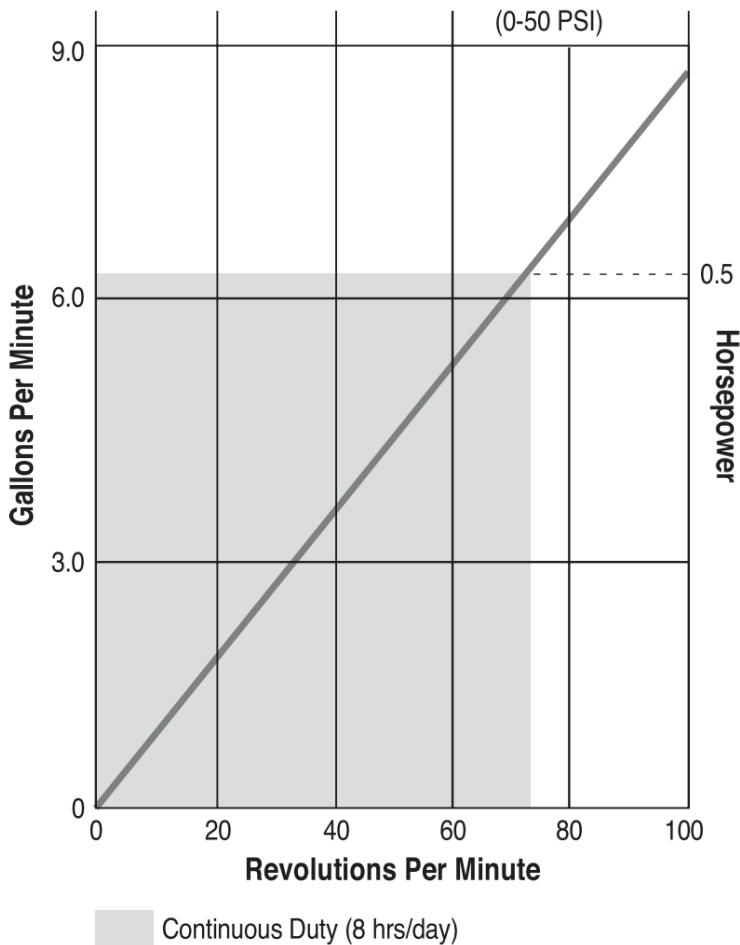


EDSON PUMPS® Data Sheet

Grey Series Peristaltic Pump

Part #28641

Performance



Fluid Characteristics

Liquid Temperature:	180°F (82°C) max.
Fiber Length:	1-1/4 inch (31.7 mm) max.

Specifications

Discharge Pressure:	50 psig (3.4 bar) max.
Suction Lift:	16.5 ft. (5 m)
Horsepower:	3/4HP max.
Hose Size:	25 x 43 x 860 mm
Displacement:	0.085 gal/rev
Weight (pump only):	40 lbs. (18 kg)
Weight (with drive):	83 lbs. (38 kg)