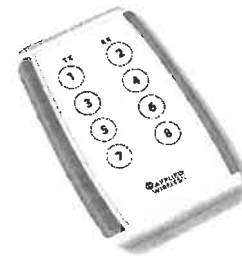


# User's Guide

Instructions for Installation and Operation



900 MHz Spread Spectrum  
**Switch Follower**  
**Remote Switching Products**  
Model SF900C4 & SF900C8



900 MHz Spread Spectrum  
**Two-Way Remote Control**  
Model SFT900C4 & SFT900C8

 **APPLIED  
WIRELESS<sup>®</sup>**

*Long Range Wireless Applications*

Models: SF900C and SFT900C

FCC ID: QY4618

"This device complies with Part 15 of the FCC Rules. Operation is subject to the following two conditions: (1) this device may not cause harmful interference, and (2) this device must accept any interference received, including interference that may cause undesired operation."

#### INSTRUCTION TO THE USER

Note: This equipment has been tested and found to comply with the limits for a Class B digital device, pursuant to part 15 of the FCC Rules. These limits are designed to provide reasonable protection against harmful interference in a residential installation. This equipment generates, uses and can radiate radio frequency energy and, if not installed and used in accordance with the instructions, may cause harmful interference to radio communications. However, there is no guarantee that interference will not occur in a particular installation. If this equipment does cause harmful interference to radio or television reception, which can be determined by turning the equipment off and on, the user is encouraged to try to correct the interference by one or more of the following measures:

- Connect the equipment into an outlet on a circuit different from that to which the receiver is connected.
- Consult an experienced radio/TV technician for help.

Changes or modifications not expressly approved by *Applied Wireless* could void the user's authority to operate the equipment.

## Applied Wireless Inc.

**Switch Follower**  
Model SF900C4 or SF900C8 Pair

**Two-Way Remote**  
Model SFT900C4 Transmitter with SF900C4 Receiver  
or SFT900C8 Transmitter with SF900C8 Receiver

#### Product Descriptions

The SF900C Series switch followers are a two way system designed to provide a quick and cost effective solution for a variety of wireless switching applications. Each unit has 4 or 8 inputs connected to a transmitter and 4 or 8 10 Amp SPDT relay outputs connected to a receiver. They are transceivers designed to work in pairs, the output relays at the *far* unit will "follow" the inputs at the *near* unit and vice versa.

For the SF900C Pair, an optional *loopback* mode can be wired for each channel separately. At the RECEIVE end the relay output can be wired to activate the units corresponding input. This will close the corresponding relay at the originating TRANSMIT end confirming the switch change was carried out at the RECEIVE end.

The inputs are opto-isolated and may be operated by an applied voltage that can be supplied by a power source from 5 to 24 Volts AC or DC through a switch contact, relay, sensor, PLC output, etc.

Alternatively, instead of automatic switch following operation, the SF900C can operate as a 4 or 8 channel wireless relay using a SFT900C 4 or 8 button handheld remote control. When a button is pushed on the SFT900C, a beep will indicate that the proper relay was triggered in the SF900C. In this configuration, the SF900C is always in the loopback mode. With optional software, latched, momentary and toggle mode outputs are available.

These products utilize frequency hopping spread spectrum technology and are immune to interference and multipath fading. All inputs and outputs are independently isolated from each other and from the power supply and ground. Expected range with these products is 3 miles\*. The receiver requires 12 to 24 Volts AC or DC (supply not included).

\* Unobstructed, straight line-of-sight range, when used with the standard antennas included with the SF900C pair.

## Installation Instructions

### **Before Beginning the Installation**

Plan your installation carefully. The physical location and orientation of the unit will have a significant influence on reception, particularly at longest ranges. For best results, **the antennas should be positioned vertically (pointing either up or down)**. If necessary, use double-sided foam tape or hook & loop fasteners (not supplied) to secure the unit to a *non-metallic* vertical surface. Also, keep in mind that the RF signal from the unit will travel through most non-metallic building materials (wood, stucco, brick, etc.), however *maximum stated reception range is based on unobstructed line of sight conditions*.

### LEARN PROCEDURE

**STANDARD TWO WAY APPLICATION:** To pair two SF900C units, place both units in the learn mode by pushing their respective learn buttons. The learn lights will flash. Let's call one the Base unit and the other the Remote unit. The second push of the learn button on the Remote unit will trigger the learning process. Once completed, the learn lights will turn Off. The Remote unit will have learned and adopted the code and frequency of the Base unit. The Base unit is defined as the unit that has not adopted an alternate code. The distinction is important for the next example.

**RECEIVER/TRANSMITTER APPLICATION:** To pair a SF900C to be used as a receiver with a SFT900C handheld transmitter, the case of the SFT900C will have to be removed to access the learn button. Remove the 4 screws from the back cover and remove it. Place both units in the learn mode by pushing their respective learn buttons. The learn lights will flash. Then press the learn button on the SFT900C handheld transmitter again and the pairing will take place. Replace the cover. The SFT900C Remote unit will have learned and adopted the code and frequency of the SF900C Base unit. Other transmitters can be added one at a time by using the SF900C as the base unit by repeating the learn process. All of the transmitter will have learned and adopted the SF900C Base unit's code and frequency.

More SF900C receivers can be added to the above system one at a time by using the same SF900C as the Base unit. However, the covers will have to be removed from the additional SF900C receivers and the ACK jumper will have to be moved to the NO ACK position to disable acknowledgements. When a signal is received from a transmitter, only one receiver, logically the Base unit, must reply with an acknowledgment to avoid collisions.

### CHANGING THE FREQUENCY:

The least significant 5 bits of the address of the Base unit is used to determine the frequency of operation, one of 32 possible. Therefore, there is a 1 in 32 chance that any two units will be operating on the same frequency. The label on the units will have the 4 hex digit code as well as a 2 digit hex frequency. If two or more Base units are to be operating in the same area and they have the frequency, the Base units can be set to different frequencies.

For those units that have a 6-position tri-state dip switch at S1, switches 1 - 5 set the frequency by moving the switches to the up or down position and switch 6 is an enable switch for the alternate frequency selection if set to the down position. The center tri-state position for all of the switches disables the alternate frequency switch function.

An alternate is a 4-position dip switch covering switch positions 2 - 5 and an enable jumper in place of switch 6 allowing for 16 possible frequencies. To enable the alternate frequency selection, Jumper J4 must be moved to the two pins closest to the "EN" position and each of the dip switches must be moved up or down. To disable the alternate frequency selection, the enable jumper must be moved to the two pins farthest from the EN location and the dip switches must be moved to the center tri-state position. See the Frequency Select Switch Table. (1 is UP and 0 is DOWN.)

**NOTE:** Whenever the frequency select switch, S1, is changed on the Base unit, the power has to be turned Off and back On again for the frequency change to take effect. Then, the Learn Procedure will have to be repeated for all of the Remote units associated with the Base unit that has a new frequency setting.

CHANNEL <u>Decimal</u>	CHANNEL <u>HEX</u>	6 Position Switch <u>BINARY, lsb first</u>	4 Position Switch <u>BINARY, lsb first</u>
0	00	000000	0000 EN
1	01	100000	
2	02	010000	1000 EN
3	03	110000	
4	04	001000	0100 EN
5	05	101000	
6	06	011000	1100 EN
7	07	111000	
8	08	000100	0010 EN
9	09	100100	
10	0A	010100	1010 EN
11	0B	110100	
12	0C	001100	0110 EN
13	0D	101100	
14	0E	011100	1110 EN
15	0F	111100	
16	10	000010	0001 EN
17	11	100010	
18	12	010010	1001 EN
19	13	110010	
20	14	001010	0101 EN
21	15	101010	
22	16	011010	1101 EN
23	17	111010	
24	18	000110	0011 EN
25	19	100110	
26	1A	010110	1011 EN
27	1B	110110	
28	1C	001110	0111 EN
29	1D	101110	
30	1E	011110	1111 EN
31	1F	111110	

### LED Indicators (Receiver)

**Power LED:** Indicates that voltage is applied to the receiver.

**Learn LED:** LED blinks when in the learn mode.

**Relay LED's :** They indicate for each relay whether the relay is activated.

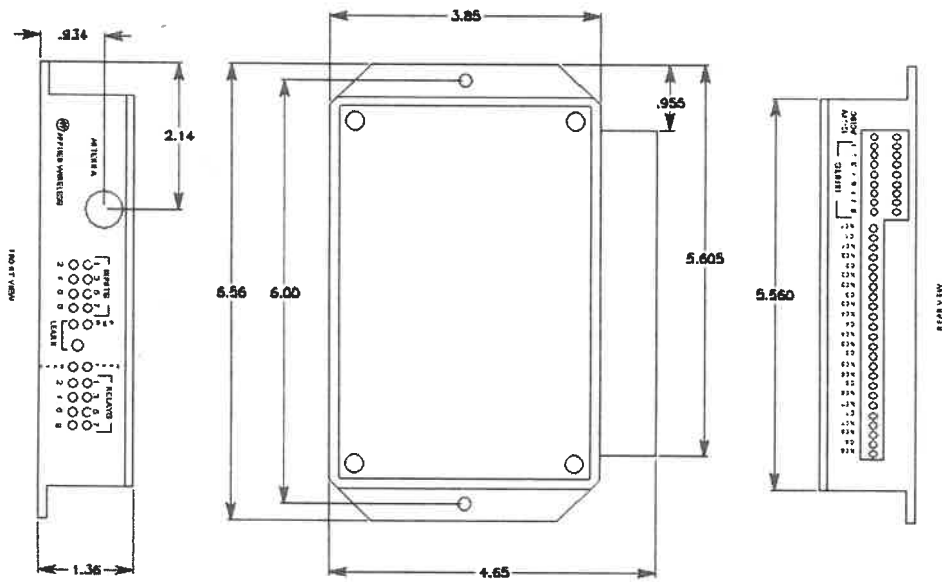
**Data LED:** LED indicates reception of RF signal at the receivers frequency of operation. For troubleshooting purposes, it can indicate the following:

- 1) Whether the transmitter is actually transmitting.
- 2) Whether there are interfering signals at the receiver's frequency of operation. The LED should be dim if the transmitter has no input activated or button is not being pressed. Any LED indication would indicate that an interfering signal is present, the severity of which is indicated by how much the LED is activated.

### Controlling 120V Circuits and High Amperage Loads

The SF900C transceiver is not UL listed, and 110 Volt or higher voltage circuits should not be directly connected to the unit. These high voltage circuits can be controlled however by using a contactor with a 24-VAC coil (AW PN 269006, 30A contactor). For low voltage loads over 10 Amps, Applied Wireless offers high current relays (AWPN 269007, 30A 12VDC Relay) that can be controlled by the SF900C.

## Receiver Package Information



NC-Normally Closed Contact

C1- Common Contact

NO- Normally Open Contact-

Terminal Strips may be "unplugged" for ease of installation.

## Electrical Characteristics

Sym	Parameter	Min	Typ	Max	Unit
	Operating Voltage Range	10	12	36	Volts
	Operating Current, Receive		45	56	mA
	Operating Current, Transmit		212	225	mA
	Input Resistance		4.7K		Ohms
	Signal Input Voltage	5		24	Volts AC
	Output Relay Contact Ratings			10	Amps
f	Frequency Range	902		928	MHz
Z <sub>out</sub>	Antenna Input Impedance		50		Ohms
T <sub>op</sub>	Operating Temperature	-20		+60	C

FCC ID: QY4-618

This device complies with Part 15 of the FCC Rules. Operation is subject to the following two conditions:

- (1) This device may not cause harmful interference and (2) This device must accept any interference received, including interference that may cause undesired operation.

## SFT900C Handheld Transmitter

Battery: CR123

Size: 4.625 x 3.25 x 1.0 Inches

## Related Optional Products

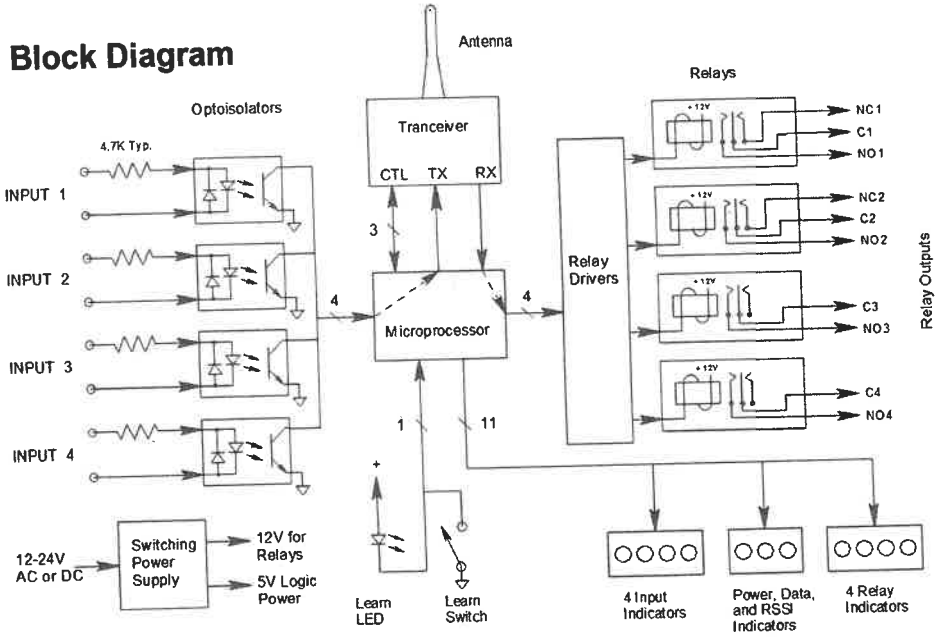
AW Part Number	Description	Volts	Current
610442-SAT	AC Power Adapter, 120VAC Input	12 V <sub>DC</sub>	500 mA
610347	AC Power Adapter, 120VAC Input	24 V <sub>DC</sub>	800 mA
610300	AC Power Transformer, 120VAC Input	24 V <sub>AC</sub>	20 VA
269006	AC Power Line Contactor, SPST, 30A, 24VAC coil		
600279-8	ANTENNA BULKHEAD EXTENSION CABLE, 8.5"		
600279-L200E-72	ANTENNA BULKHEAD EXTENSION CABLE, 6 FT		
OPTION 14	NEMA ENCLOSURE WITH CABLE GLANDS		

### Ordering Information

Model No.	Product Description	Channels	Range	Response Time
SF900C4-B	Switch Follower Transceiver	4	2-miles	180ms
SF900C4-J	Switch Follower Transceiver	4	½-Mile	58ms
SF900C8-B	Switch Follower Transceiver	8	2-miles	180ms
SF900C8-J	Switch Follower Transceiver	8	½-Mile	58ms
SFT900Cn-z	Handheld Transmitter, n-Buttons	n=1,2,3,4,6 or 8		
SFT900Cn-z-XANT	Handheld Transmitter, n-Buttons, External Antenna	n=1,2,3,4,6 or 8		

Note: SFT900C handheld remote transmitter is available with customized graphic button overlay. Contact factory for details.

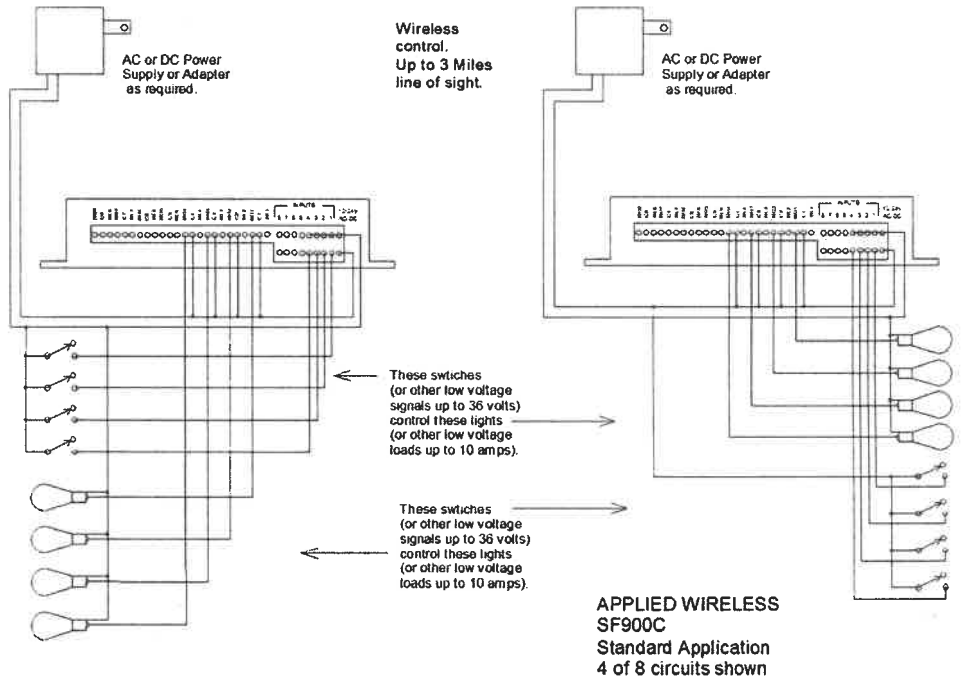
### Block Diagram



### Application Drawings

#### Remote Activation of Relay(s)

In this example, switch(s) activation on a water tank or other switch application, will remotely activate a relay(s) for activating, pump, motor, light or other device.



Products manufactured by APPLIED WIRELESS, INC. (AW) and sold to purchasers in the USA are warranted by AW according to the following terms and conditions. You should read this Warranty thoroughly.

● **WHAT IS COVERED, AND DURATION OF COVERAGE:**

AW warrants the product to be free from defects in materials and workmanship for one (1) year from the date of purchase by the original end user purchaser.

● **WHAT IS NOT COVERED:**

This warranty does not apply to the following:

1. Damage caused by accident, physical or electrical misuse or abuse, improper installation, failure to follow instructions contained in the User's Guide, any use contrary to the product's intended function, unauthorized service or alteration (i.e. service or alteration by anyone other than AW).
2. Damage occurring during shipment.
3. Damage caused by acts of God, including without limitation: earthquake, fire, flood, storms, or other acts of nature.
4. Damage or malfunction caused by the intrusion of moisture or other contamination within the product.
5. Batteries supplied by AW in or for the product.
6. Cosmetic deterioration of chassis, cases, or pushbuttons resulting from wear and tear typical of normal use.
7. Any cost or expense related to troubleshooting to determine whether a malfunction is due to a defect in the product itself, in the installation, or any combination thereof.
8. Any cost or expense related to repairing or correcting the installation of an AW product.
9. Any cost or expense related to the removal or reinstallation of the product.
10. Any product whose serial number or date code is altered, defaced, obliterated, destroyed, or removed.

This warranty is extended to the original purchaser of the product(s) only, and is not transferable to any subsequent owner or owners of the product(s). AW reserves the right to make changes or improvements in its products without incurring any obligation to similarly alter products previously purchased.

● **EXCLUSION OF INCIDENTAL OR CONSEQUENTIAL DAMAGES:**

AW expressly disclaims liability for incidental and consequential damages caused (or allegedly caused) by the product. The term "incidental or consequential damages" refers (but is not limited) to:

1. Expenses of transporting the product to AW to obtain service.
2. Loss of use of the product.
3. Loss of the original purchaser's time.

● **LIMITATION OF IMPLIED WARRANTIES:**

This warranty limits AW's liability to the repair or replacement of the product. AW makes no express warranty of merchantability or fitness for use. Any implied warranties, including fitness for use and merchantability, are limited in duration to the period of the one (1) year express limited warranty set forth herein. The remedies provided under this warranty are exclusive and in lieu of all others. AW neither assumes nor authorizes any person or organization to make any warranties or assume any liability in connection with the sale, installation, or use of this product.

Some states do not allow limitations on how long an implied warranty lasts, and some states do not allow the exclusion or limitation of liability for incidental or consequential damages so the limitations or exclusions stated herein may not apply to you. This warranty gives you specific legal rights and you may have other rights which vary from state to state.

(continued on next page)

● **HOW TO OBTAIN WARRANTY SERVICE:**

If a product covered by this warranty and sold in the USA by AW proves to be defective during the warranty period AW will, at its sole option, repair it or replace it with a comparable new or reconditioned product without charge for parts and labor, when said product is returned in compliance with the following requirements:

1. You must first contact AW at the following address/phone for assistance:

**APPLIED WIRELESS, INC.  
1250 Avenida Acaso, Suite F  
Camarillo, CA 93012  
Phone: (805) 383-9600**

If you are instructed to return your product directly to the factory, a Return Merchandise Authorization number (RMA) will be issued to you.

2. You must package the product carefully and ship it insured and prepaid. The RMA number must be clearly indicated on the outside of the shipping container. *Any product returned without an RMA number will be refused delivery.*
3. In order for AW to perform service under warranty, you must include the following:
  - (a) Your name, return shipping address (not a PO Box), and daytime telephone number.
  - (b) Proof of purchase showing the date of purchase.
  - (c) A detailed description of the defect or problem.

Upon completion of service, AW will ship the product to the specified return shipping address. The method of shipping shall be at AW's sole discretion. The cost of return shipping (within USA) shall be borne by AW.



Applied Wireless products are designed and manufactured  
with pride in the United States of America

© Copyright 2007 by Applied Wireless, Inc. All rights reserved.  
Specifications subject to change without notice.

**APPLIED WIRELESS, INC.**  
1250 Avenida Acaso, Camarillo, CA 93012  
Phone: 805-383-9600 Fax: 805-383-9001  
Email: [info@appliedwireless.com](mailto:info@appliedwireless.com)  
[www.appliedwireless.com](http://www.appliedwireless.com)