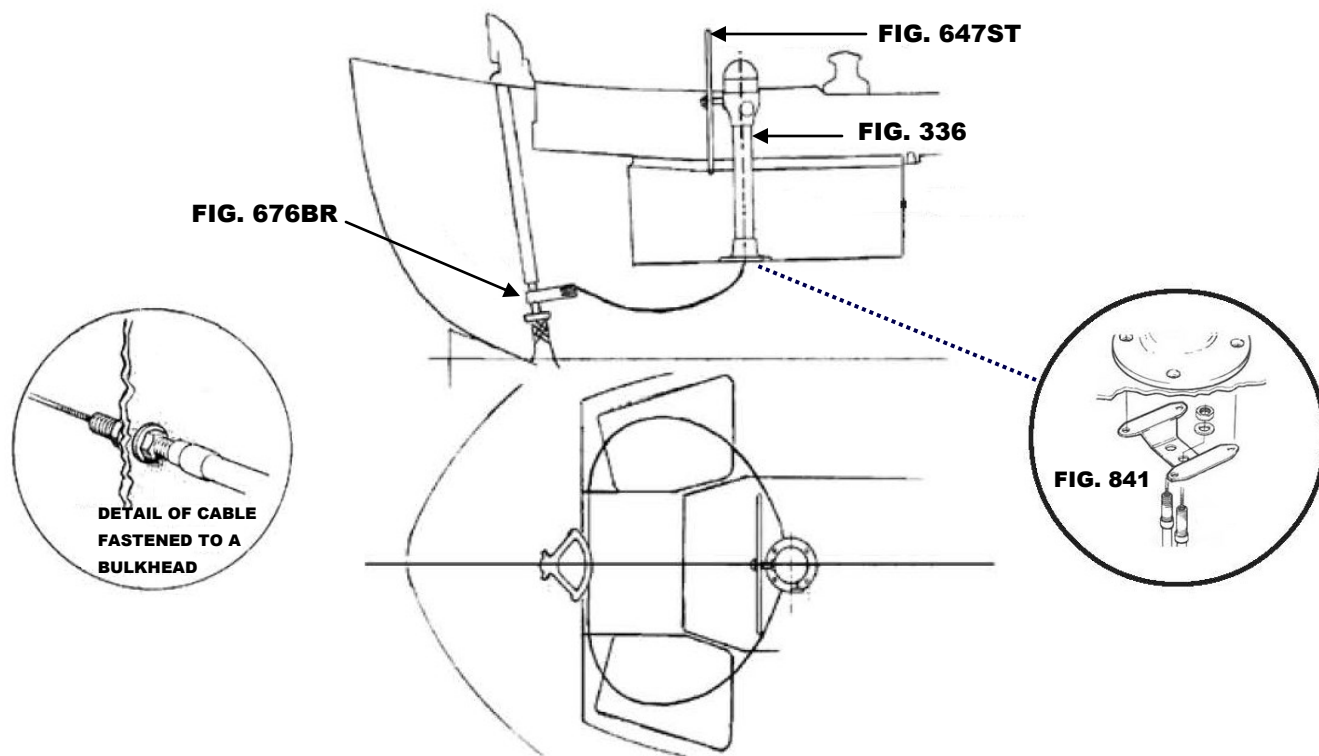


THIS SCHEMATIC IS INTENDED TO PROVIDE AN OUTLINE FOR DESIGNING YOUR SYSTEM. COMPLETE INSTRUCTIONS FOR INSTALLATION CAN BE FOUND IN OUR "PLANNING & INSTALLATION GUIDE", WHICH CAN BE FOUND ON OUR WEBSITE.

VISIT US ONLINE AT  
[WWW.EDSONMARINE.COM](http://WWW.EDSONMARINE.COM)



**STEERING COMPONENTS:**

- |   |   |
|---|---|
| 1 FIG. 336-5-211T                                 | CLASSIC PEDESTAL STEERER/TAPERED  |
| 1 FIG. 647ST-24-5                                 | DISHED DESTROYER WHEEL  |
| 1 FIG. 77103                                      | CHAIN & WIRE ROPE KIT W/HARDWARE [was 774-2S15B9]<br>(1.5FT #50 CHAIN, 9FT 3/16" 7X19 305 SS WIRE ROPE) |
| 2 FIG. 797-5                                      | PULL/PULL CONDUIT W/END FITTINGS  |
| 1 FIG. 841-2                                      | DROP CONDUIT BRACKET  |
| 1 676BR-8   | MANGANESE BRONZE QUADRANT   |
| 4 FIG. 646-4HEX                                   | PEDESTAL MOUNTING BOLTS   |
| (A FIG. 697 STUFFING BOX/BEARING MAY BE REQUIRED) |   |

ALAJUELA 33 (S-853)