

Steering Data Sheet

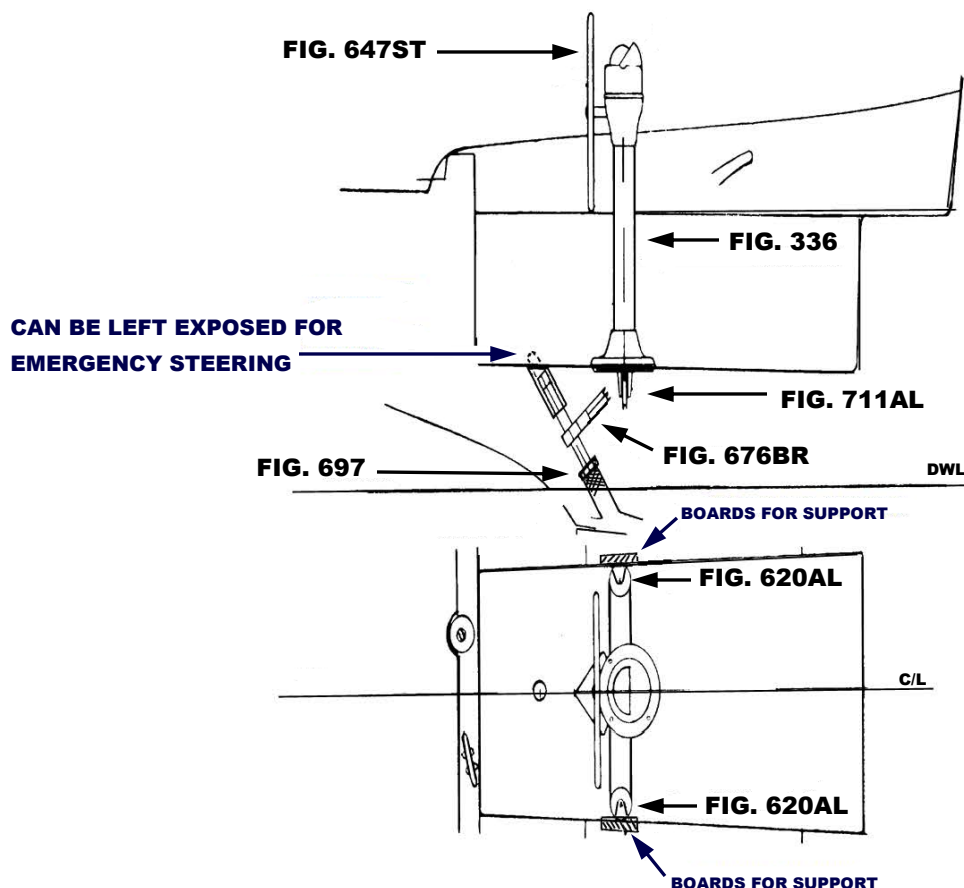


S-216-1

ALBERG 30

THIS SCHEMATIC IS INTENDED TO PROVIDE AN OUTLINE FOR DESIGNING YOUR SYSTEM. COMPLETE INSTRUCTIONS FOR INSTALLATION CAN BE FOUND IN OUR "PLANNING & INSTALLATION GUIDE", WHICH CAN BE FOUND ON OUR WEBSITE.

VISIT US ONLINE AT
WWW.EDSONMARINE.COM



STEERING COMPONENTS:

1 FIG. 336-5-211T

1 FIG. 647ST-22-5

1 FIG. 77103

1 FIG. 711AL-4AL

2 FIG. 620AL-4AL

1 FIG. 676BR-8

4 FIG. 646-4HEX

(A FIG. 697 STUFFING BOX/BEARING MAY BE REQUIRED)

CLASSIC PEDESTAL STEERER/TAPERED

DISHED DESTROYER WHEEL

**CHAIN & WIRE ROPE KIT W/HARDWARE [was 774-2S15B9]
(1.5FT #50 CHAIN, 9FT 3/16" 7X19 305 SS WIRE ROPE)**

ADJUSTABLE IDLER

UPRIGHT SINGLE SHEAVE ASSEMBLY

MANGANESE BRONZE QUADRANT

PEDESTAL MOUNTING BOLTS



146 DUCHAINE BLVD, NEW BEDFORD, MA 02745-1292 Tel: 508-995-9711 Fax: 508-995-5021 FREE FAX: 800-338-5021

ALBERG 30 (S-216-1)