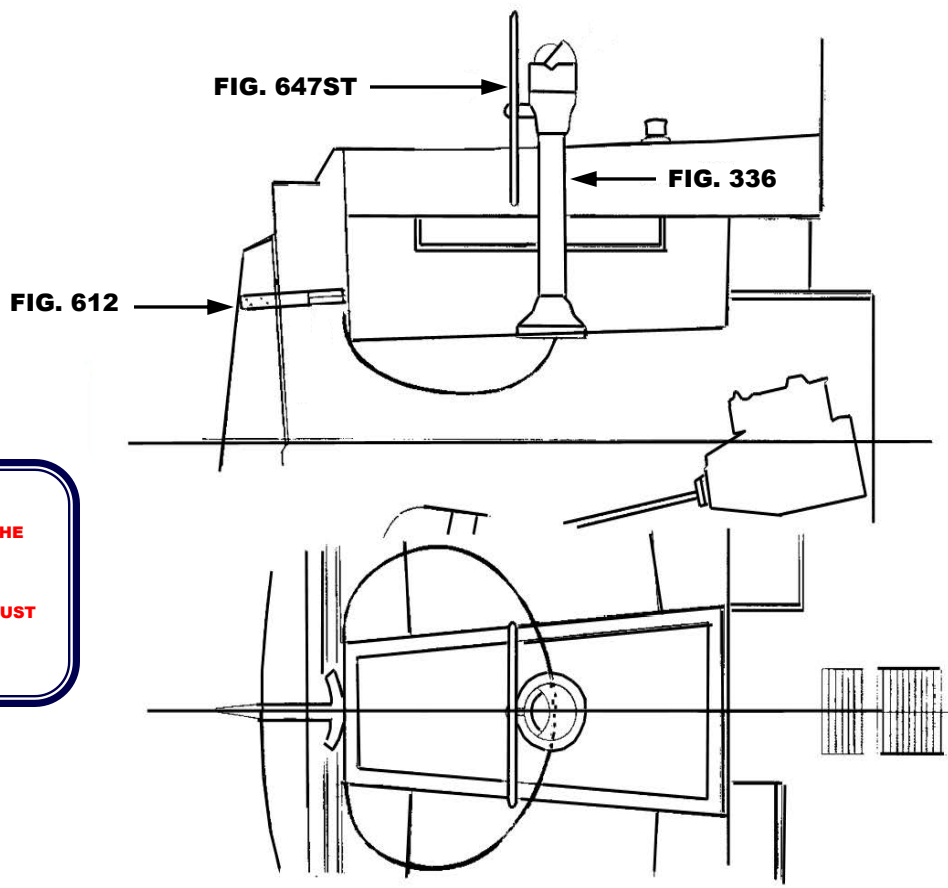


**THIS SCHEMATIC IS INTENDED TO PROVIDE AN OUTLINE FOR DESIGNING YOUR SYSTEM. COMPLETE INSTRUCTIONS FOR INSTALLATION CAN BE FOUND IN OUR "PLANNING & INSTALLATION GUIDE", WHICH CAN BE FOUND ON OUR WEBSITE.**

**VISIT US ONLINE AT  
[WWW.EDSONMARINE.COM](http://WWW.EDSONMARINE.COM)**



**NOTE:**  
THE OPENING FOR THE QUADRANT IS TO BE JUST BELOW UPPER PINTLE. OPENING MUST HAVE A BOOT OR A DRAIN PAN

**STEERING COMPONENTS:**

- |  |   |
|--|---|
| <b>1 FIG. 336-5-211T</b>                                 | <b>CLASSIC PEDESTAL STEERER/TAPERED</b>                     |
| <b>1 FIG. 647ST-20-5</b>                                 | <b>DISHED DESTROYER WHEEL</b>                               |
| <b>1 FIG. 77111</b>                                      | <b>CHAIN &amp; WIRE ROPE KIT W/HARDWARE [was 774-2S2B9]</b> |
|  | <i>(2FT #50 CHAIN, 9FT 3/16" 7X19 305 SS WIRE ROPE)</i>     |
| <b>2 FIG. 797-5</b>                                      | <b>PULL/PULL CONDUIT W/END FITTINGS</b>                     |
| <b>1 FIG. 612-10-175</b>                                 | <b>OUTBOARD RUDDER QUADRANT</b>                             |
| <b>1 FIG. 841-2</b>                                      | <b>DROP CONDUIT BRACKET</b>                                 |
| <b>4 FIG. 646-4HEX</b>                                   | <b>PEDESTAL MOUNTING BOLTS</b>                              |
| <b>(A FIG. 697 STUFFING BOX/BEARING MAY BE REQUIRED)</b> |   |

ALOHA 28 (S-457-1)