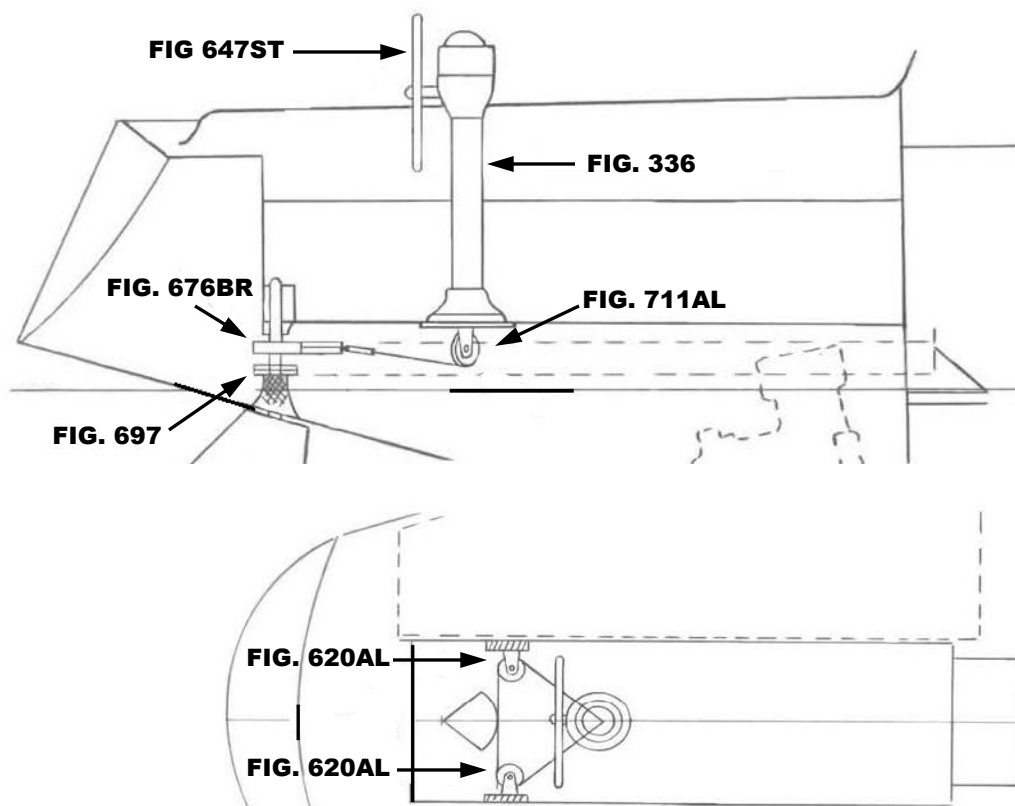


THIS SCHEMATIC IS INTENDED TO PROVIDE AN OUTLINE FOR DESIGNING YOUR SYSTEM. COMPLETE INSTRUCTIONS FOR INSTALLATION CAN BE FOUND IN OUR "PLANNING & INSTALLATION GUIDE", WHICH CAN BE FOUND ON OUR WEBSITE.

VISIT US ONLINE AT
WWW.EDSONMARINE.COM



STEERING COMPONENTS:

1 FIG. 336-5-211T	CLASSIC PEDESTAL STEERER/TAPERED
1 FIG. 647ST-20-5	DISHED DESTROYER WHEEL
1 FIG. 77103	CHAIN & WIRE ROPE KIT W/HARDWARE <i>[was 774-2S15B9]</i>
	<i>(1.5FT #50 CHAIN, 9FT 3/16" 7X19 305 SS WIRE ROPE)</i>
1 FIG. 711AL-4AL	ADJUSTABLE IDLER
2 FIG. 620AL-4AL	UPRIGHT SINGLE SHEAVE ASSEMBLY
1 FIG. 676BR-8	MANGANESE BRONZE QUADRANT
4 FIG. 646-4HEX	PEDESTAL MOUNTING BOLTS
(A FIG. 697 STUFFING BOX/BEARING MAY BE REQUIRED)	