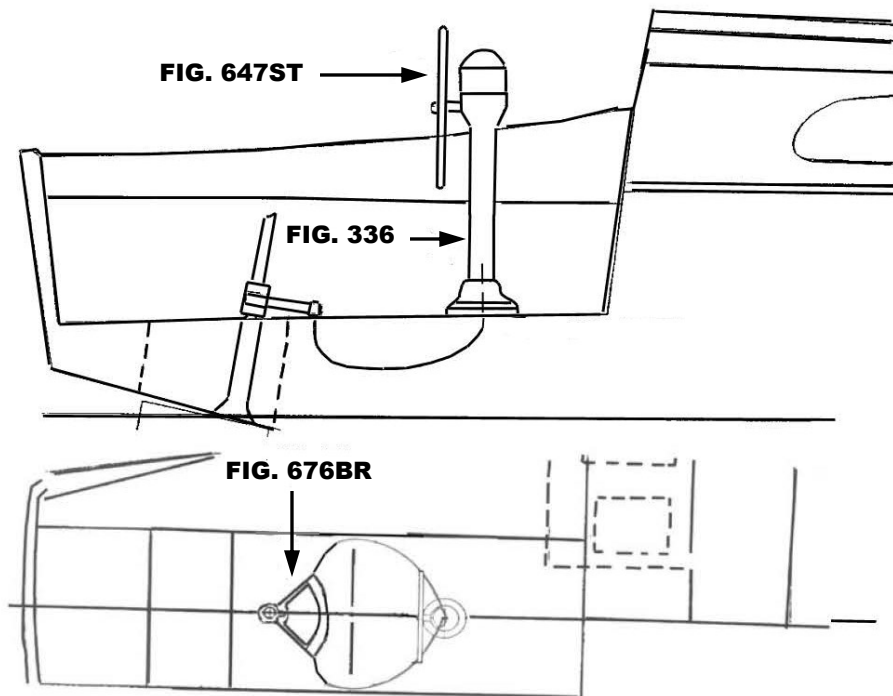


**THIS SCHEMATIC IS INTENDED TO PROVIDE AN OUTLINE FOR DESIGNING YOUR SYSTEM. COMPLETE INSTRUCTIONS FOR INSTALLATION CAN BE FOUND IN OUR "PLANNING & INSTALLATION GUIDE", WHICH CAN BE FOUND ON OUR WEBSITE.**

VISIT US ONLINE AT  
[WWW.EDSONMARINE.COM](http://WWW.EDSONMARINE.COM)



**STEERING COMPONENTS:**

- |                          |  |
|--------------------------|--|
| <b>1 FIG. 336-5-211T</b> | <b>CLASSIC PEDESTAL STEERER/TAPERED</b>                      |
| <b>1 FIG. 647ST-22-5</b> | <b>DISHED DESTROYER WHEEL</b>                                |
| <b>1 FIG. 77103</b>      | <b>CHAIN &amp; WIRE ROPE KIT W/HARDWARE [was 774-2S15B9]</b> |
|                          | <i>(1.5FT #50 CHAIN, 9FT 3/16" 7X19 305 SS WIRE ROPE)</i>    |
| <b>1 FIG. 868-2</b>      | <b>INTERNAL CONDUIT BRACKET</b>                              |
| <b>2 FIG. 797-6</b>      | <b>PULL/PULL CONDUIT W/END FITTINGS</b>                      |
| <b>1 FIG. 676BR-8</b>    | <b>MANGANESE BRONZE QUADRANT</b>                             |
| <b>4 FIG. 646-4HEX</b>   | <b>PEDESTAL MOUNTING BOLTS</b>                               |

BALBOA 26 (S-447)