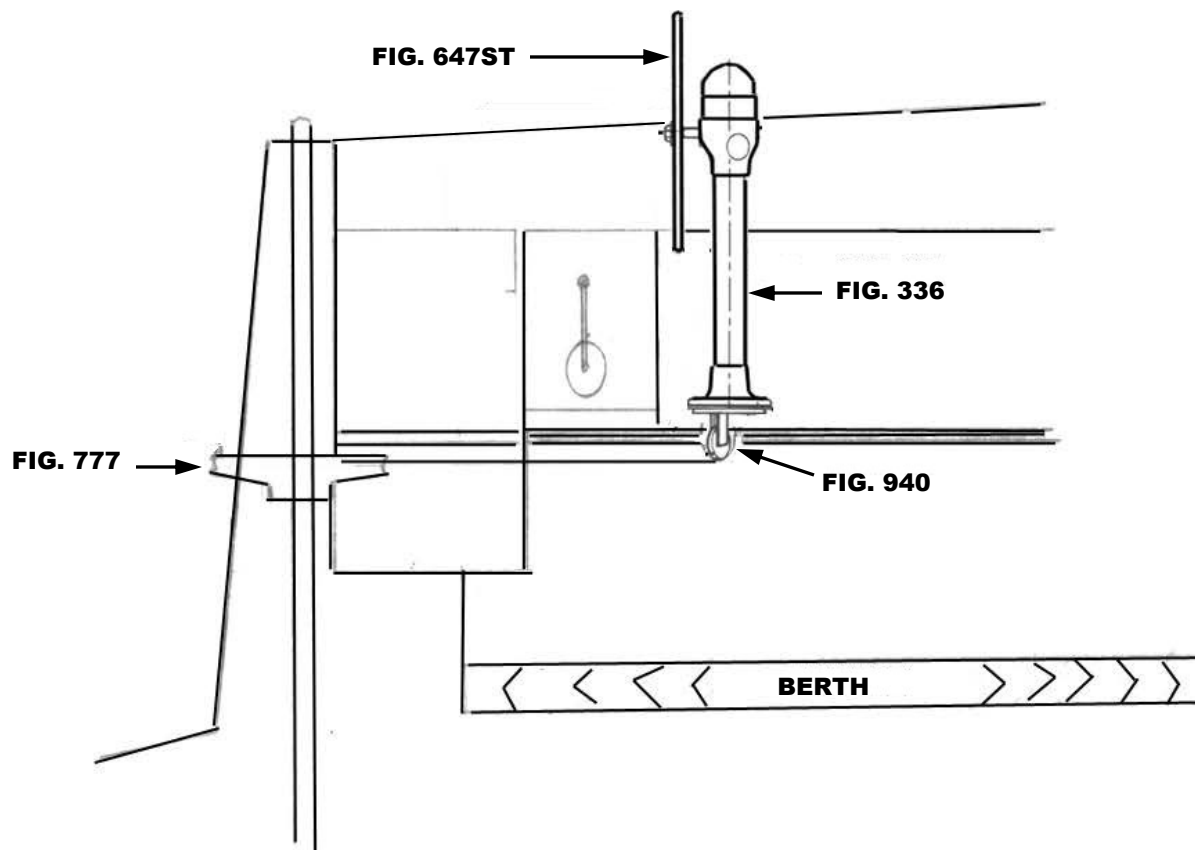


**THIS SCHEMATIC IS INTENDED TO PROVIDE AN OUTLINE FOR DESIGNING YOUR SYSTEM. COMPLETE INSTRUCTIONS FOR INSTALLATION CAN BE FOUND IN OUR "PLANNING & INSTALLATION GUIDE", WHICH CAN BE FOUND ON OUR WEBSITE.**

VISIT US ONLINE AT  
[WWW.EDSONMARINE.COM](http://WWW.EDSONMARINE.COM)



**STEERING COMPONENTS:**

- 1 FIG. 336-5-211T
- 1 FIG. 647ST-26-5
- 1 FIG. 77103
- 1 FIG. 940AL-28/4
- 1 FIG. 777-6.5
- 4 FIG. 646-4HEX
- 1 FIG. 697-1.75

- CLASSIC PEDESTAL STEERER/TAPERED
- DISHED DESTROYER WHEEL
- CHAIN & WIRE ROPE KIT W/HARDWARE *[was 774-2S15B9]*  
*(1.5FT #50 CHAIN, 9FT 3/16" 7X19 305 SS WIRE ROPE)*
- RECESSED CROSSED WIRE IDLER
- RADIAL DRIVE WHEEL
- PEDESTAL MOUNTING BOLT
- STUFFING BOX/BEARING (MAY BE REQUIRED)
- MUST VERIFY SIZE WHEN ORDERING**

BENETEAU 305 (S-1928)