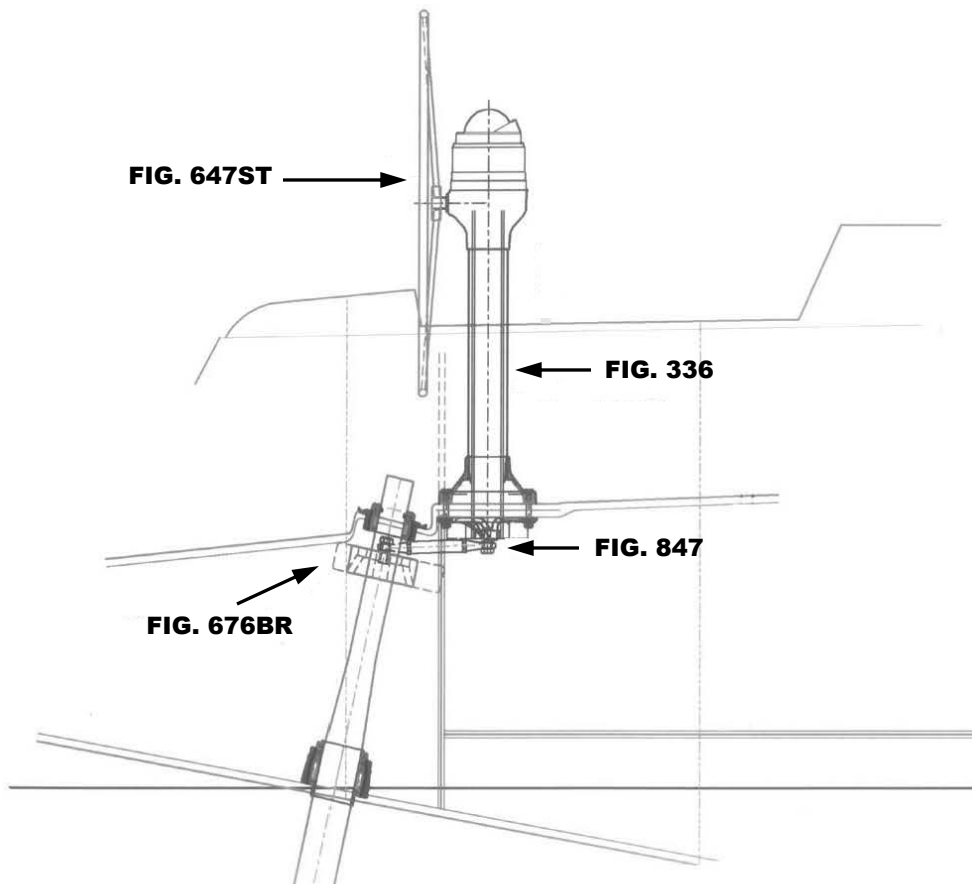




BENETEAU 35

THIS SCHEMATIC IS INTENDED TO PROVIDE AN OUTLINE FOR DESIGNING YOUR SYSTEM. COMPLETE INSTRUCTIONS FOR INSTALLATION CAN BE FOUND IN OUR "PLANNING & INSTALLATION GUIDE", WHICH CAN BE FOUND ON OUR WEBSITE.

VISIT US ONLINE AT
WWW.EDSONMARINE.COM



STEERING COMPONENTS:

- | | |
|-------------------|--|
| 1 FIT. 336-5-211T | CLASSIC PEDESTAL STEERER/TAPERED |
| 1 FIG. 647ST-28-5 | DISHED DESTROYER WHEEL |
| 1 FIG. 77111 | CHAIN & WIRE ROPE KIT W/HARDWARE [was 774-2S2B] |
| | <i>(2FT #50 CHAIN, 9FT 3/16" 7X19 305 SS WIRE ROPE)</i> |
| 1 FIG. 841-2 | DROP CONDUIT BRACKET |
| 2 FIG. 797-6 | PULL/PULL CONDUIT W/END FITTINGS |
| 2 FIG. 847-4AL | FLAT CONDUIT IDLER |
| 1 FIG. 676BR-10 | LARGE BORE QUADRANT |
| 4 FIG. 646-6HEX | PEDESTAL MOUNTING BOLTS |

BENETEAU 35 (S-2839)

