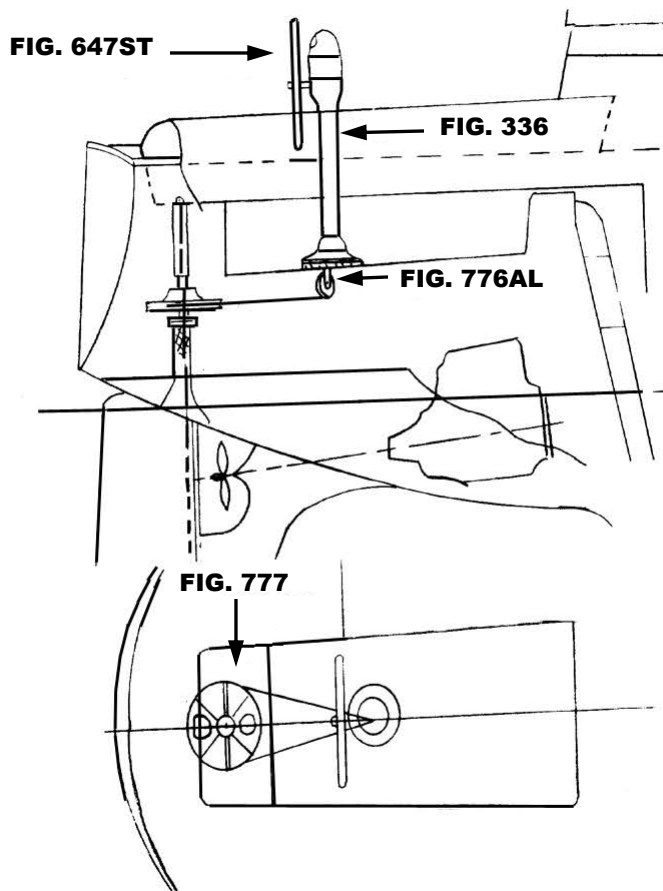




# BRISTOL 27.7 & 29.9

**THIS SCHEMATIC IS INTENDED TO PROVIDE AN OUTLINE FOR DESIGNING YOUR SYSTEM. COMPLETE INSTRUCTIONS FOR INSTALLATION CAN BE FOUND IN OUR "PLANNING & INSTALLATION GUIDE", WHICH CAN BE FOUND ON OUR WEBSITE.**

**VISIT US ONLINE AT  
[WWW.EDSONMARINE.COM](http://WWW.EDSONMARINE.COM)**



**NOTE:**  
WIRES MUST BE  
CROSSED WITHIN  
PEDESTAL FOR  
PROPER STEERING  
DIRECTION

**STEERING COMPONENTS:**

- |                                                          |                                                                                                                           |
|----------------------------------------------------------|---------------------------------------------------------------------------------------------------------------------------|
| 1 FIG. 336-5-211T                                        | <b>CLASSIC PEDESTAL STEERER/TAPERED</b>                                                                                   |
| 1 FIG. 647ST-22-5                                        | <b>DISHED DESTROYER WHEEL</b>                                                                                             |
| 1 FIG. 77103                                             | <b>CHAIN &amp; WIRE ROPE KIT W/HARDWARE [was 774-2S15B9]</b><br><i>(1.5FT #50 CHAIN, 9FT 3/16" 7X19 305 SS WIRE ROPE)</i> |
| 1 FIG. 776AL-4AL                                         | <b>ADJUSTABLE CROSSED WIRE IDLER</b>                                                                                      |
| 1 FIG. 777-8                                             | <b>RADIAL DRIVE WHEEL</b>                                                                                                 |
| 4 FIG. 646-4HEX                                          | <b>PEDESTAL MOUNTING BOLTS</b>                                                                                            |
| <b>(A FIG. 697 STUFFING BOX/BEARING MAY BE REQUIRED)</b> |                                                                                                                           |

BRISTOL 27.7 & 29.9 (S-855-2)

