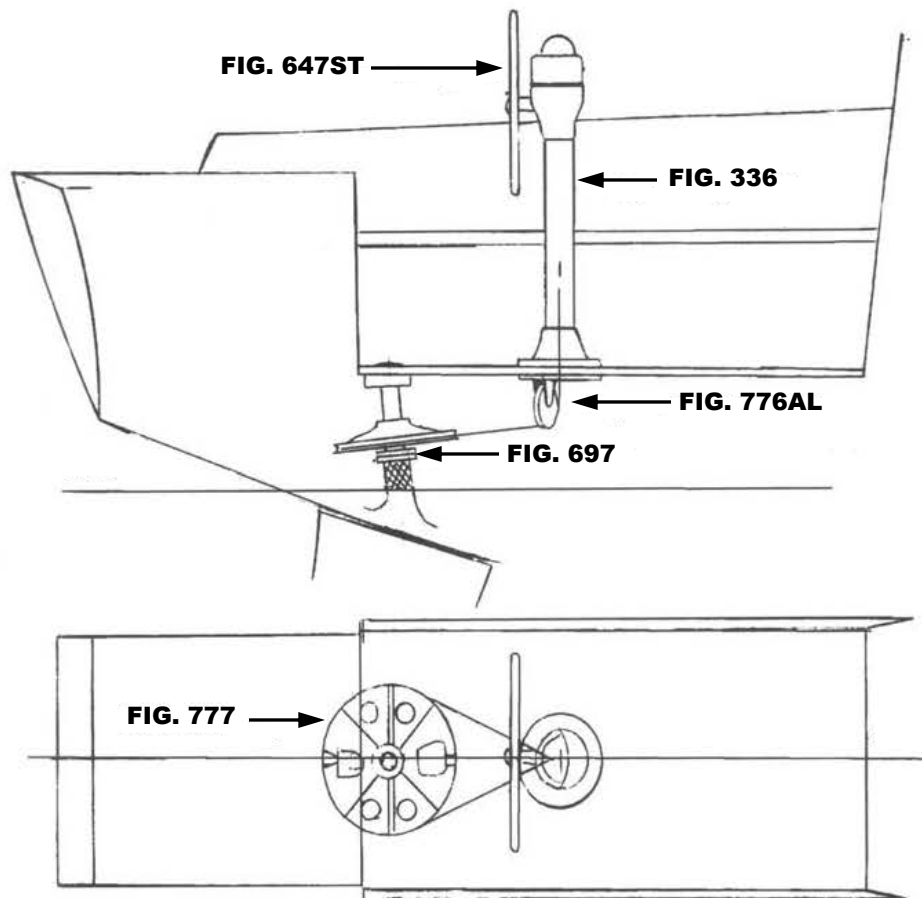




**BRISTOL COURIER 26**

**THIS SCHEMATIC IS INTENDED TO PROVIDE AN OUTLINE FOR DESIGNING YOUR SYSTEM. COMPLETE INSTRUCTIONS FOR INSTALLATION CAN BE FOUND IN OUR "PLANNING & INSTALLATION GUIDE", WHICH CAN BE FOUND ON OUR WEBSITE.**

**VISIT US ONLINE AT  
WWW.EDSONMARINE.COM**



**STEERING COMPONENTS:**

- |                                                          |                                                              |
|----------------------------------------------------------|--------------------------------------------------------------|
| <b>1 FIG. 336-5-211T</b>                                 | <b>CLASSIC PEDESTAL STEERER/TAPERED</b>                      |
| <b>1 FIG. 647ST-20-5</b>                                 | <b>DISHED DESTROYER WHEEL</b>                                |
| <b>1 FIG. 77103</b>                                      | <b>CHAIN &amp; WIRE ROPE KIT W/HARDWARE [was 774-2S15B9]</b> |
|                                                          | <i>(1.5FT #50 CHAIN, 9FT 3/16" 7X19 305 SS WIRE ROPE)</i>    |
| <b>1 FIG. 776AL-4AL</b>                                  | <b>ADJUSTABLE CROSSED WIRE IDLER</b>                         |
| <b>1 FIG. 777-8</b>                                      | <b>RADIAL DRIVE WHEEL</b>                                    |
| <b>4 FIG. 646-4HEX</b>                                   | <b>PEDESTAL MOUNTING BOLTS</b>                               |
| <b>(A FIG. 697 STUFFING BOX/BEARING MAY BE REQUIRED)</b> |                                                              |

BRISTOL COURIER 26 (S-312-1)

