

# Steering Data Sheet



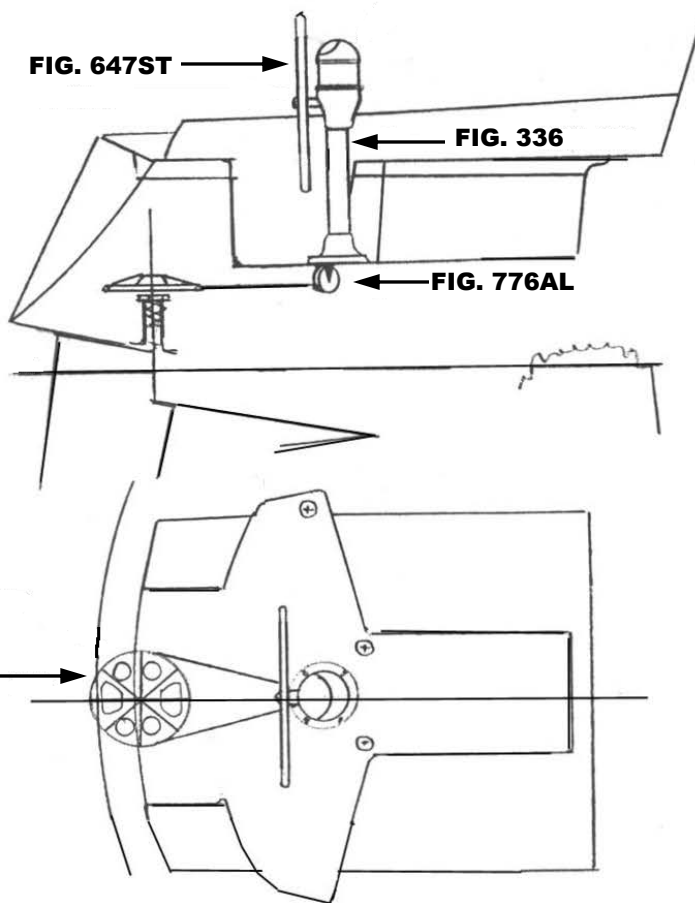
## C & C 29

S-1232

(AS OF SUMMER 1982)

**THIS SCHEMATIC IS INTENDED TO PROVIDE AN OUTLINE FOR DESIGNING YOUR SYSTEM. COMPLETE INSTRUCTIONS FOR INSTALLATION CAN BE FOUND IN OUR "PLANNING & INSTALLATION GUIDE", WHICH CAN BE FOUND ON OUR WEBSITE.**

VISIT US ONLINE AT  
[WWW.EDSONMARINE.COM](http://WWW.EDSONMARINE.COM)



**NOTE:**

**SOME FACTORY INSTALLED WHEEL STEERING ABOARD THE C&C 29 MAY NOT BE EDSON EQUIPMENT. PLEASE VERIFY YOUR BRAND OF STEERING.**

**STEERING COMPONENTS:**

- 1 FIG. 336-5-211T
- 1 FIG. 647ST-32-5
- 1 FIG. 77103

- 1 FIG. 776AL-4AL
- 1 FIG. 777-6.5
- 4 FIG. 646-6HEX

(A FIG. 697 STUFFING BOX/BEARING MAY BE REQUIRED)

- CLASSIC PEDESTAL STEERER/TAPERED
- DISHED DESTROYER WHEEL
- CHAIN & WIRE ROPE KIT W/HARDWARE *[was 774-2S15B9]*
- (1.5FT #50 CHAIN, 9FT 3/16" 7X19 305 SS WIRE ROPE)
- ADJUSTABLE CROSSED WIRE IDLER
- RADIAL DRIVE WHEEL
- PEDESTAL MOUNTING BOLTS

