

# Steering Data Sheet

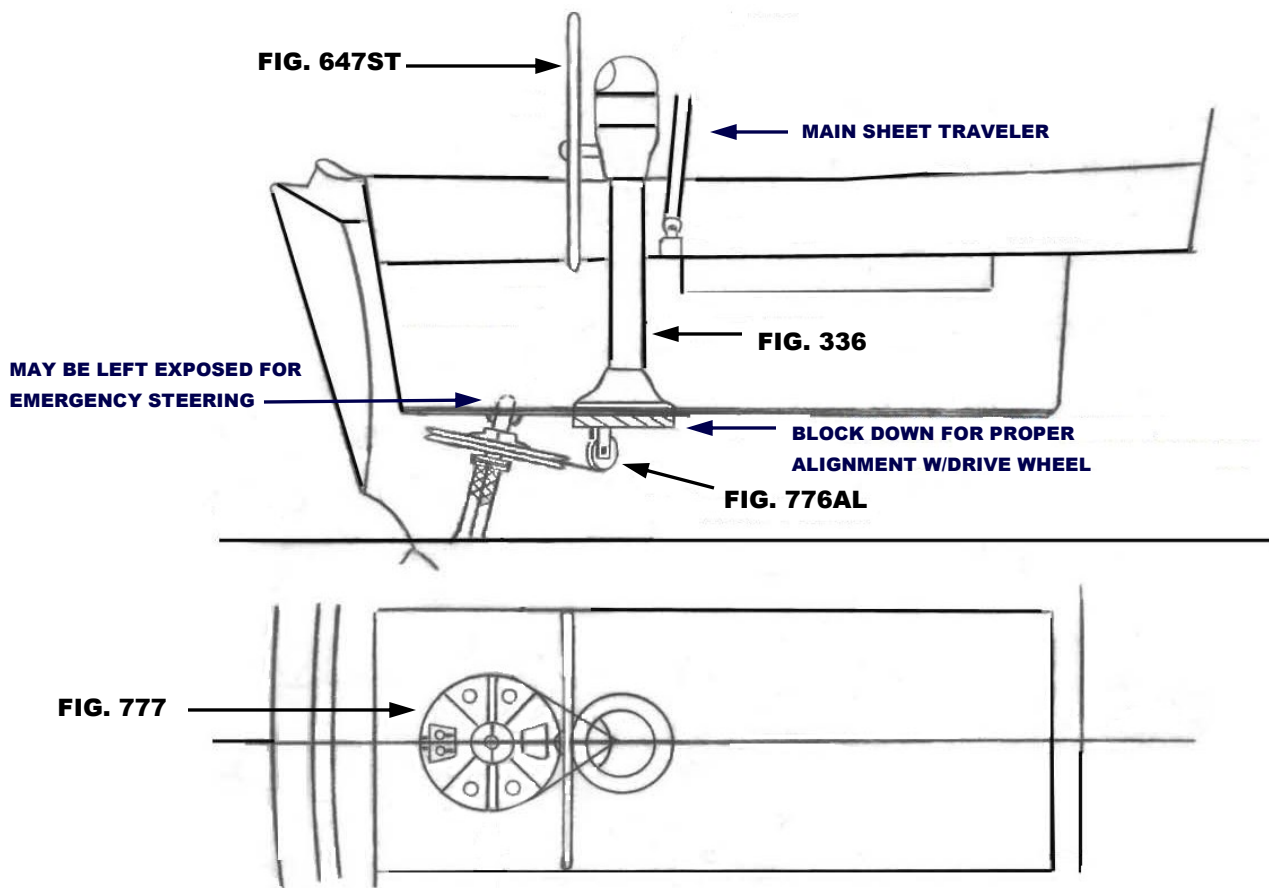


**C & C 30**  
[ 1971—1986 ]

S-377-3

**THIS SCHEMATIC IS INTENDED TO PROVIDE AN OUTLINE FOR DESIGNING YOUR SYSTEM. COMPLETE INSTRUCTIONS FOR INSTALLATION CAN BE FOUND IN OUR "PLANNING & INSTALLATION GUIDE", WHICH CAN BE FOUND ON OUR WEBSITE.**

VISIT US ONLINE AT  
[WWW.EDSONMARINE.COM](http://WWW.EDSONMARINE.COM)



### **STEERING COMPONENTS:**

- |                   |   |
|-------------------|---|
| 1 FIG. 336-5-211T | <b>CLASSIC PEDESTAL STEERER/TAPERED</b>   |
| 1 FIG. 647ST-28-5 | <b>DISHED DESTROYER WHEEL</b>   |
| 1 FIG. 77103      | <b>CHAIN &amp; WIRE ROPE KIT W/HARDWARE [was 774-2S15B9]</b><br><i>(1.5FT #50 CHAIN, 9FT 3/16" 7X19 305 SS WIRE ROPE)</i> |
| 1 FIG. 776AL-4AL  | <b>ADJUSTABLE CROSSED WIRE IDLER</b>  |
| 1 FIG. 777-8      | <b>RADIAL DRIVE WHEEL</b>   |
| 4 FIG. 646-4HEX   | <b>PEDESTAL MOUNTING BOLTS</b>  |
- (A FIG. 697 STUFFING BOX/BEARING MAY BE REQUIRED)**

