

Steering Data Sheet

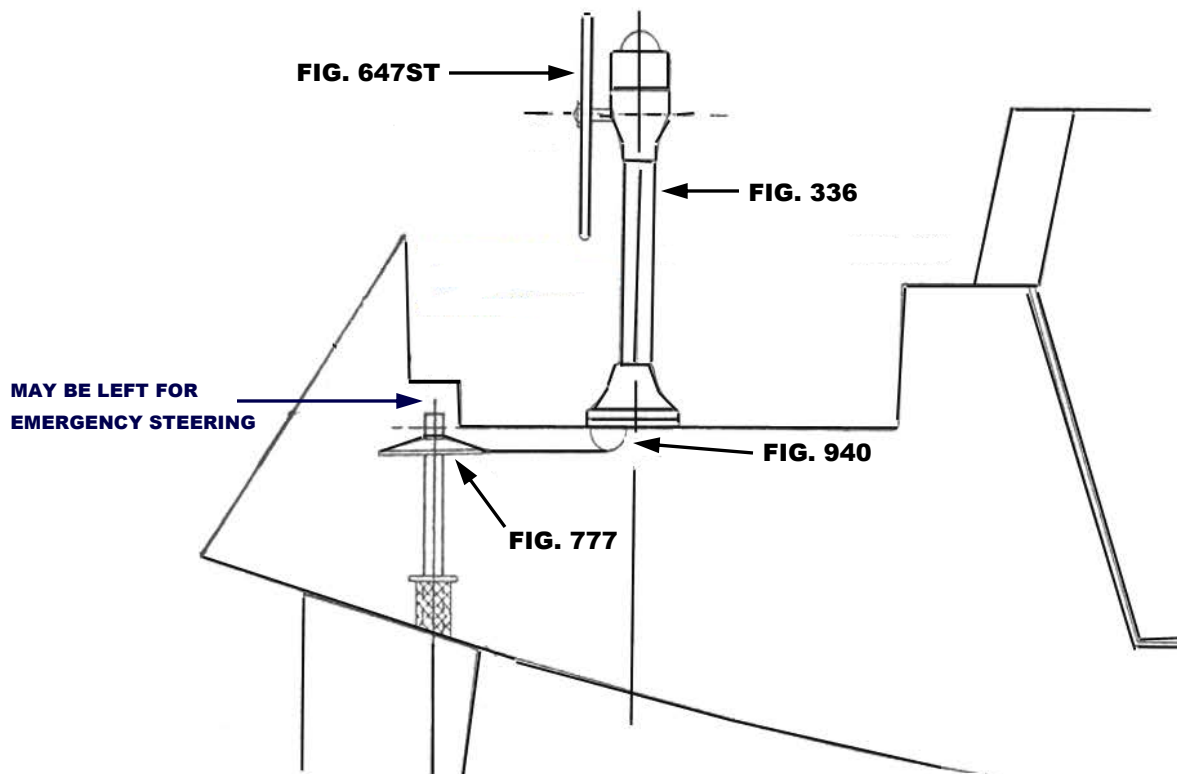


C & C 30 [1987 AND UP]

S-2027

THIS SCHEMATIC IS INTENDED TO PROVIDE AN OUTLINE FOR DESIGNING YOUR SYSTEM. COMPLETE INSTRUCTIONS FOR INSTALLATION CAN BE FOUND IN OUR "PLANNING & INSTALLATION GUIDE", WHICH CAN BE FOUND ON OUR WEBSITE.

VISIT US ONLINE AT
WWW.EDSONMARINE.COM



STEERING COMPONENTS:

- | | |
|--|--|
| 1 FIG. 336-5-211T | CLASSIC PEDESTAL STEERER/TAPERED |
| 1 FIG. 647ST-36-5 | DISHED DESTROYER WHEEL |
| 1 FIG. 77111 | CHAIN & WIRE ROPE KIT W/HARDWARE <i>[was 774-2S2B9]</i> |
| | <i>(2FT #50 CHAIN, 9FT 3/16" 7X19 305 SS WIRE ROPE)</i> |
| 1 FIG. 940AL-28-4 | RECESSED CROSSED WIRE IDLER |
| 1 FIG. 777-8 | RADIAL DRIVE WHEEL |
| 4 FIG. 646-4HEX | PEDESTAL MOUNTING BOLTS |
| (A FIG. 697 STUFFING BOX/BEARING MAY BE REQUIRED) | |



146 DUCHAINE BLVD, NEW BEDFORD, MA 02745-1292 Tel: 508-995-9711 Fax: 508-995-5021 FREE FAX: 800-338-5021

C & C 30 [1987 AND UP]