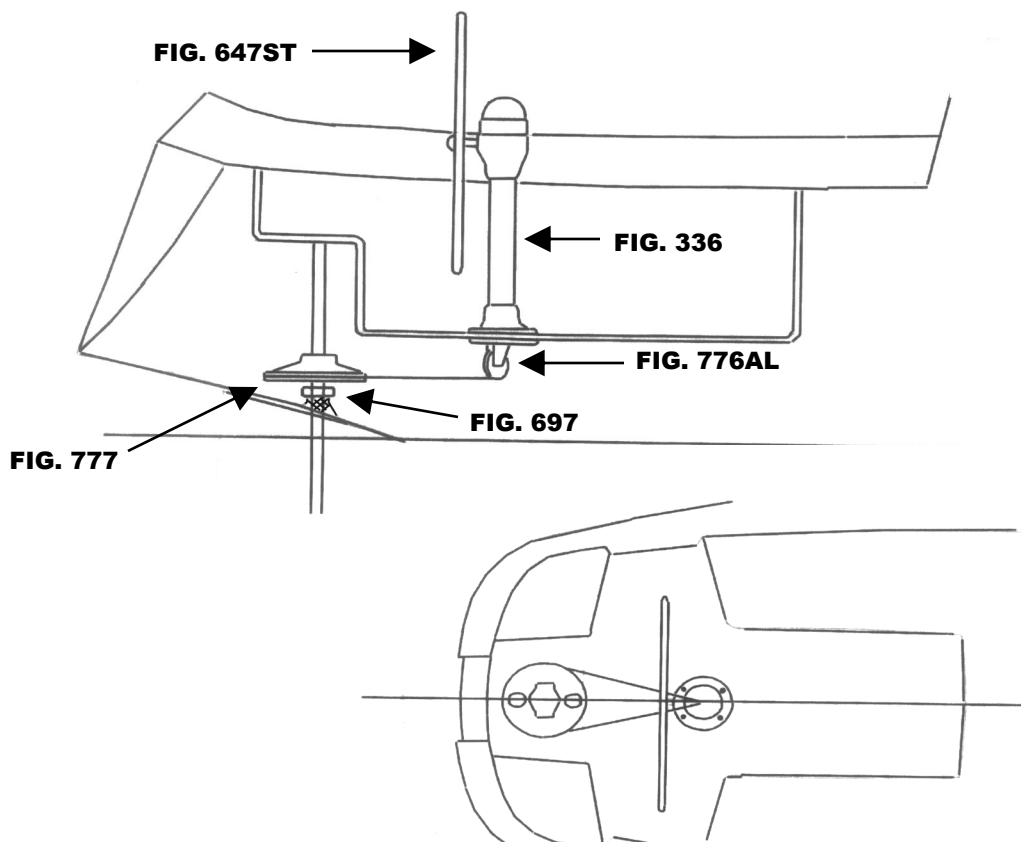


This schematic is intended to provide an outline for designing your system. Complete instructions for installation can be found in our "PLANNING & INSTALLATION GUIDE", which can be found on our website.

VISIT US ONLINE AT
WWW.EDSONMARINE.COM



C & C 37 (S-1197)

STEERING COMPONENTS:

- | | |
|--|--|
| 1 FIG. 336-5-211T | CLASSIC PEDESTAL STEERER/TAPERED |
| 1 FIG. 647ST-36-5 | DISHED DESTROYER WHEEL |
| 1 FIG. 77201 | CHAIN & WIRE ROPE W/HARDWARE <i>[was 774-2B2D9]</i> |
| | <i>(2FT #50 CHAIN, 9FT 1/4" 7X19 305 SS WIRE ROPE)</i> |
| 1 FIG. 776AL-4AL | ADJUSTABLE CROSSED WIRE IDLER |
| 1 FIG. 777-10 | RADIAL DRIVE WHEEL |
| 4 FIG. 646-6HEX | PEDESTAL MOUNTING BOLTS |
| (A FIG. 697 STUFFING BOX/BEARING MAY BE REQUIRED) | |