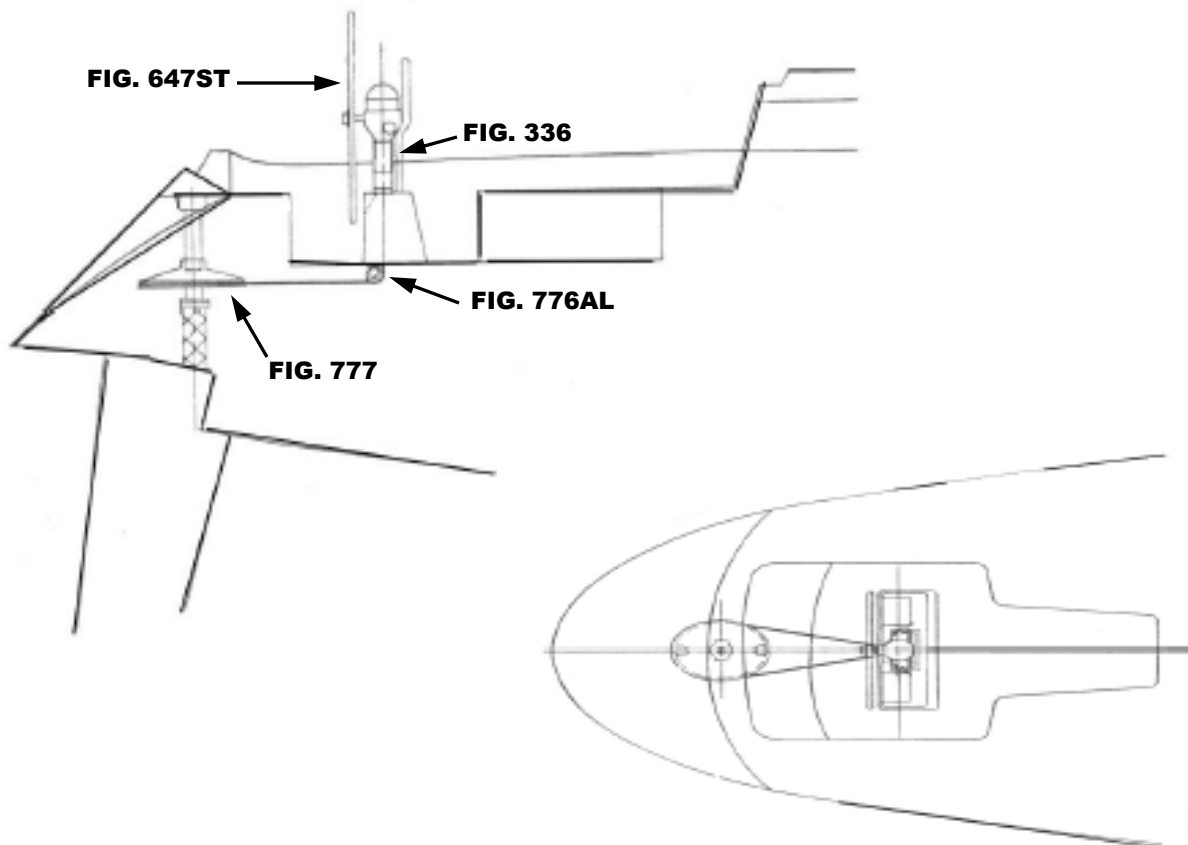




C & C 41 CUSTOM

THIS SCHEMATIC IS INTENDED TO PROVIDE AN OUTLINE FOR DESIGNING YOUR SYSTEM. COMPLETE INSTRUCTIONS FOR INSTALLATION CAN BE FOUND IN OUR "PLANNING & INSTALLATION GUIDE", WHICH CAN BE FOUND ON OUR WEBSITE.

VISIT US ONLINE AT
WWW.EDSONMARINE.COM



STEERING COMPONENTS:

1 FIG. 336-5-211T	CLASSIC PEDESTAL STEERER/TAPERED
1 FIG. 336-SPEC-HEIGHT	SPECIAL HEIGHT PEDESTAL CHARGE
1 FIG. 647ST-44-7	DISHED DESTROYER WHEEL
1 FIG. 77233	<i>CUSTOM</i> CHAIN & WIRE ROPE KIT W/HARDWARE
[was 774-kit]	(1.5FT #50 CHAIN, 11 FT. 1/4" 7X19 305 SS WIRE ROPE)
1 FIG. 776AL-4AL	ADJUSTABLE CROSSED WIRE IDLER
1 FIG. 777-8	RADIAL DRIVE WHEEL
4 FIG. 646-6HEX	PEDESTAL MOUNTING BOLTS
(A FIG. 697 STUFFING BOX/BEARING MAY BE REQUIRED)	