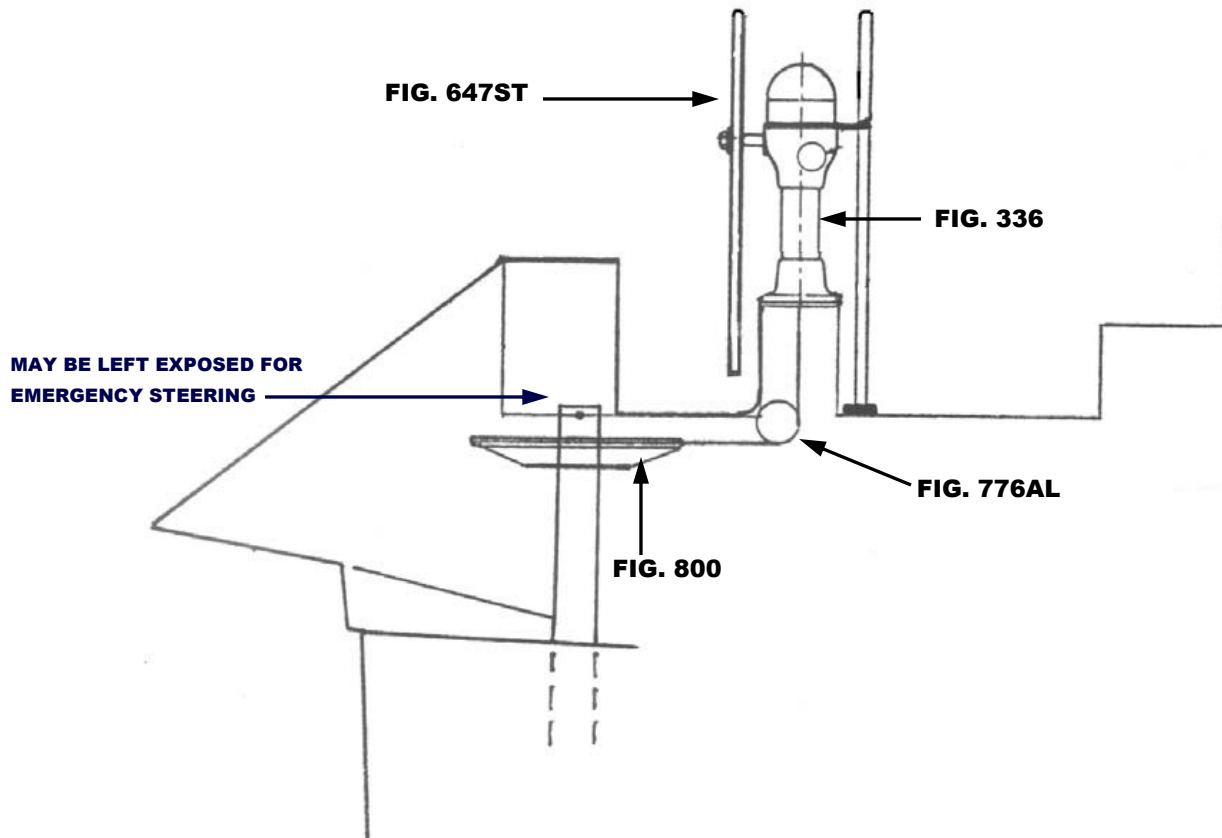




**C & C 44**

**THIS SCHEMATIC IS INTENDED TO PROVIDE AN OUTLINE FOR DESIGNING YOUR SYSTEM. COMPLETE INSTRUCTIONS FOR INSTALLATION CAN BE FOUND IN OUR "PLANNING & INSTALLATION GUIDE", WHICH CAN BE FOUND ON OUR WEBSITE.**

**VISIT US ONLINE AT  
WWW.EDSONMARINE.COM**



C & C 44 (S-1580)

**STEERING COMPONENTS:**

- |                               |   |
|-------------------------------|---|
| <b>1 FIG. 336-5-211T</b>      | <b>CLASSIC PEDESTAL STEERER/TAPERED</b>                     |
| <b>1 FIG. 336-SPEC-HEIGHT</b> | <b>SPECIAL HEIGHT PEDESTAL = 12 1/2"</b>                    |
| <b>1 FIG. 714-4</b>           | <b>NARROW PEDESTAL BASE</b>                                 |
| <b>1 FIG. 647ST-48-7</b>      | <b>DISHED DESTROYER WHEEL</b>                               |
| <b>1 FIG. 77201</b>           | <b>CHAIN &amp; WIRE ROPE KIT W/HARDWARE [was 774-2B2D9]</b> |
|                               | <b>(2FT #50 CHAIN, 9FT 1/4" 7X19 305 SS WIRE ROPE)</b>      |
| <b>1 FIG. 776AL-6AL</b>       | <b>ADJUSTABLE CROSSED WIRE IDLER</b>                        |
| <b>1 FIG 800-12</b>           | <b>RADIAL DRIVE WHEEL</b>                                   |
| <b>4 FIG. 646-4HEX</b>        | <b>PEDESTAL MOUNTING BOLTS</b>                              |

