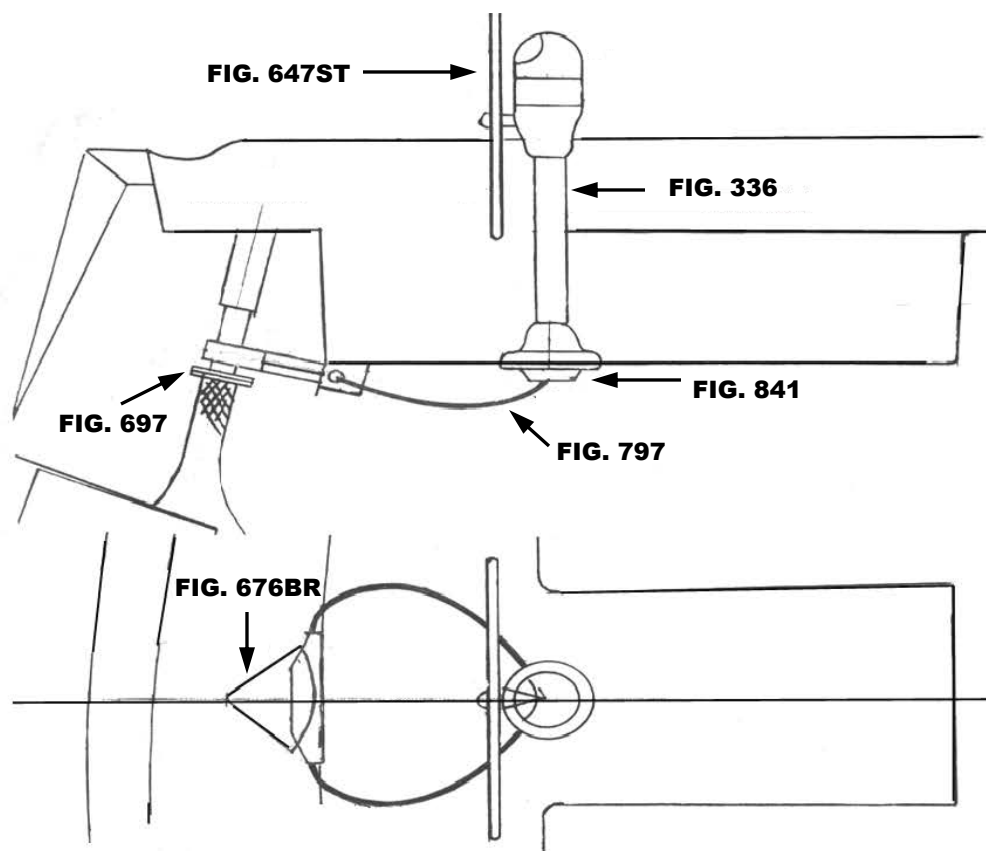


THIS SCHEMATIC IS INTENDED TO PROVIDE AN OUTLINE FOR DESIGNING YOUR SYSTEM. COMPLETE INSTRUCTIONS FOR INSTALLATION CAN BE FOUND IN OUR "PLANNING & INSTALLATION GUIDE", WHICH CAN BE FOUND ON OUR WEBSITE.

VISIT US ONLINE AT
WWW.EDSONMARINE.COM



STEERING COMPONENTS:

- | | |
|--------------------------|---|
| 1 FIG. 336-5-211T | CLASSIC PEDESTAL STEERER/TAPERED |
| 1 FIG. 647ST-32-5 | DISHED DESTROYER WHEEL |
| 1 FIG. 77203 | CHAIN & WIRE ROPE KIT W/HARDWARE [was 774-2B2D13]
<i>(2FT #50 CHAIN, 13FT 1/4" 7X19 305 SS WIRE ROPE)</i> |
| 2 FIG. 797-4 | PULL/PULL CONDUIT W/END FITTINGS |
| 1 FIG. 841-2 | CONDUIT DROP BRACKET |
| 1 FIG. 827-17 | PULL/PULL BRACKET |
| 1 FIG. 676BR-10 | MANGANESE BRONZE QUADRANT |
| 4 FIG. 646-6HEX | PEDESTAL MOUNTING BOLTS |
- (A FIG. 697 STUFFING BOX/BEARING MAY BE REQUIRED)**