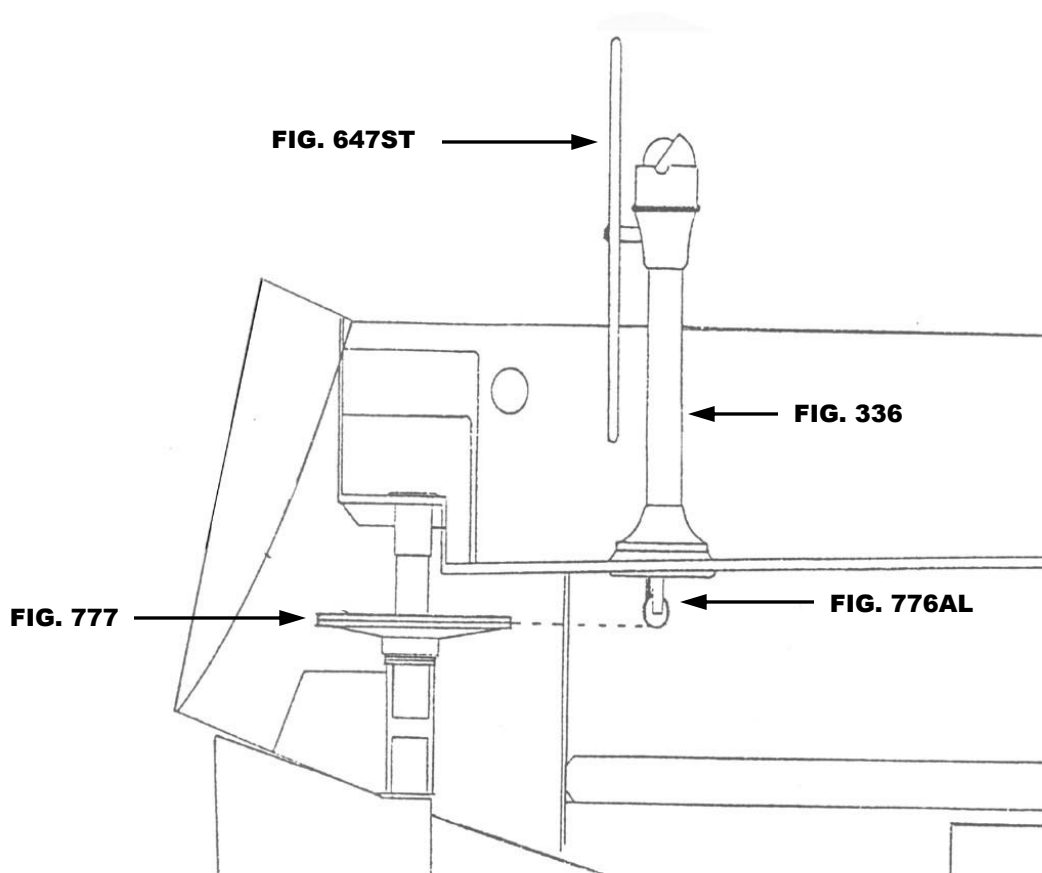


THIS SCHEMATIC IS INTENDED TO PROVIDE AN OUTLINE FOR DESIGNING YOUR SYSTEM. COMPLETE INSTRUCTIONS FOR INSTALLATION CAN BE FOUND IN OUR "PLANNING & INSTALLATION GUIDE", WHICH CAN BE FOUND ON OUR WEBSITE.

**VISIT US ONLINE AT
WWW.EDSONMARINE.COM**



STEERING COMPONENTS:

- | | |
|--|---|
| 1 FIG. 336-5-211T | CLASSIC PEDESTAL STEERER/TAPERED |
| 1 FIG. 647ST-28-5 | DISHED DESTROYER WHEEL |
| 1 FIG. 77207 | CHAIN & WIRE ROPE KIT W/HARDWARE <i>[was 774-2B25D9]</i> |
| | <i>(2.5FT #50 CHAIN, 9FT 1/4" 7X19 305 SS WIRE ROPE)</i> |
| 1 FIG. 776AL-6AL | ADJUSTABLE CROSSED WIRE IDLER |
| 1 FIG. 777-12 | RADIAL DRIVE WHEEL |
| 4 FIG. 646-4HEX | PEDESTAL MOUNTING BOLTS |
| (A FIG. 697 STUFFING BOX/BEARING MAY BE REQUIRED) | |

CALIBER 38 (S-2089)