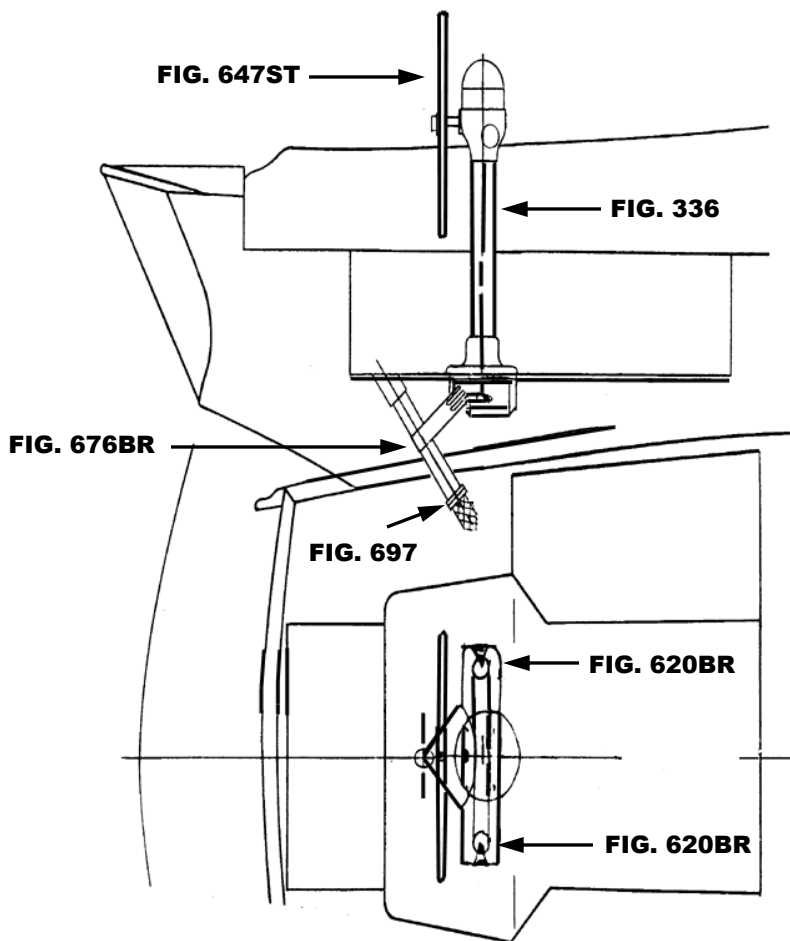


THIS SCHEMATIC IS INTENDED TO PROVIDE AN OUTLINE FOR DESIGNING YOUR SYSTEM. COMPLETE INSTRUCTIONS FOR INSTALLATION CAN BE FOUND IN OUR "PLANNING & INSTALLATION GUIDE", WHICH CAN BE FOUND ON OUR WEBSITE.

VISIT US ONLINE AT
WWW.EDSONMARINE.COM



STEERING COMPONENTS:

- 1 FIG. 336-5-211T
- 1 FIG. 647ST-26-5
- 1 FIG. 77111

- 2 FIG. 620BR-4AL
- 1 FIG. 676BR-10
- 4 FIG. 646-4HEX
- 1 FIG. 697-1.5

- CLASSIC PEDESTAL STEERER/TAPERED
- DISHED DESTROYER WHEEL
- CHAIN & WIRE ROPE KIT W/HARDWARE *[was 774-2S2B9]*
- (2FT. #50 CHAIN, 9FT 3/16" 7X19 305 SS WIRE ROPE)*
- UPRIGHT SINGLE SHEAVE ASSEMBLY
- BRONZE QUADRANT
- PEDESTAL MOUNTING BOLTS
- STUFFING BOX/BEARING

CAPE DORY 31 (S-1266)