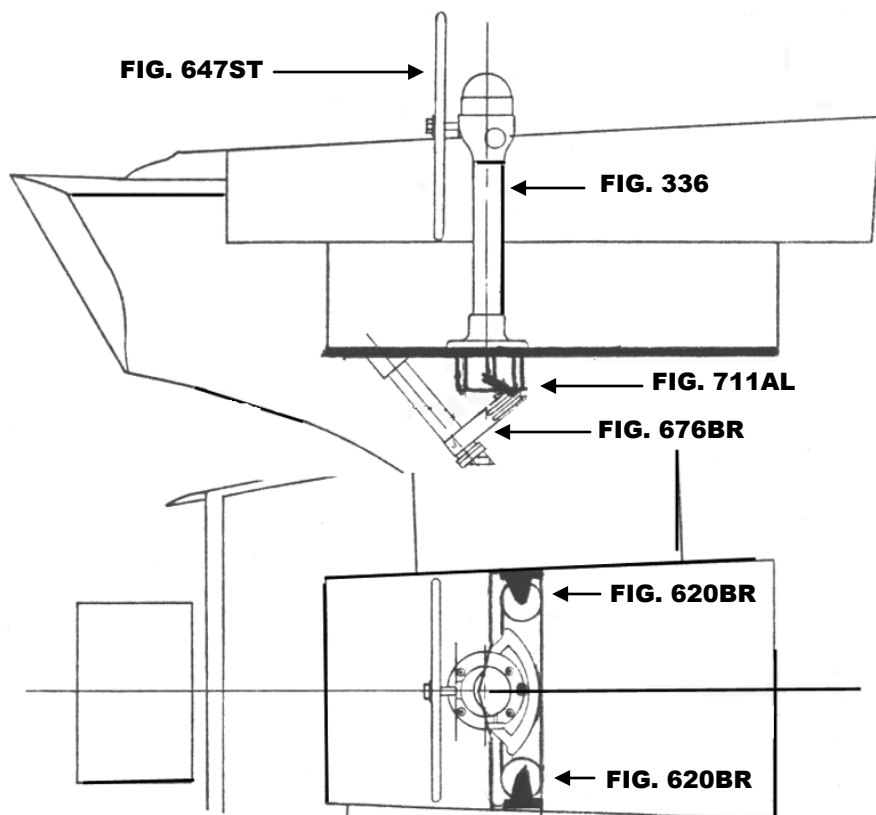




CAPE DORY 36

THIS SCHEMATIC IS INTENDED TO PROVIDE AN OUTLINE FOR DESIGNING YOUR SYSTEM. COMPLETE INSTRUCTIONS FOR INSTALLATION CAN BE FOUND IN OUR "PLANNING & INSTALLATION GUIDE", WHICH CAN BE FOUND ON OUR WEBSITE.

**VISIT US ONLINE AT
WWW.EDSONMARINE.COM**



STEERING COMPONENTS:

- | | |
|--|--|
| <p>1 FIG. 336-5-211T
 1 FIG. 647ST-20-5
 1 FIG. 77103

 1 FIG. 776AL-4AL
 1 FIG. 676BR-10
 4 FIG. 646-4HEX
 (A FIG. 697 STUFFING BOX/BEARING MAY BE REQUIRED)</p> | <p>CLASSIC PEDESTAL STEERER/TAPERED
 DISHED DESTROYER WHEEL
 CHAIN & WIRE ROPE KIT W/HARDWARE [was 774-2S15B9]
 (1.5FT #50 CHAIN, 9FT 3/16" 7X19 305 SS WIRE ROPE)
 ADJUSTABLE CROSSED WIRE IDLER
 MANGANESE BRONZE QUADRANT
 PEDESTAL MOUNTING BOLTS</p> |
|--|--|

CAPE DORY 36 (S-1036-1)

