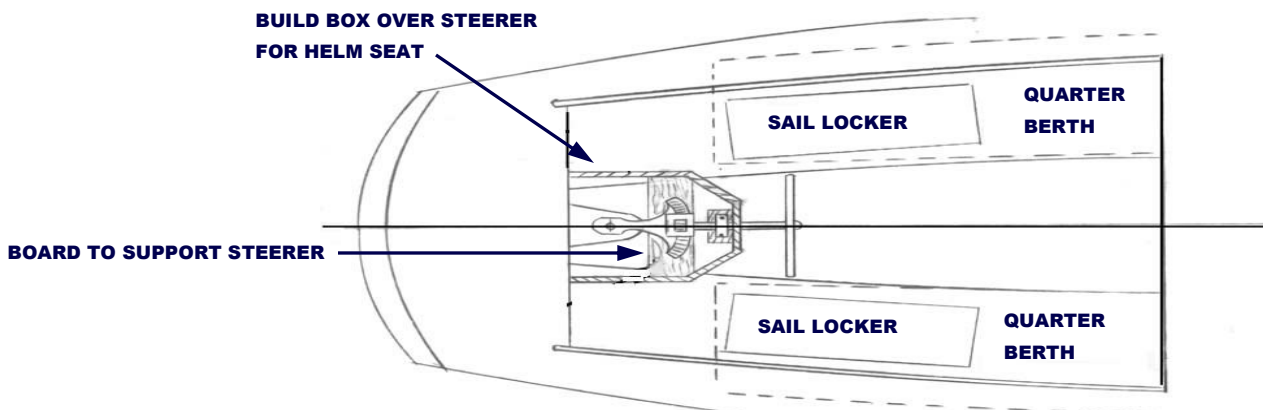
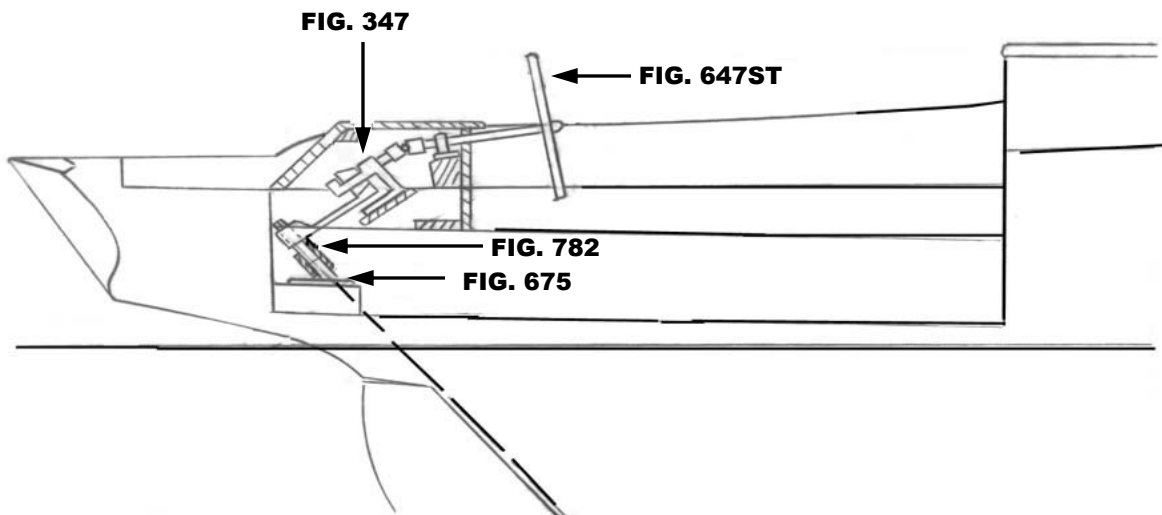


THIS SCHEMATIC IS INTENDED TO PROVIDE AN OUTLINE FOR DESIGNING YOUR SYSTEM. COMPLETE INSTRUCTIONS FOR INSTALLATION CAN BE FOUND IN OUR "PLANNING & INSTALLATION GUIDE", WHICH CAN BE FOUND ON OUR WEBSITE.

VISIT US ONLINE AT
WWW.EDSONMARINE.COM



STEERING COMPONENTS:

- | | |
|-------------------|--------------------------------------|
| 1 FIG. 347-9 | INBOARD RUDDER RACK & PINION STEERER |
| 1 FIG. 645ST-18-5 | DISHED DESTROYER WHEEL/STRAIGHT HUB |
| 1 FIG. 675-1.0 | SHAFT COUPLING |
| 1 FIG. 782-100 | RUDDERPOST EXTENDER |
| 1 FIG. 679-100 | SHAFT UNIVERSAL |

CAPE DORY TYPHOON (S-663)