

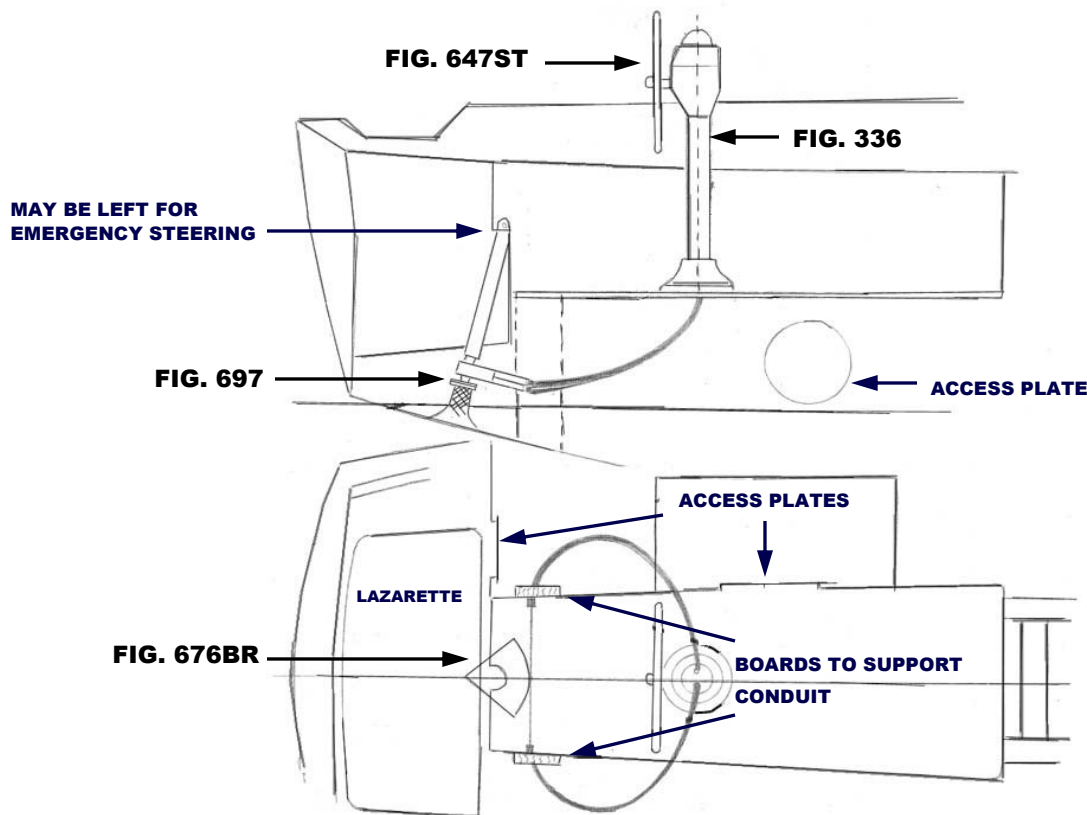


# CATALINA 27 OUTBOARD ENGINE

S-368-7

**THIS SCHEMATIC IS INTENDED TO PROVIDE AN OUTLINE FOR DESIGNING YOUR SYSTEM. COMPLETE INSTRUCTIONS FOR INSTALLATION CAN BE FOUND IN OUR "PLANNING & INSTALLATION GUIDE", WHICH CAN BE FOUND ON OUR WEBSITE.**

**VISIT US ONLINE AT  
[WWW.EDSONMARINE.COM](http://WWW.EDSONMARINE.COM)**



**STEERING COMPONENTS:**

- 1 FIG. 336-5-211T
- 1 FIG. 647ST-22-5
- 1 FIG. 77103
- 2 FIG. 797-5
- 1 FIG. 841-2
- 1 FIG. 676BR-8
- 4 FIG. 646-4HEX
- 1 FIG. 697-1.660

- CLASSIC PEDESTAL STEERER/TAPERED DISHED DESTROYER WHEEL**
- CHAIN & WIRE ROPE KIT W/HARDWARE [was 774-2S15B9] (1.5FT #50 CHAIN, 9FT 3/16" 7X19 305 SS WIRE ROPE)**
- PULL/PULL CONDUIT W/END FITTINGS**
- DROP CONDUIT BRACKET**
- MANGANESE BRONZE QUADRANT**
- PEDESTAL MOUNTING BOLTS**
- STUFFING BOX/BEARING**

