

Steering Data Sheet

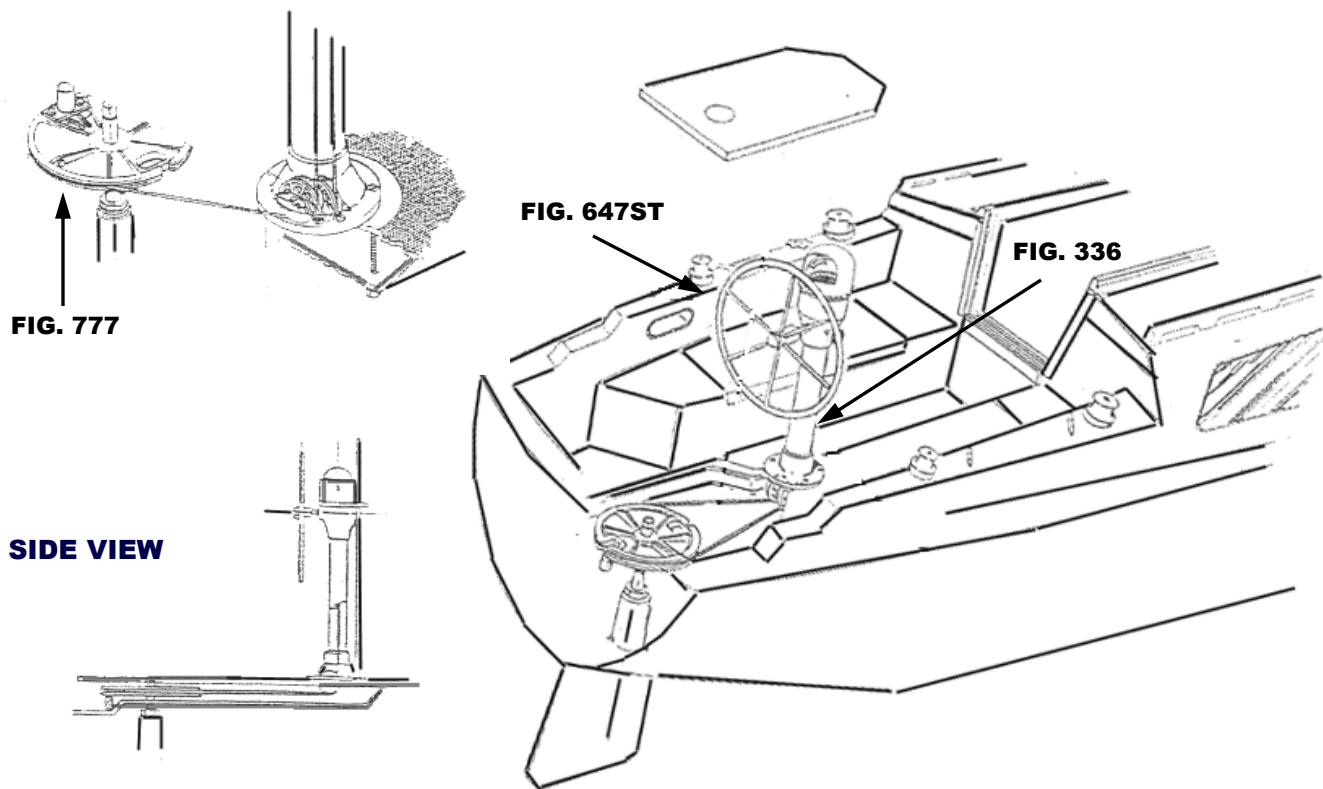


CATALINA 30 (BUILT 1987 & UP)

S-660-9

THIS SCHEMATIC IS INTENDED TO PROVIDE AN OUTLINE FOR DESIGNING YOUR SYSTEM. COMPLETE INSTRUCTIONS FOR INSTALLATION CAN BE FOUND IN OUR "PLANNING & INSTALLATION GUIDE", WHICH CAN BE FOUND ON OUR WEBSITE.

VISIT US ONLINE AT
WWW.EDSONMARINE.COM



STEERING COMPONENTS:

- 1 FIG. 336-5-211T
- 1 FIG. 647ST-28-5
- 1 FIG. 77101

- 1 FIG. 960-A-10168
- 1 FIG. 777-6.5
- 4 FIG. 646-4HEX

- CLASSIC PEDESTAL STEERER/TAPERED DISHED DESTROYER WHEEL
- CHAIN & WIRE ROPE KIT W/HARDWARE *[was 774-2S15B7]*
(1.5FT #50 CHAIN, 7FT 3/16" 7X19 305 SS WIRE ROPE)
- CUSTOM ALUMINUM IDLER
- RADIAL DRIVE WHEEL
- PEDESTAL MOUNTING BOLTS



146 DUCHAINE BLVD, NEW BEDFORD, MA 02745-1292 Tel: 508-995-9711 Fax: 508-995-5021 FREE FAX: 800-338-5021

CATALINA 30 (BUILT 1987 & UP) (S-660-9)