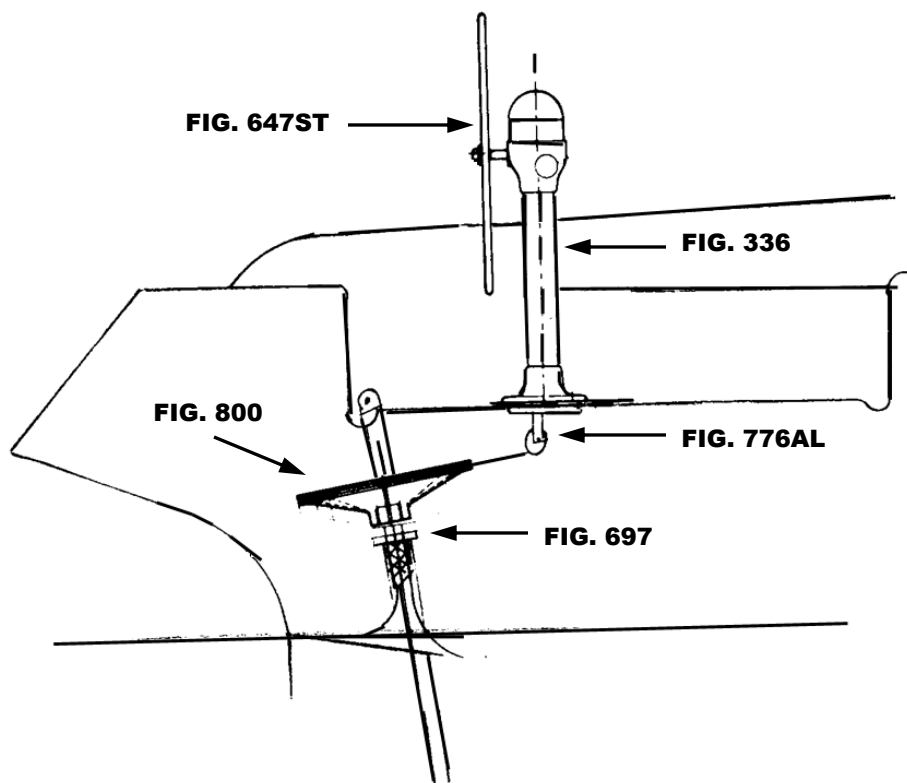
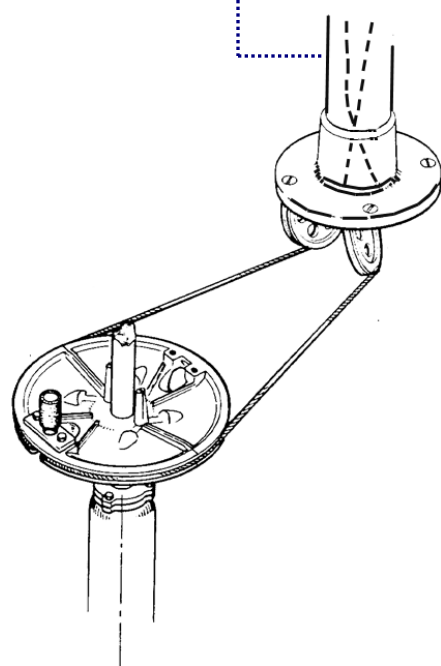


**THIS SCHEMATIC IS INTENDED TO PROVIDE AN OUTLINE FOR DESIGNING YOUR SYSTEM. COMPLETE INSTRUCTIONS FOR INSTALLATION CAN BE FOUND IN OUR "PLANNING & INSTALLATION GUIDE", WHICH CAN BE FOUND ON OUR WEBSITE.**

**VISIT US ONLINE AT  
WWW.EDSONMARINE.COM**



**NOTE:**  
**WIRES MUST BE  
CROSSED WITHIN  
PEDESTAL FOR  
PROPER STEERING  
DIRECTION**



**STEERING COMPONENTS:**

- 1 FIG. 336-5-211T
- 1 FIG. 647ST-28-5
- 1 FIG. 77103

- 1 FIG. 776AL-4AL
- 1 FIG. 800-8
- 4 FIG. 646-4HEX

(A FIG. 697 STUFFING BOX/BEARING MAY BE REQUIRED)

- CLASSIC PEDESTAL STEERER/TAPERED
- DISHED DESTROYER WHEEL
- CHAIN & WIRE ROPE KIT W/HARDWARE *[was 774-2S15B9]*
- (1.5FT #50 CHAIN, 9FT 3/16" 7X19 305 SS WIRE ROPE)*
- ADJUSTABLE CROSSED WIRE IDLER
- RADIAL DRIVE WHEEL
- PEDESTAL MOUNTING BOLTS