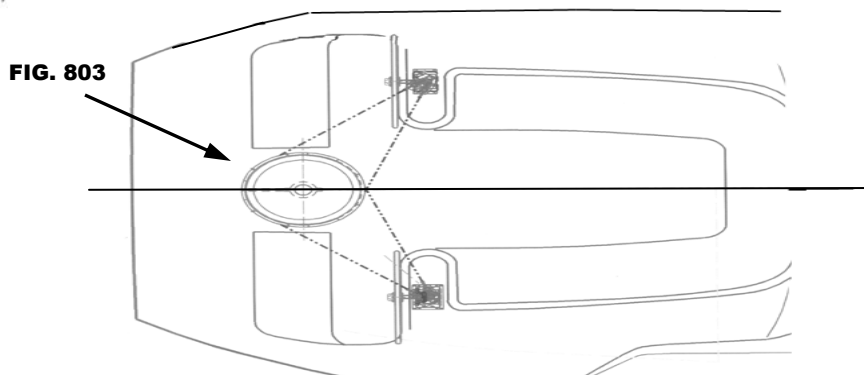
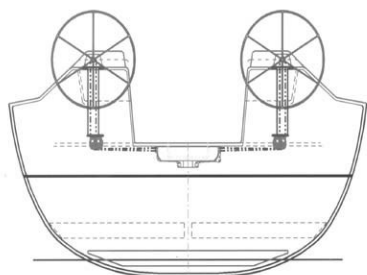
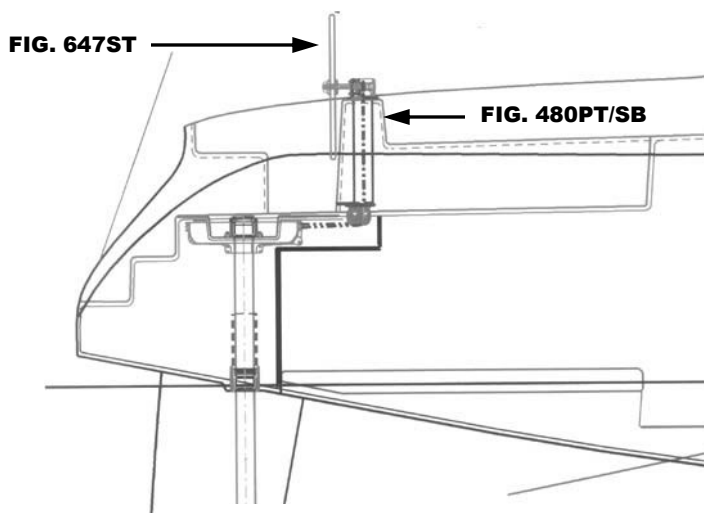


THIS SCHEMATIC IS INTENDED TO PROVIDE AN OUTLINE FOR DESIGNING YOUR SYSTEM. COMPLETE INSTRUCTIONS FOR INSTALLATION CAN BE FOUND IN OUR "PLANNING & INSTALLATION GUIDE", WHICH CAN BE FOUND ON OUR WEBSITE.

**VISIT US ONLINE AT
WWW.EDSONMARINE.COM**



STEERING COMPONENTS:

- 1 FIG. 480PT-776-6AL
- 1 FIG. 480SB-776-6AL
- 2 FIG. 647ST-32-5
- 2 FIG. 77201

- 1 FIG. 803-12
- 1 FIG. 862-WIRE
- 1 FIG. 960-A-1986
- 8 FIG. 665ST-250

- STEERER/PORT SIDE
- STEERER/STARBOARD SIDE
- DISHED DESTROYER WHEEL
- CHAIN & WIRE ROPE KIT W/HARDWARE *{was 774-2B2D9}*
- (2FT. #50 CHAIN, 9FT 1/4" 7X19 305 SS WIRE ROPE)*
- CUSTOM RADIAL DRIVE WHEEL
- RUDDERSTOP, WIRE
- BUNGY STOP ABSORBER
- WIRE ROPE CLAMPS