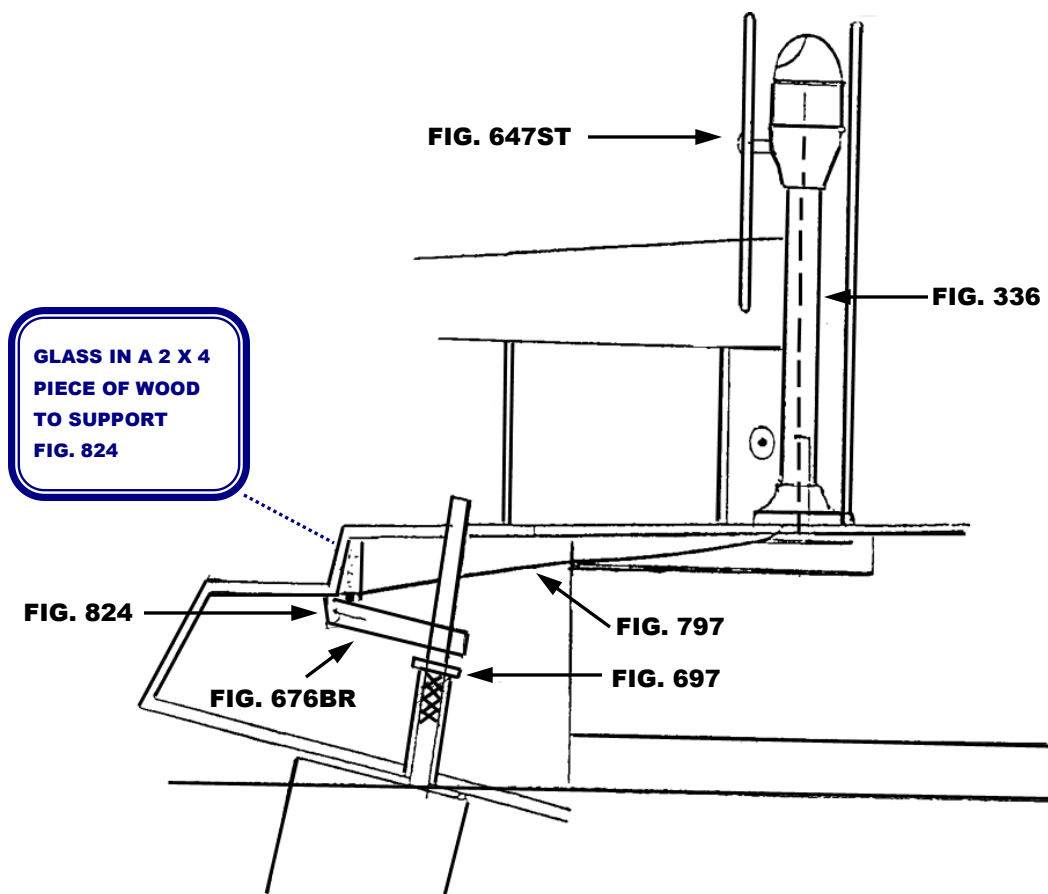


THIS SCHEMATIC IS INTENDED TO PROVIDE AN OUTLINE FOR DESIGNING YOUR SYSTEM. COMPLETE INSTRUCTIONS FOR INSTALLATION CAN BE FOUND IN OUR "PLANNING & INSTALLATION GUIDE", WHICH CAN BE FOUND ON OUR WEBSITE.

VISIT US ONLINE AT
WWW.EDSONMARINE.COM



STEERING COMPONENTS:

- | | |
|-------------------|--|
| 1 FIG. 336-5-211T | CLASSIC PEDESTAL STEERER/TAPERED |
| 1 FIG. 647ST-24-5 | DISHED DESTROYER WHEEL |
| 1 FIG. 77103 | CHAIN & WIRE ROPE KIT W/HARDWARE [was 774-2S15B9] |
| | <i>(1.5FT #50 CHAIN, 9FT 3/16" 7X19 305 SS WIRE ROPE)</i> |
| 1 FIG. 868-2 | INTERNAL CONDUIT BRACKET |
| 2 FIG. 797-5 | PULL/PULL CONDUIT W/END FITTINGS |
| 1 FIG. 824-12 | PULL/PULL BRACKET |
| 1 FIG. 676BR-8 | MANGANESE BRONZE QUADRANT |
| 4 FIG. 646-4HEX | PEDESTAL MOUNTING BOLTS |
| 1 FIG. 697-1.660 | STUFFING BOX/BEARING (MUST SPECIFY SIZE) |