

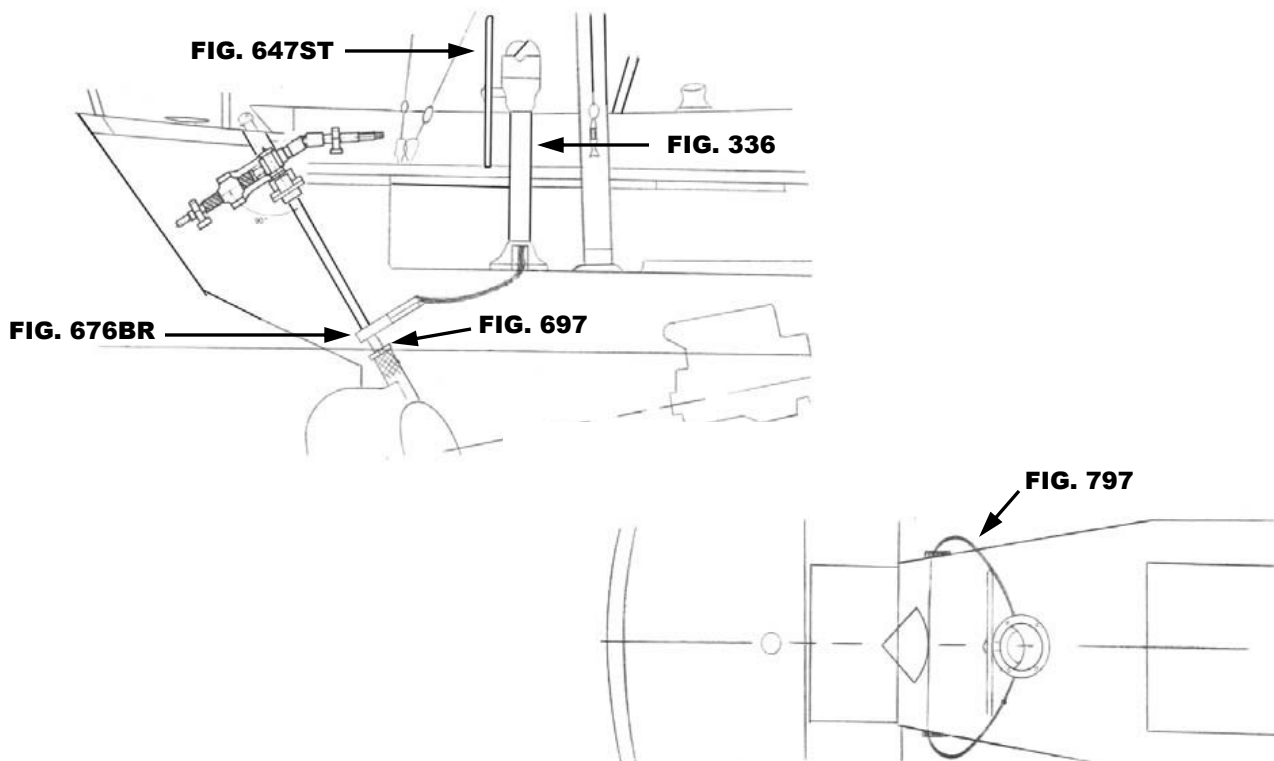


**CHEOY LEE
OFFSHORE 31**

S-474-2

THIS SCHEMATIC IS INTENDED TO PROVIDE AN OUTLINE FOR DESIGNING YOUR SYSTEM. COMPLETE INSTRUCTIONS FOR INSTALLATION CAN BE FOUND IN OUR "PLANNING & INSTALLATION GUIDE", WHICH CAN BE FOUND ON OUR WEBSITE.

**VISIT US ONLINE AT
WWW.EDSONMARINE.COM**



STEERING COMPONENTS:

- | | |
|---|---|
| <p>1 FIG. 336-5-211T
1 FIG. 647ST-24-5
1 FIG. 77111

1 FIG. 824-12
2 FIG. 797-5
1 FIG. 676BR-10
4 FIG. 646-4HEX
(A FIG. 697 STUFFING BOX/BEARING MAY BE REQUIRED)</p> | <p>CLASSIC PEDESTAL STEERER/TAPERED
DISHED DESTROYER WHEEL
CHAIN & WIRE ROPE KIT W/HARDWARE [was 774-2S2B9]
(2FT #50 CHAIN, 9FT 3/16" 7X19 305 SS WIRE ROPE)
INTERNAL PULL/PULL BRACKET
PULL/PULL CONDUIT W/END FITTINGS
MANGANESE BRONZE QUADRANT
PEDESTAL MOUNTING BOLTS</p> |
|---|---|