

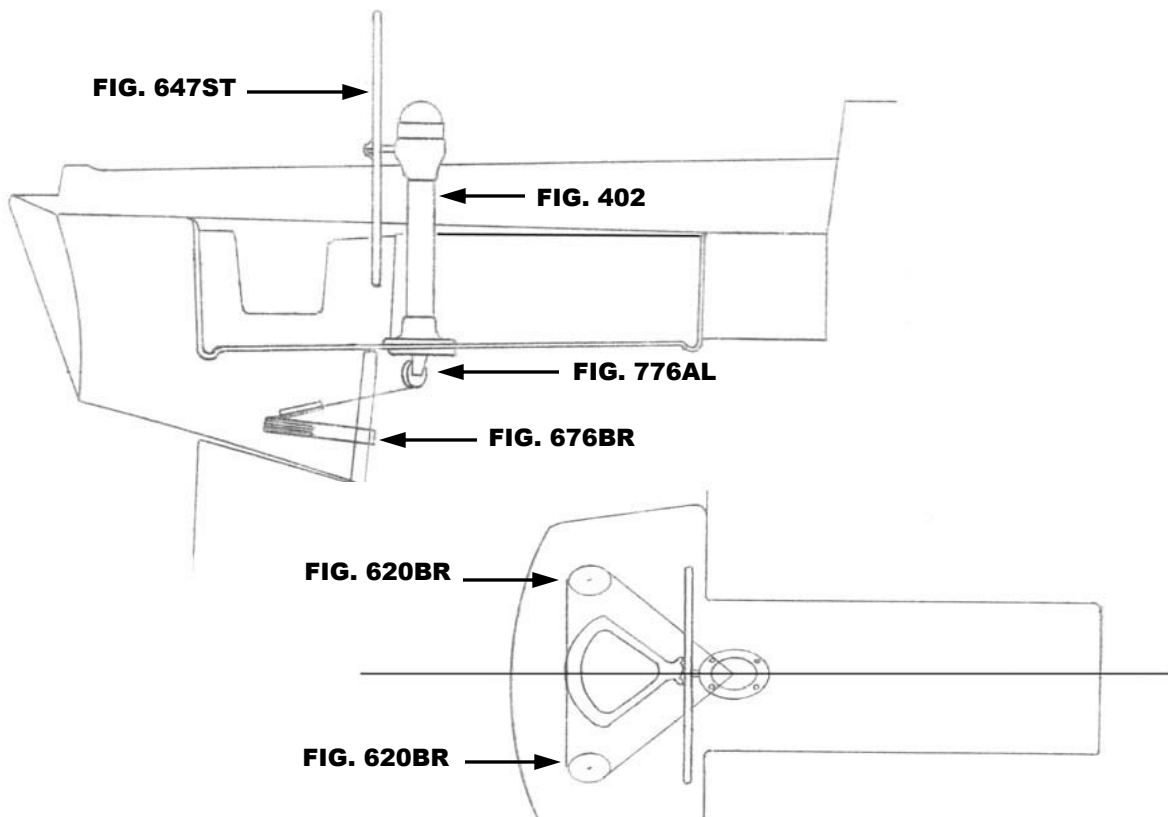


CHEOY LEE PEDRICK 41

S-1194

THIS SCHEMATIC IS INTENDED TO PROVIDE AN OUTLINE FOR DESIGNING YOUR SYSTEM. COMPLETE INSTRUCTIONS FOR INSTALLATION CAN BE FOUND IN OUR "PLANNING & INSTALLATION GUIDE", WHICH CAN BE FOUND ON OUR WEBSITE.

**VISIT US ONLINE AT
WWW.EDSONMARINE.COM**



STEERING COMPONENTS:

- 1 FIG. 402-6-211T
- 1 FIG. 647ST-40-5
- 1 FIG. 77201
- 1 FIG. 776AL-6AL
- 2 FIG. 620BR-6AL
- 1 FIG. 676BR-12
- 4 FIG. 646-4HEX

- DELUXE PEDESTAL STEERER WITH BRAKE/TAPERED DISHED DESTROYER WHEEL**
- CHAIN & WIRE ROPE KIT W/HARDWARE *[was 774-2B2D9]***
(2FT #50 CHAIN, 9FT 1/4" 7X19 305 SS WIRE ROPE)
- ADJUSTABLE CROSSED WIRE IDLER**
- UPRIGHT SINGLE SHEAVE ASSEMBLY**
- MANGANESE BRONZE QUADRANT**
- PEDESTAL MOUNTING BOLTS**

CHEOY LEE PEDRICK 41 (S-1194)

