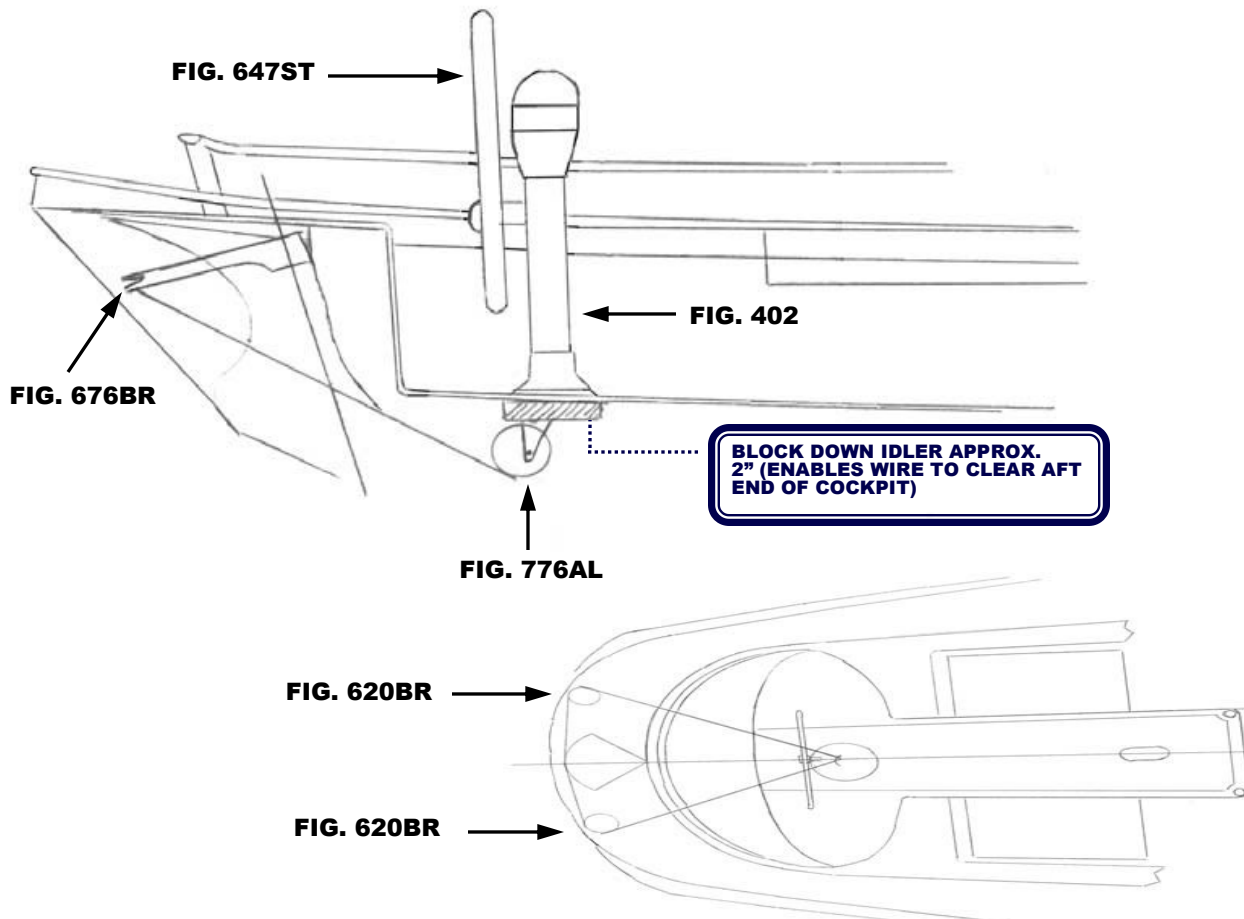


# Steering Data Sheet



**THIS SCHEMATIC IS INTENDED TO PROVIDE AN OUTLINE FOR DESIGNING YOUR SYSTEM. COMPLETE INSTRUCTIONS FOR INSTALLATION CAN BE FOUND IN OUR "PLANNING & INSTALLATION GUIDE", WHICH CAN BE FOUND ON OUR WEBSITE.**

**VISIT US ONLINE AT  
[WWW.EDSONMARINE.COM](http://WWW.EDSONMARINE.COM)**



## **STEERING COMPONENTS:**

**1 FIG. 402-6-215T  
1 FIG. 647ST-36-5  
1 FIG. 77209**

**1 FIG. 776AL-6AL  
2 FIG. 620BR-6AL  
1 FIG. 676BR-16  
4 FIG. 646-4HEX**

**DELUXE PEDESTAL STEERER WITH BRAKE/TAPERED  
DISHED DESTROYER WHEEL  
CHAIN & WIRE ROPE KIT W/HARDWARE [was 774-2B25D13]  
(2.5FT #50 CHAIN, 13FT 1/4" 7X19 305 SS WIRE ROPE)  
ADJUSTABLE CROSSED WIRE IDLER  
UPRIGHT SHINGLE SHEAVE ASSEMBLY  
MANGANESE BRONZE QUADRANT  
PEDESTAL MOUNTING BOLTS**

