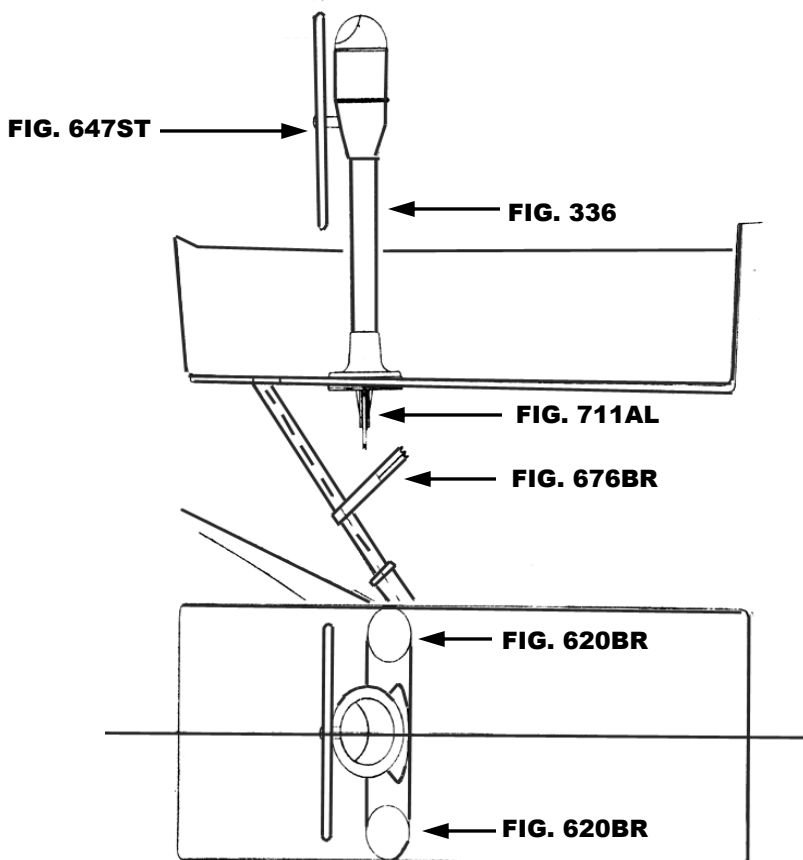


**THIS SCHEMATIC IS INTENDED TO PROVIDE AN OUTLINE FOR DESIGNING YOUR SYSTEM. COMPLETE INSTRUCTIONS FOR INSTALLATION CAN BE FOUND IN OUR "PLANNING & INSTALLATION GUIDE", WHICH CAN BE FOUND ON OUR WEBSITE.**

**VISIT US ONLINE AT  
WWW.EDSONMARINE.COM**



**STEERING COMPONENTS:**

- |  |   |
|--|---|
| <b>1 FIG. 336-5-211T</b>                                 | <b>CLASSIC PEDESTAL STEERER/TAPERED</b>                     |
| <b>1 FIG. 647ST-24-5</b>                                 | <b>DISHED DESTROYER WHEEL</b>                               |
| <b>1 FIG. 77111</b>                                      | <b>CHAIN &amp; WIRE ROPE KIT W/HARDWARE [was 774-2S2B9]</b> |
|  | <i>(2FT #50 CHAIN, 9FT 3/16" 7X19 305 SS WIRE ROPE)</i>     |
| <b>1 FIG. 711AL-6AL</b>                                  | <b>ADJUSTABLE IDLER</b>                                     |
| <b>2 FIG. 620BR-6AL</b>                                  | <b>UPRIGHT SINGLE SHEAVE ASSEMBLY</b>                       |
| <b>1 FIG. 676BR-10</b>                                   | <b>MANGANESE BRONZE QUADRANT</b>                            |
| <b>4 FIG. 646-4HEX</b>                                   | <b>PEDESTAL MOUNTING BOLTS</b>                              |
| <b>(A FIG. 697 STUFFING BOX/BEARING MAY BE REQUIRED)</b> |   |

CLASSIC 37 (S-178-1)