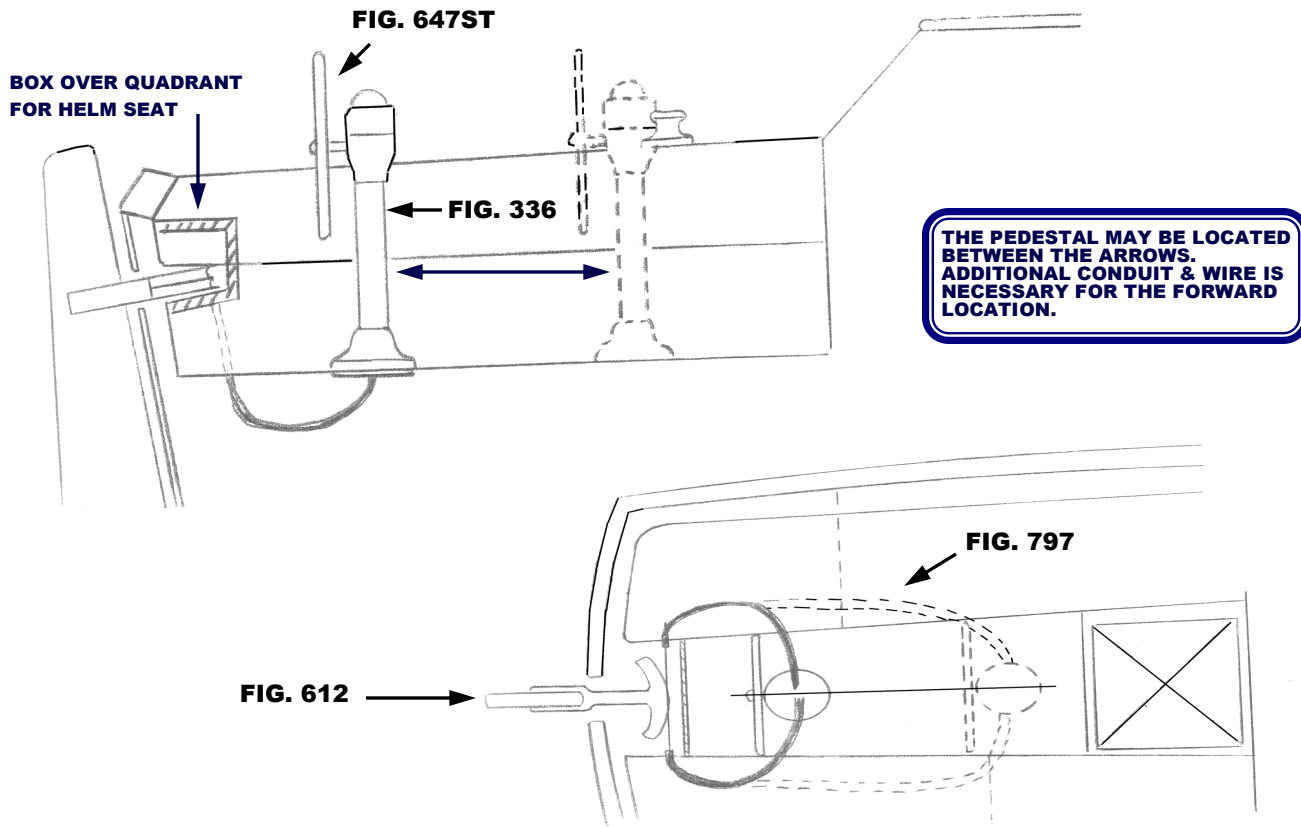


THIS SCHEMATIC IS INTENDED TO PROVIDE AN OUTLINE FOR DESIGNING YOUR SYSTEM. COMPLETE INSTRUCTIONS FOR INSTALLATION CAN BE FOUND IN OUR "PLANNING & INSTALLATION GUIDE", WHICH CAN BE FOUND ON OUR WEBSITE.

**VISIT US ONLINE AT
WWW.EDSONMARINE.COM**



STEERING COMPONENTS:

- 1 FIG. 336-5-211T
- 1 FIG. 647ST-20-5
- 1 FIG. 77111
- 1 FIG. 841-2
- 2 FIG. 797-5
- 1 FIG. 612-1175
- 4 FIG. 646-4HEX

- CLASSIC PEDESTAL STEERER/TAPERED DISHED DESTROYER WHEEL**
- CHAIN & WIRE ROPE KIT W/HARDWARE** *[was 774-2S2B9]*
(2FT #50 CHAIN, 9FT 3/16" 7X19 305 SS WIRE ROPE)
- CONDUIT DROP BRACKET**
- PULL/PULL CONDUIT W/END FITTINGS**
- OUTBOARD RUDDER QUADRANT**
- PEDESTAL MOUNTING BOLTS**

CLIPPER 30 (S-658-S)