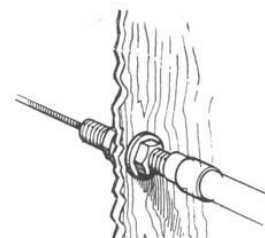
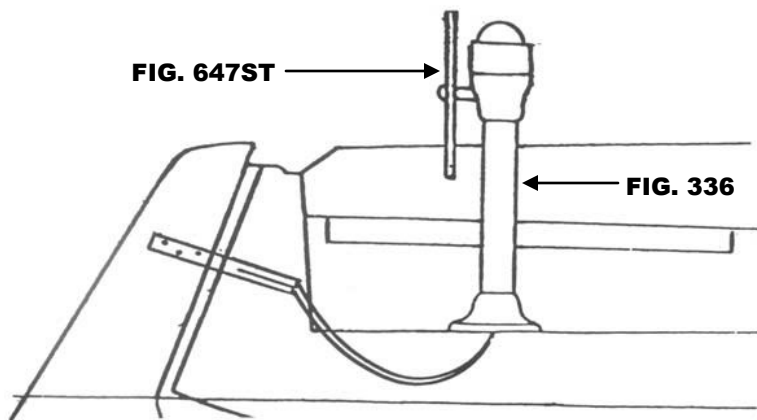


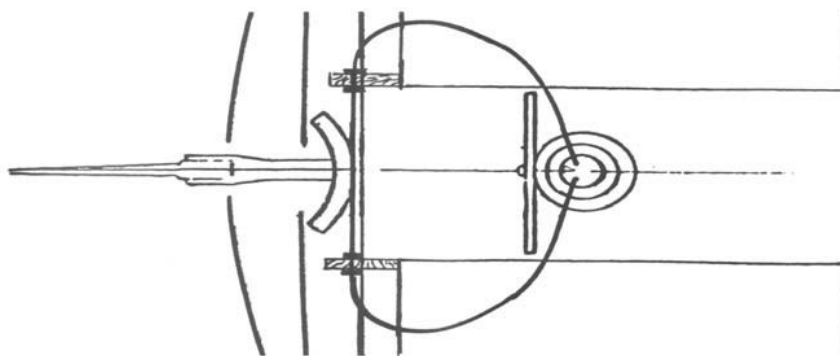


THIS SCHEMATIC IS INTENDED TO PROVIDE AN OUTLINE FOR DESIGNING YOUR SYSTEM. COMPLETE INSTRUCTIONS FOR INSTALLATION CAN BE FOUND IN OUR "PLANNING & INSTALLATION GUIDE", WHICH CAN BE FOUND ON OUR WEBSITE.

VISIT US ONLINE AT
WWW.EDSONMARINE.COM



DETAILS OF CABLE FASTENED TO BULKHEAD



STEERING COMPONENTS:

1 FIG. 332-C-250

TRANSOM HUNG RUDDER STEERING SYSTEM

System Includes:

- 1 fig. 336-5-211 Classic Pedestal Steerer
- 1 fig. 77230 Chain & Wire Rope Assembly
[was 775-kit size: 2S15B11]
- 1 fig. 868-2 Internal Conduit Bracket
- 1 fig. 329-48 Tiller Arm Assembly
- 2 fig. 797-6 Pull/Pull Conduit Assembly
- 4 fig. 646-4HEX Pedestal Mounting Bolt

- 4 fig. 665ST-187 Wire Rope Clamps
- 1 fig. 960-B-465 Rudderstop Plate
- 1 fig. 960-A-2087 Takeup Eye Pivot
- 1 fig. 960-B-444 Transom Face Plate
- 1 fig. 960-B-446 Transom Boot
- 1 fig. 824-24 Transom Conduit Bracket Assy.
- 2 fig. 618-0-250 Wire Takeup Eye

1 FIG. 647ST-24-5

DISHED DESTROYER WHEEL

