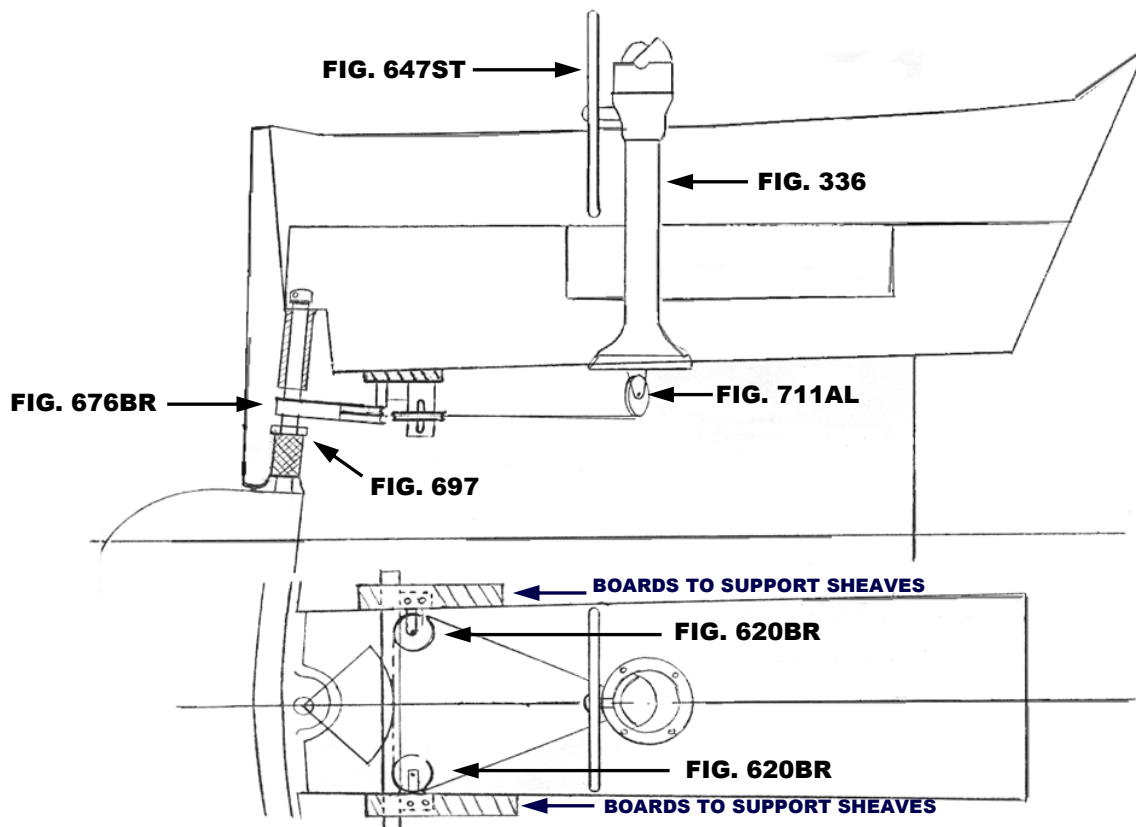




COLUMBIA 30

THIS SCHEMATIC IS INTENDED TO PROVIDE AN OUTLINE FOR DESIGNING YOUR SYSTEM. COMPLETE INSTRUCTIONS FOR INSTALLATION CAN BE FOUND IN OUR "PLANNING & INSTALLATION GUIDE", WHICH CAN BE FOUND ON OUR WEBSITE.

VISIT US ONLINE AT
WWW.EDSONMARINE.COM



STEERING COMPONENTS:

- | | |
|---|---|
| <p>1 FIG. 336-5-211T
1 FIG. 647ST-22-5
1 FIG. 77103

1 FIG. 711AL-4AL
2 FIG. 620BR-4AL
1 FIG. 676BR-8
4 FIG. 646-4HEX
(A FIG. 697 STUFFING BOX/BEARING MAY BE REQUIRED)</p> | <p>CLASSIC PEDESTAL STEERER/TAPERED
DISHED DESTROYER WHEEL
CHAIN & WIRE ROPE KIT W/HARDWARE <i>{was 774-2S15B9}</i>
(1.5FT #50 CHAIN, 9FT 3/16" 7X19 305 SS WIRE ROPE)
ADJUSTABLE IDLER
UPRIGHT SINGLE SHEAVE ASSEMBLY
MANGANESE BRONZE QUADRANT
PEDESTAL MOUNTING BOLTS</p> |
|---|---|

