

Steering Data Sheet

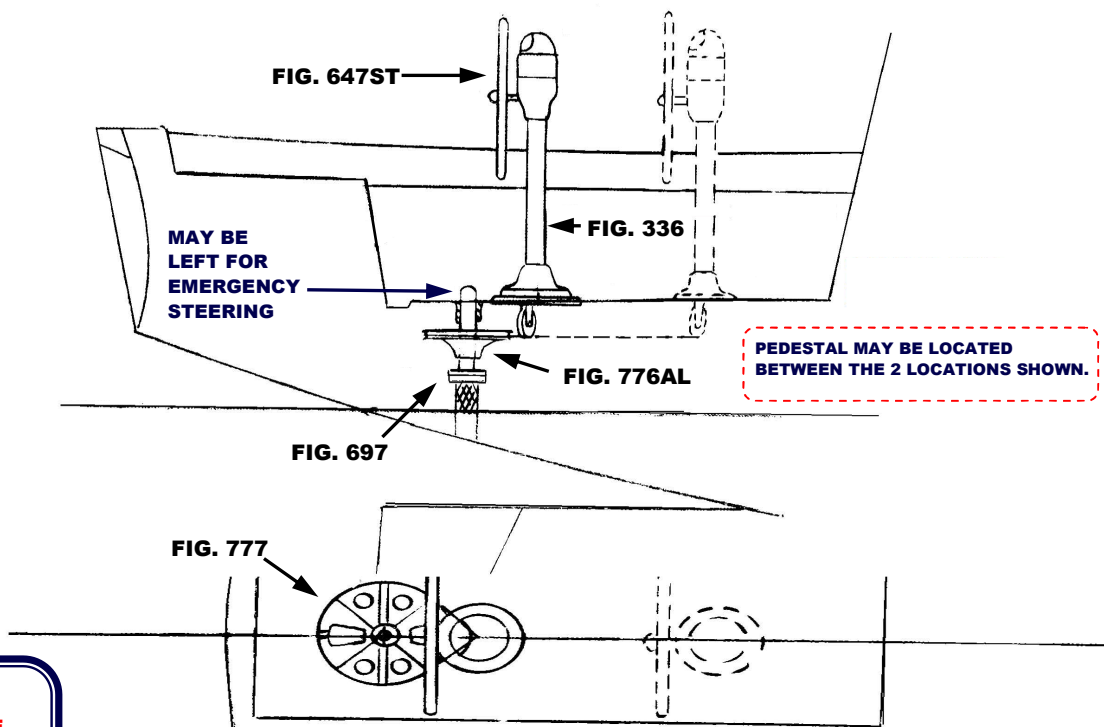


S-261-4

COLUMBIA 36

THIS SCHEMATIC IS INTENDED TO PROVIDE AN OUTLINE FOR DESIGNING YOUR SYSTEM. COMPLETE INSTRUCTIONS FOR INSTALLATION CAN BE FOUND IN OUR "PLANNING & INSTALLATION GUIDE", WHICH CAN BE FOUND ON OUR WEBSITE.

VISIT US ONLINE AT
WWW.EDSONMARINE.COM



NOTE:

WIRES MUST BE
CROSSED WITHIN
PEDESTAL FOR
PROPER STEERING
DIRECTION

STEERING COMPONENTS:

1 FIG. 336-5-211T
1 FIG. 647ST-24-5
1 FIG. 77111

1 FIG. 776AL-4AL
1 FIG. 777-10
4 FIG. 646-4HEX

(A FIG. 697 STUFFING BOX/BEARING MAY BE REQUIRED)

CLASSIC PEDESTAL STEERER/TAPERED
DISHED DESTROYER WHEEL
CHAIN & WIRE ROPE KIT W/HARDWARE [was 774-2S2B9]
(2FT #50 CHAIN, 9FT 3/16" 7X19 305 SS WIRE ROPE)
ADJUSTABLE CROSSED WIRE IDLER
RADIAL DRIVE WHEEL
PEDESTAL MOUNTING BOLTS



146 DUCHAINE BLVD, NEW BEDFORD, MA 02745-1292 Tel: 508-995-9711 Fax: 508-995-5021 FREE FAX: 800-338-5021

COLUMBIA 36 (S-261-4)