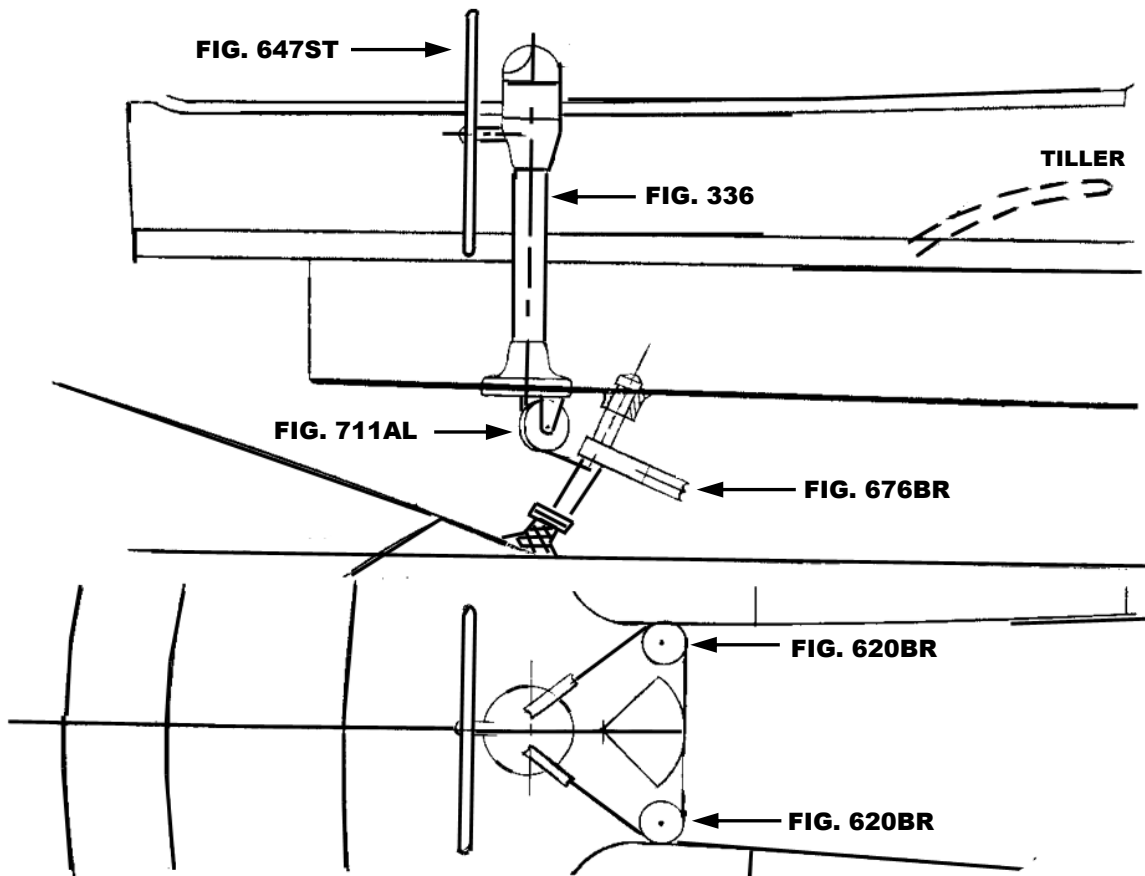


**THIS SCHEMATIC IS INTENDED TO PROVIDE AN OUTLINE FOR DESIGNING YOUR SYSTEM. COMPLETE INSTRUCTIONS FOR INSTALLATION CAN BE FOUND IN OUR "PLANNING & INSTALLATION GUIDE", WHICH CAN BE FOUND ON OUR WEBSITE.**

**VISIT US ONLINE AT  
WWW.EDSONMARINE.COM**



**STEERING COMPONENTS:**

- 1 FIG. 336-5-211T
- 1 FIG. 647ST-28-5
- 1 FIG. 77207

- 1 FIG. 711AL-6AL
- 2 fig. 620BR-6AL
- 1 FIG. 676BR-16
- 4 FIG. 646-4HEX

(A FIG. 697 STUFFING BOX/BEARING MAY BE REQUIRED)

- CLASSIC PEDESTAL STEERER/TAPERED DISHED DESTROYER WHEEL**
- CHAIN & WIRE ROPE KIT W/HARDWARE [was 774-2B25D9] (2.5FT #50 CHAIN, 9FT 1/4" 7X19 305 SS WIRE ROPE)**
- ADJUSTABLE IDLER**
- UPRIGHT SINGLE SHEAVE ASSEMBLY**
- MANGANESE BRONZE QUADRANT**
- PEDESTAL MOUNTING BOLTS**