

# Steering Data Sheet

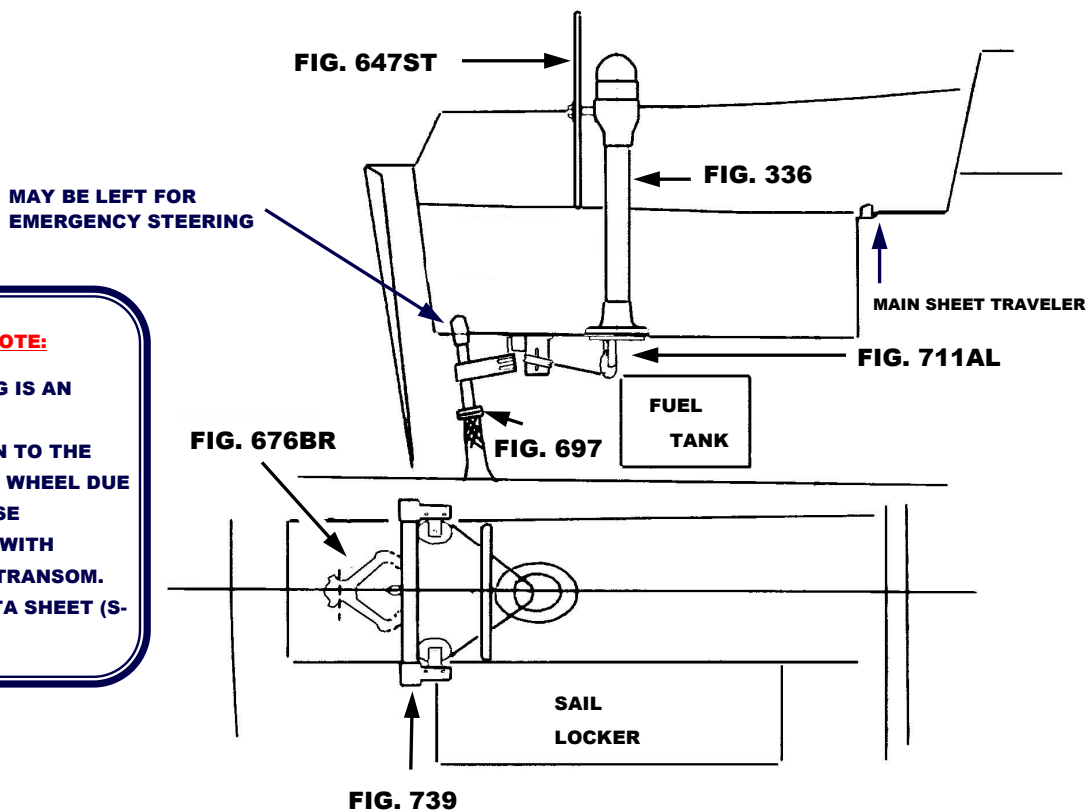


S-847-3

## COLUMBIA 8.3 (27')

**THIS SCHEMATIC IS INTENDED TO PROVIDE AN OUTLINE FOR DESIGNING YOUR SYSTEM. COMPLETE INSTRUCTIONS FOR INSTALLATION CAN BE FOUND IN OUR "PLANNING & INSTALLATION GUIDE", WHICH CAN BE FOUND ON OUR WEBSITE.**

**VISIT US ONLINE AT  
WWW.EDSONMARINE.COM**



**PLEASE NOTE:**  
THIS DRAWING IS AN ALTERNATIVE INSTALLATION TO THE RADIAL DRIVE WHEEL DUE TO VERY CLOSE TOLERANCES WITH SCUPPERS & TRANSOM. SEE ALSO DATA SHEET (S-847-2)

**STEERING COMPONENTS:**

- |  |   |
|--|---|
| 1 FIG. 336-5-211T  | <b>CLASSIC PEDESTAL STEERER/TAPERED</b>   |
| 1 FIG. 647ST-24-5  | <b>DISHED DESTROYER WHEEL</b>   |
| 1 FIG. 77103   | <b>CHAIN &amp; WIRE ROPE KIT W/HARDWARE [was 774-2S15B9]</b><br><i>(1.5FT #50 CHAIN, 9FT 3/16" 7X19 305 SS WIRE ROPE)</i> |
| 1 FIG. 711AL-4AL   | <b>ADJUSTABLE IDLER</b>   |
| 1 FIG. 739-A-26  | <b>SHEAVE BRACKET ASSEMBLY</b>  |
| 1 FIG. 676BR-8   | <b>MANGANESE BRONZE QUADRANT</b>  |
| 4 FIG. 646-4HEX  | <b>PEDESTAL MOUNTING BOLTS</b>  |
| <b>(A FIG. 697 STUFFING BOX/BEARING MAY BE REQUIRED)</b> |   |

COLUMBIA 8.3 (27') (S-847-3)

