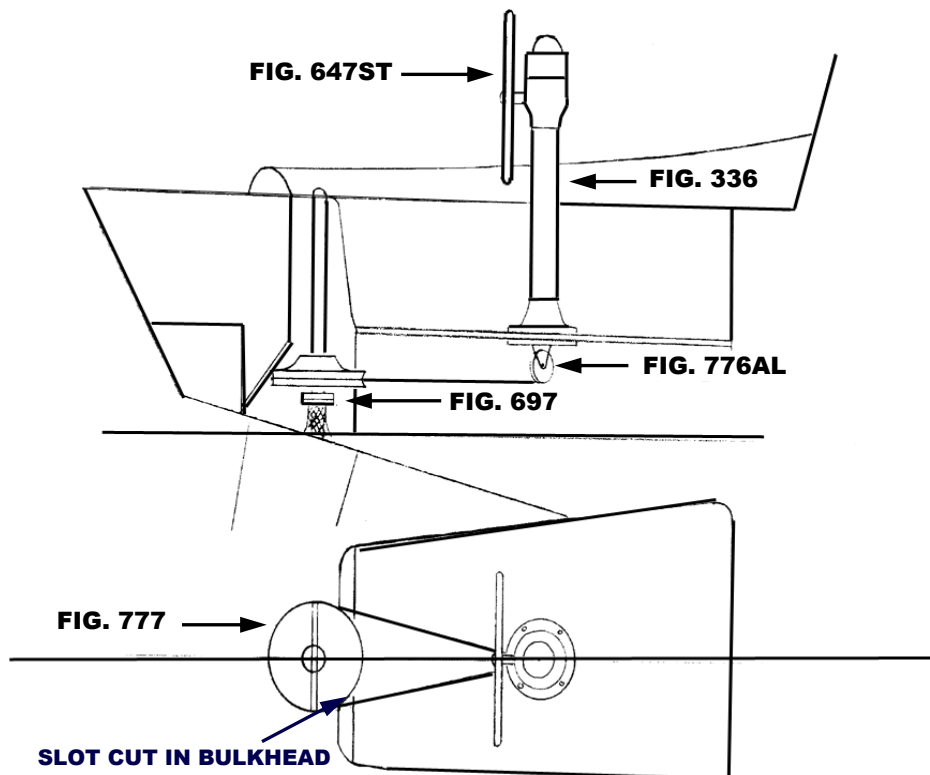




CORONADO 25

THIS SCHEMATIC IS INTENDED TO PROVIDE AN OUTLINE FOR DESIGNING YOUR SYSTEM. COMPLETE INSTRUCTIONS FOR INSTALLATION CAN BE FOUND IN OUR "PLANNING & INSTALLATION GUIDE", WHICH CAN BE FOUND ON OUR WEBSITE.

**VISIT US ONLINE AT
WWW.EDSONMARINE.COM**



STEERING COMPONENTS:

- | | |
|--|--|
| <p>1 FIG. 336-5-211T
1 FIG. 647ST-22-5
1 FIG. 77103

1 FIG. 776AL-4AL
1 FIG. 777-6.5
4 FIG. 646-4HEX
(A FIG. 697 STUFFING BOX/BEARING MAY BE REQUIRED)</p> | <p>CLASSIC PEDESTAL STEERER/TAPERED
DISHED DESTROYER WHEEL
CHAIN & WIRE ROPE KIT W/HARDWARE <i>[was 774-2S15B9]</i>
(1.5FT #50 CHAIN, 9FT 3/16" 7X19 305 SS WIRE ROPE)
ADJUSTABLE CROSSED WIRE IDLER
RADIAL DRIVE WHEEL
PEDESTAL MOUNTING BOLTS</p> |
|--|--|

CORONADO 25 (S-297-4)

