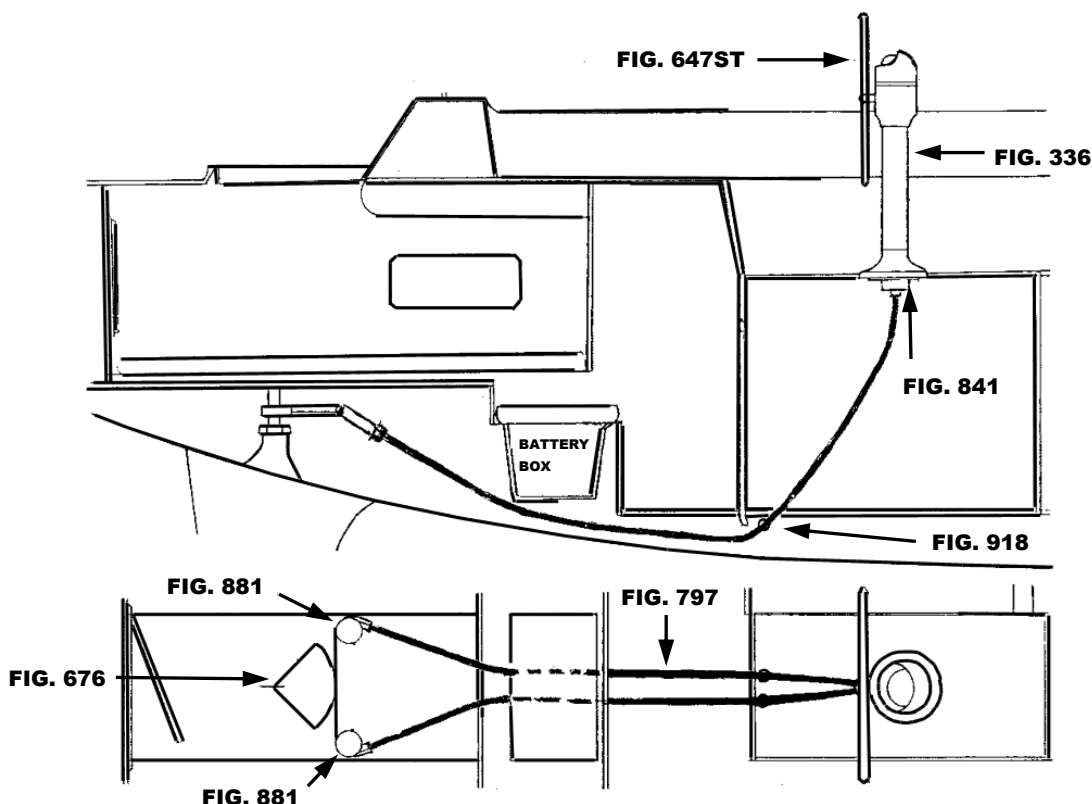


THIS SCHEMATIC IS INTENDED TO PROVIDE AN OUTLINE FOR DESIGNING YOUR SYSTEM. COMPLETE INSTRUCTIONS FOR INSTALLATION CAN BE FOUND IN OUR "PLANNING & INSTALLATION GUIDE", WHICH CAN BE FOUND ON OUR WEBSITE.

**VISIT US ONLINE AT
WWW.EDSONMARINE.COM**



STEERING COMPONENTS:

- | | |
|--------------------------|---|
| 1 FIG. 336-5-211T | CLASSIC PEDESTAL STEERER/TAPERED |
| 1 FIG. 647ST-24-5 | DISHED DESTROYER WHEEL |
| 1 FIG. 77115 | CHAIN & WIRE ROPE KIT W/HARDWARE <i>[was 774-2S2B22]</i> |
| <i>[cut @ 18"]</i> | <i>(2FT #50 CHAIN, 22FT 3/16" 7X19 305 SS WIRE ROPE)</i> |
| 1 FIG. 841-2 | DROP CONDUIT BRACKET |
| 2 FIG. 881BR-4AL | UPRIGHT CONDUIT IDLER |
| 2 FIG. 797-12 | PULL/PULL CONDUIT W/END FITTINGS |
| 2 FIG. 918-250 | IN LINE CONDUIT GREASERS |
| 1 FIG. 676BR-12 | LARGE BORE QUADRANT |
| 4 FIG. 646-4HEX | PEDESTAL MOUNTING BOLTS |
- (A FIG. 697 STUFFING BOX/BEARING MAY BE REQUIRED)**

CORONADO 35 (S-426-3)