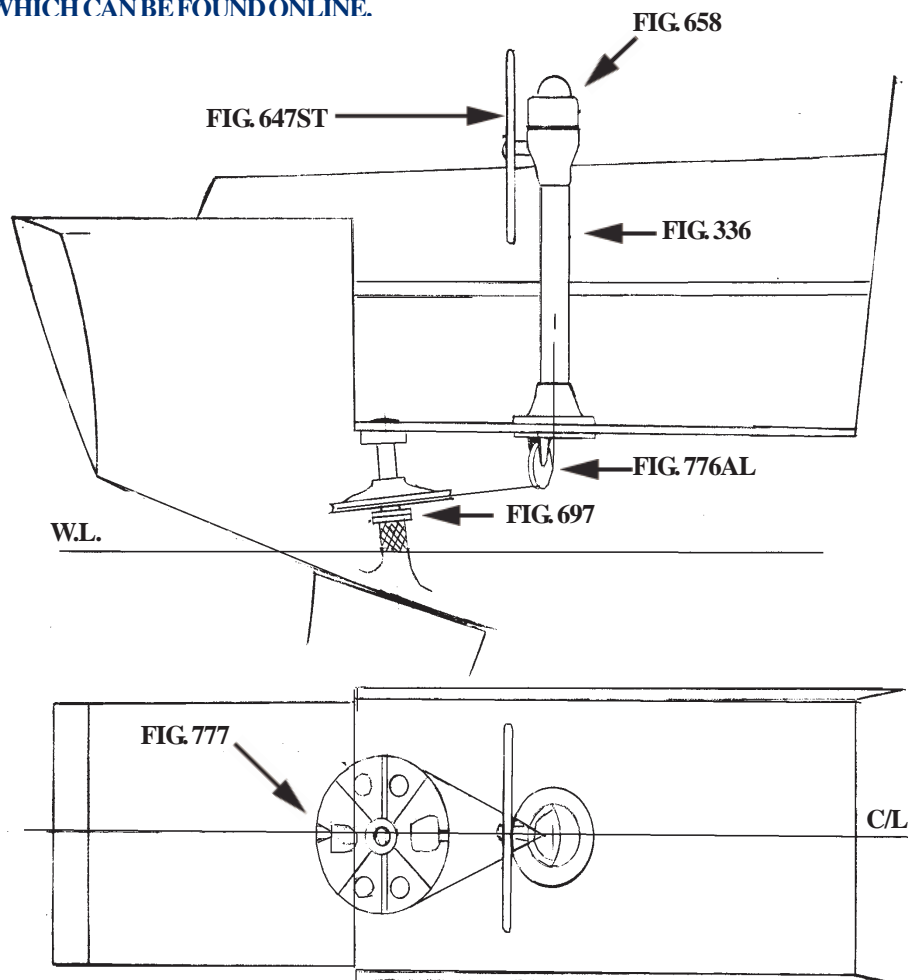




COURIER 26

THIS SCHEMATIC IS INTENDED TO PROVIDE AN OUTLINE FOR DESIGNING YOUR SYSTEM. COMPLETE INSTRUCTIONS FOR INSTALLATION CAN BE FOUND IN OUR "PLANNING & INSTALLATION GUIDE", WHICH CAN BE FOUND ONLINE.



VISIT US ONLINE AT
WWW.EDSONMARINE.COM

1 FIG. 336-5-211T
1 FIG. 647ST-20-5
1 FIG. 775-2S15B9
1 FIG. 776AL-4AL
1 FIG. 777-8
2 FIG. 618-1-312
4 FIG. 646-4HEX
4 FIG. 665ST-187
2 FIG. 643-187

(A FIG. 697 STUFFING BOX/BEARING MAY BE REQUIRED)

CLASSIC PEDESTAL STEERER-TAPERED
DISHED DESTROYER WHEEL
CHAIN & WIRE ROPE ASSEMBLY
ADJUSTABLE CROSSED WIRE IDLER
RADIAL DRIVE WHEEL
WIRE TAKEUPEYES
PEDESTAL MOUNTING BOLTS
WIRE ROPE CLAMPS
WIRE ROPE THIMBLES

