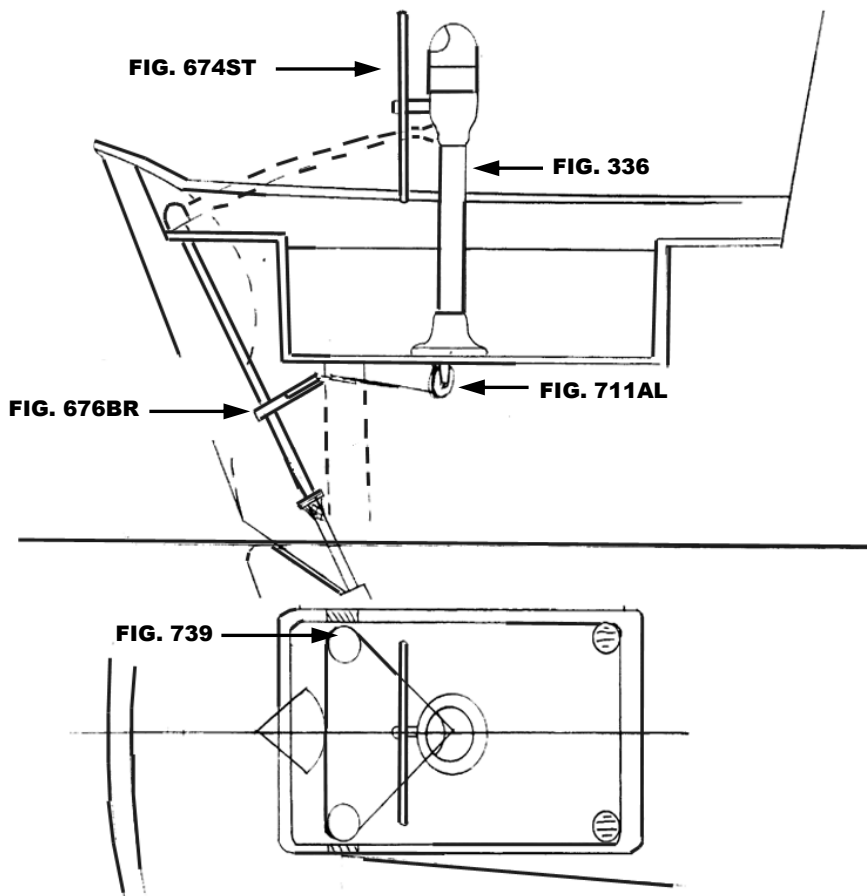


**THIS SCHEMATIC IS INTENDED TO PROVIDE AN OUTLINE FOR DESIGNING YOUR SYSTEM. COMPLETE INSTRUCTIONS FOR INSTALLATION CAN BE FOUND IN OUR "PLANNING & INSTALLATION GUIDE", WHICH CAN BE FOUND ON OUR WEBSITE.**

VISIT US ONLINE AT  
[WWW.EDSONMARINE.COM](http://WWW.EDSONMARINE.COM)



**STEERING COMPONENTS:**

- |   |   |
|---|---|
| 1 FIG. 336-5-211T                                 | <b>CLASSIC PEDESTAL STEERER/TAPERED</b>   |
| 1 FIG. 647ST-24-5                                 | <b>DISHED DESTROYER WHEEL</b>   |
| 1 FIG. 77111                                      | <b>CHAIN &amp; WIRE ROPE KIT W/HARDWARE [was 774-2S2B9]</b><br>(2FT #50 CHAIN, 9FT 3/16" 7X19 305 SS WIRE ROPE) |
| 2 FIG. 739-4-26                                   | <b>FIXED SHEAVE BRACKET A=26</b>  |
| 1 FIG. 711AL-4AL                                  | <b>ADJUSTABLE IDLER</b>   |
| 1 FIG. 676BR-12                                   | <b>MANGANESE BRONZE QUADRANT</b>  |
| 4 FIG. 646-4HEX                                   | <b>PEDESTAL MOUNTING BOLTS</b>  |
| (A FIG. 697 STUFFING BOX/BEARING MAY BE REQUIRED) |   |

DOWN EASTER 32 (S-813-1)