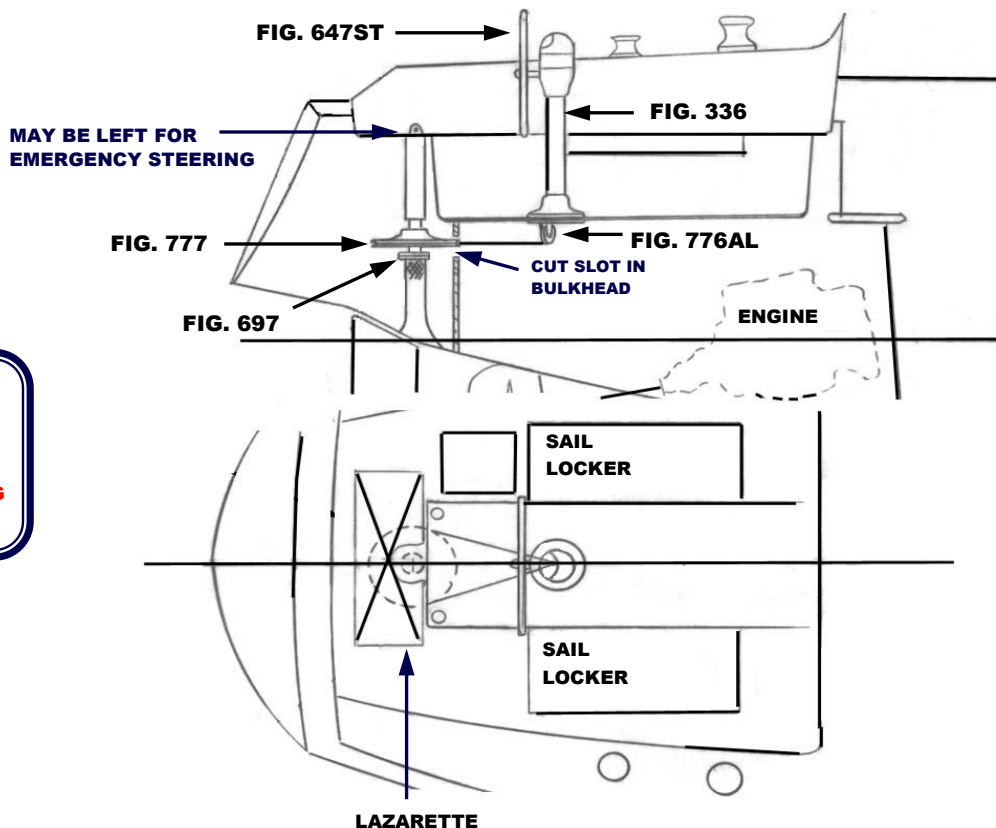




DUFOUR 31, 34 & 35

THIS SCHEMATIC IS INTENDED TO PROVIDE AN OUTLINE FOR DESIGNING YOUR SYSTEM. COMPLETE INSTRUCTIONS FOR INSTALLATION CAN BE FOUND IN OUR "PLANNING & INSTALLATION GUIDE", WHICH CAN BE FOUND ON OUR WEBSITE.

**VISIT US ONLINE AT
WWW.EDSONMARINE.COM**



NOTE:
**WIRES MUST BE
CROSSED WITHIN
PEDESTAL FOR
PROPER STEERING
DIRECTION**

STEERING COMPONENTS:

- 1 FIG. 336-5-211T CLASSIC PEDESTAL STEERER/TAPERED
 - 1 FIG. 647ST-26-5 DISHED DESTROYER WHEEL
 - 1 FIG. 77103 CHAIN & WIRE ROPE KIT W/HARDWARE [was 774-2S15B9]
(1.5FT #50 CHAIN, 9FT 3/16" 7X19 305 SS WIRE ROPE)
 - 1 FIG. 776AL-4AL ADJUSTABLE CROSSED WIRE IDLER
 - 1 FIG. 777-8 RADIAL DRIVE WHEEL
 - 4 FIG. 646-4HEX PEDESTAL MOUNTING BOLTS
- (A FIG. 697 STUFFING BOX/BEARING MAY BE REQUIRED)